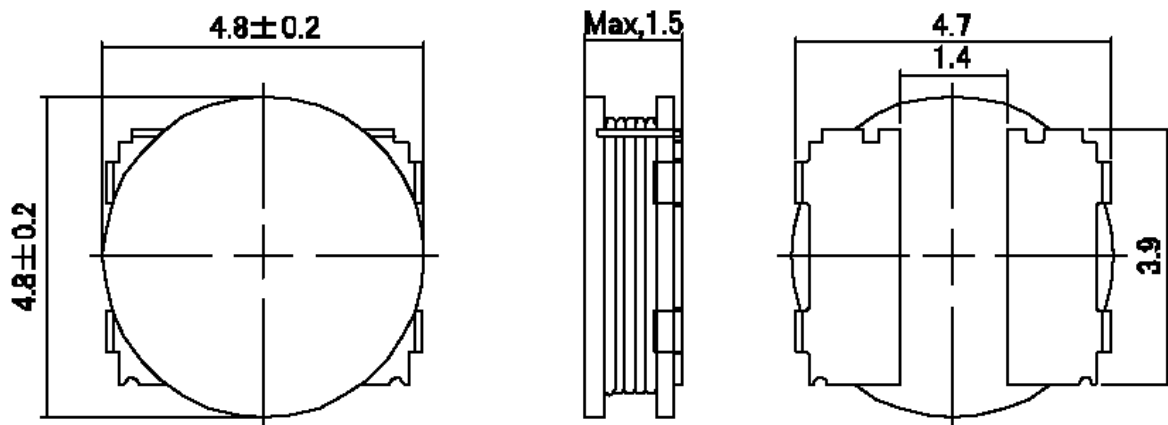
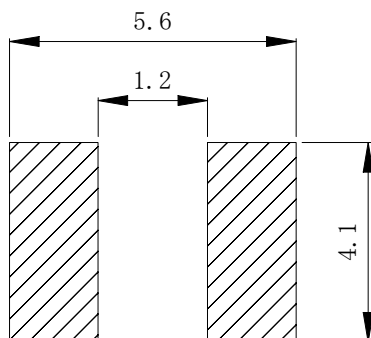


**Type: CDH48D14/SHP**
**◆ Product Description**

- 5.0×5.0mm Max.(L×W), 1.5mm Max. Height.
- Inductance range: 0.85~33  $\mu$  H
- Rated current range: 0.60~3.2A
- Custom design is available.


**◆ Feature**

- Magnetically unshielded construction.
- Ideally used in Mobilephone,PDA,MP3,DSC/DVC,HDD,etc as DC-DC Converter inductors.
- RoHS Compliance

**◆ Dimensions (mm)**

**◆ Land Pattern (mm)**


**Type: CDH48D14/SHP**
**◆ Specification**

Part Name ※	Stamp	Inductance ( $\mu$ H) 100kHz/1V	D.C.R. Max.(Typ.) ( $m\Omega$ )(20°C)	Saturation Current (A) ※1		Temperature Rise current (A) ※2
				20°C	105°C	
CDH48D14SHPNP-R85M□	R85	0.85 $\pm$ 20%	42.9(34.3)	4.5	3.7	3.2
CDH48D14SHPNP-1R2M□	1R2	1.2 $\pm$ 20%	51.9(41.5)	3.8	3.15	3.0
CDH48D14SHPNP-1R5M□	1R5	1.5 $\pm$ 20%	59.0(47.2)	3.5	2.9	2.8
CDH48D14SHPNP-2R0M□	2R0	2.0 $\pm$ 20%	68.6(54.9)	3.2	2.6	2.6
CDH48D14SHPNP-3R3M□	3R3	3.3 $\pm$ 20%	107(85.5)	2.5	2.05	2.05
CDH48D14SHPNP-4R7M□	4R7	4.7 $\pm$ 20%	145(116)	2.05	1.7	1.75
CDH48D14SHPNP-5R6M□	5R6	5.6 $\pm$ 20%	195(156)	1.82	1.5	1.45
CDH48D14SHPNP-6R8M□	6R8	6.8 $\pm$ 20%	215(172)	1.7	1.4	1.35
CDH48D14SHPNP-8R2M□	8R2	8.2 $\pm$ 20%	250(200)	1.6	1.3	1.3
CDH48D14SHPNP-100M□	100	10 $\pm$ 20%	269(215)	1.44	1.2	1.25
CDH48D14SHPNP-120M□	120	12 $\pm$ 20%	386(309)	1.3	1.05	1.05
CDH48D14SHPNP-150M□	150	15 $\pm$ 20%	434(347)	1.2	0.98	0.98
CDH48D14SHPNP-220M□	220	22 $\pm$ 20%	765(612)	0.97	0.78	0.73
CDH48D14SHPNP-330M□	330	33 $\pm$ 20%	1068(854)	0.8	0.65	0.60

**※ Description of part name**

CDH48D14SHPNP-1R2M□

□	B	Box
□	C	Carrier Tape

※1.Saturation Current: The DC current at which the inductance decreases to 70% of it's nominal value.

 ※2.Temperature rise current: The DC current at which the temperature rise is  $\Delta t=40^{\circ}\text{C}$ .( $T_a=20^{\circ}\text{C}$ )