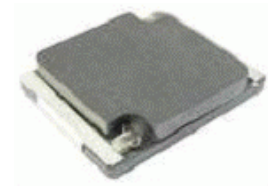


UNDER DEVELOPMENT

Type: CDPH10D22

◆ **Product Description**

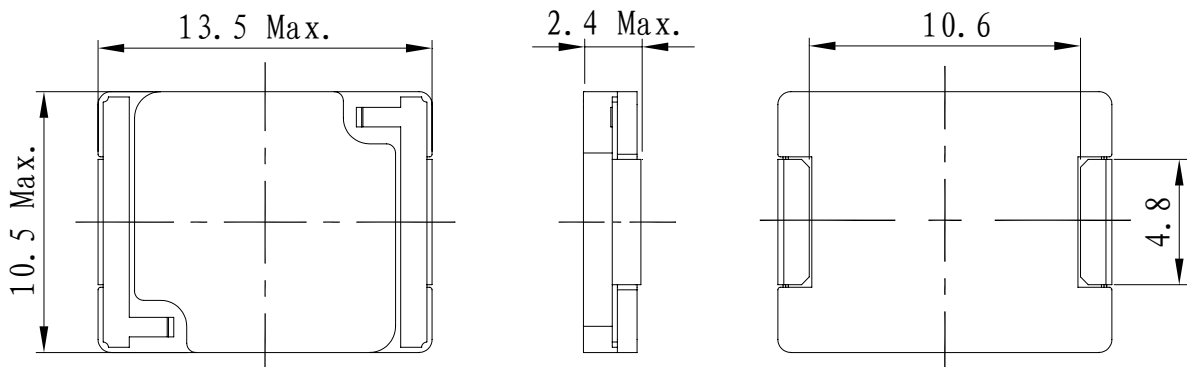
- 13.5×10.5mm Max.(L×W), 2.4mm Max. Height.
- Inductance range: 1.8~33 μH
- Rated current range: 1.26~3.6 A
- Custom design is available.



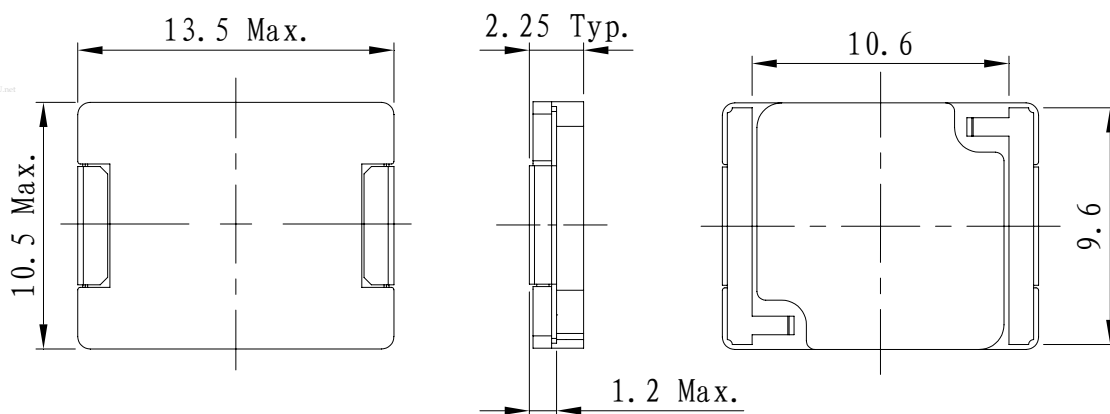
◆ **Feature**

- Magnetically shielded construction.
- High current inductor ideally used in white LED high power supply.
- RoHS Compliance.

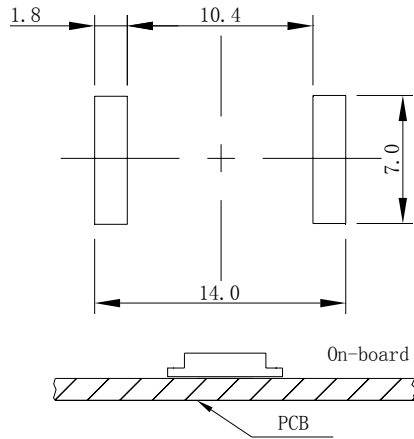
◆ **Dimensions (mm)**



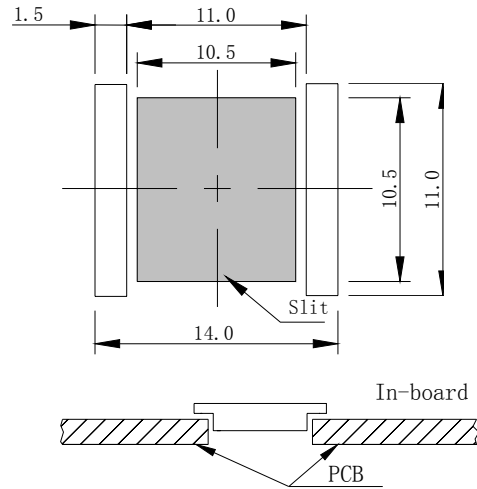
Surface mounting



Embedded mounting

Type: CDPH10D22
◆ Land Pattern (mm)


(Surface mounting)
(Part No. Without "B")



(Embedded mounting)
(Part No. with "B")

◆ Specification

Part Name	Stamp	Inductance (μ H) [Within] 100kHz/1.0V	D.C.R.(m Ω) Max. (Typ.) (at 20°C)	Saturation Current (A) (Typ.) ※1	Temperature Rise Current (A) (Typ.) ※2
CDPH10D22 (B) NP-1R8PC	1R8	1.80 \pm 25%	31 (25)	6.56 (8.20)	3.60(4.20)
CDPH10D22 (B) NP-2R7PC	2R7	2.70 \pm 25%	36 (29)	5.20 (6.50)	3.40(3.90)
CDPH10D22 (B) NP-3R3PC	3R3	3.30 \pm 25%	41 (33)	4.48 (5.60)	3.00(3.40)
CDPH10D22 (B) NP-4R7PC	4R7	4.70 \pm 25%	48 (38)	3.76(4.70)	2.94(3.37)
CDPH10D22 (B) NP-5R6PC	5R6	5.60 \pm 25%	56 (45)	3.46(4.33)	2.60(3.00)
CDPH10D22 (B) NP-7R5PC	7R5	7.50 \pm 25%	60 (48)	3.20 (4.00)	2.52(2.90)
CDPH10D22 (B) NP-8R2PC	8R2	8.20 \pm 25%	69 (55)	2.88 (3.60)	2.36(2.72)
CDPH10D22 (B) NP-100PC	100	10.0 \pm 25%	75 (60)	2.72 (3.40)	2.22(2.55)
CDPH10D22 (B) NP-120PC	120	12.0 \pm 25%	125 (100)	2.50 (3.12)	1.74(2.00)
CDPH10D22 (B) NP-150PC	150	15.0 \pm 25%	136 (109)	2.28 (2.85)	1.70(1.95)
CDPH10D22 (B) NP-180PC	180	18.0 \pm 25%	146 (117)	2.03 (2.54)	1.67(1.91)
CDPH10D22 (B) NP-200PC	200	20.0 \pm 25%	151 (121)	1.86(2.33)	1.57(1.80)
CDPH10D22 (B) NP-220PC	220	22.0 \pm 25%	163 (130)	1.85(2.31)	1.53(1.77)
CDPH10D22 (B) NP-240PC	240	24.0 \pm 25%	208 (166)	1.70(2.12)	1.33(1.52)
CDPH10D22 (B) NP-270PC	270	27.0 \pm 25%	221 (177)	1.64 (2.05)	1.30(1.50)
CDPH10D22 (B) NP-330PC	330	33.0 \pm 25%	256 (205)	1.50 (1.87)	1.26(1.44)

※1. Saturation Current: The DC current at which the inductance decreases to 70% of the nominal value.

※2. Temperature rise current: The DC current at which the temperature rise is $\Delta t=40^{\circ}\text{C}$. ($T_a=20^{\circ}\text{C}$)

※ This spec is not the final revision, and some parts may be changed before production.