

Type: CDPH28D11

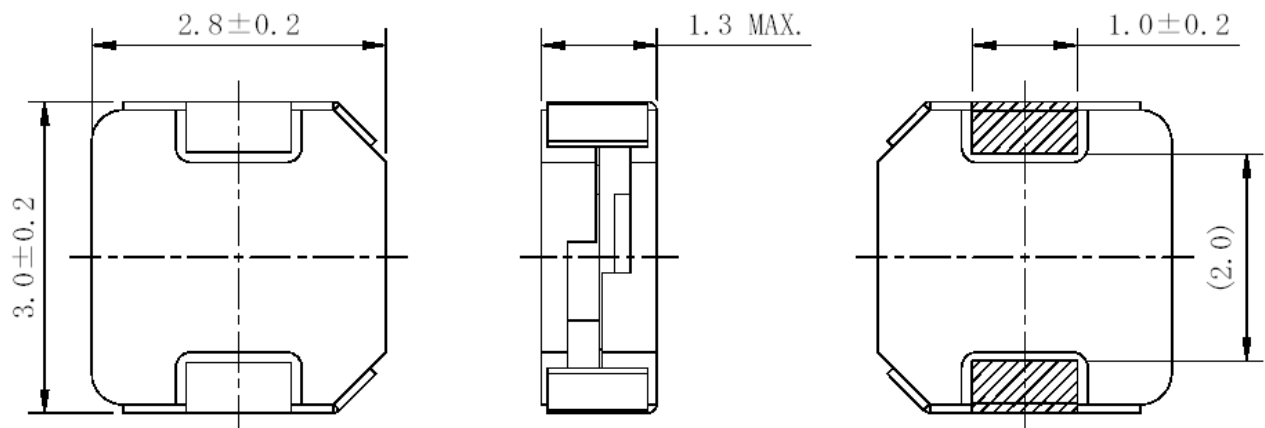
UNDER DEVELOPMENT

◆ Product Description

- 3.2×3.0mm Max.(L×W),1.3mm Max. Height.
- Inductance Range: 1.5~10 μ H.
- Rated current range:0.61~1.46A.
- Custom design is available.

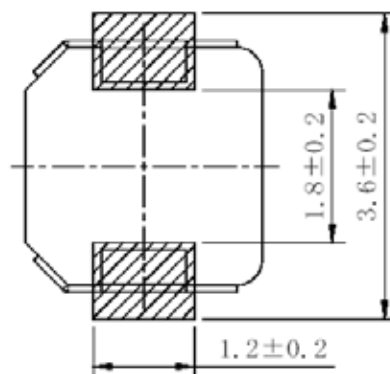
◆ Feature

- Magnetically shielded construction.
- Ideally used in Mobilephone,PDA,MP3,DSC/DVC,etc as DC-DC Converter inductors.
- RoHS Compliance.

◆ Dimensions (mm)


* Dimensions without tolerance are approx.

www.sumida.com

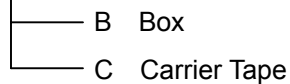
◆ Land Pattern (mm)


Type: CDPH28D11
◆ Specification

Part Name ※	Stamp	Inductance (μ H) 100kHz/1V	D.C.R.(m Ω) Max.(Typ.) (20°C)	Saturation Current (A) ※1	Temperature rise current (A) ※2
CDPH28D11NP-1R5N□	A	1.5 \pm 30%	70 (55)	1.46(1.83)	1.83 (2.08)
CDPH28D11NP-2R2M□	B	2.2 \pm 20%	95 (75)	1.18(1.48)	1.76 (1.98)
CDPH28D11NP-3R3M□	C	3.3 \pm 20%	120 (95)	1.06(1.33)	1.57(1.77)
CDPH28D11NP-4R7M□	D	4.7 \pm 20%	175 (140)	0.88(1.10)	1.25(1.41)
CDPH28D11NP-6R8M□	E	6.8 \pm 20%	250 (200)	0.67(0.84)	0.98(1.11)
CDPH28D11NP-7R2M□	F	7.2 \pm 20%	290 (230)	0.62(0.78)	1.01(1.14)
CDPH28D11NP-100M□	G	10.0 \pm 20%	400 (320)	0.61(0.76)	0.79(0.89)

※ Description of part name

CDPH28D11NP-1R5N□



※1.Saturation Current: The DC current at which the inductance decreases to 70% of it's nominal value .
(Ta=20°C)

※2.Temperature rise current: The DC current at which the temperature rise is $\Delta t=40^{\circ}\text{C}$.(Ta=20°C)