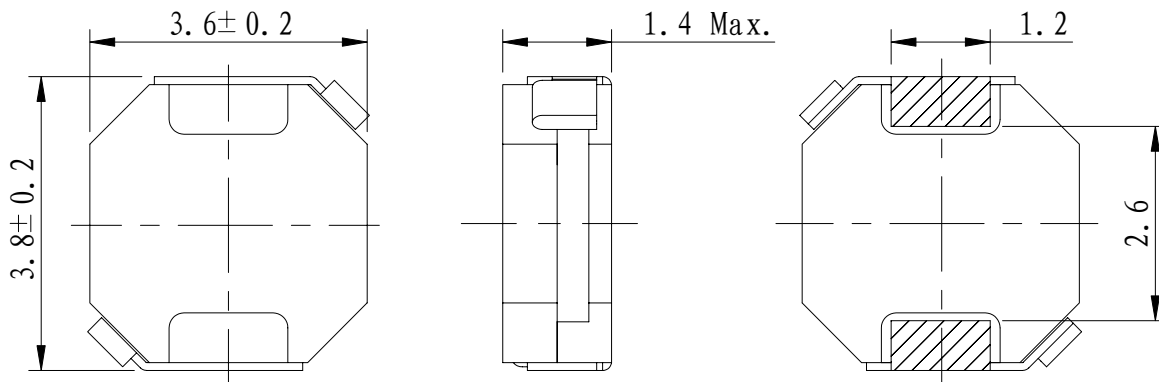


**Type: CDPH36D13F**
**UNDER DEVELOPMENT**
**◆ Product Description**

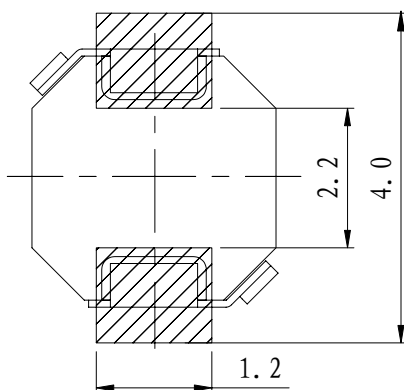
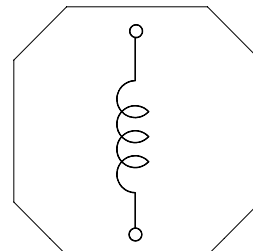
- 4.0×3.8mm Max.(L×W),1.4mm Max. Height.
- Inductance range: 0.68~12  $\mu$  H.
- Rated current range:0.66~3.0A.
- Custom design is available.


**◆ Feature**

- Magnetically shielded construction.
- Flat wire used.
- Ideally used in Mobile phone,PDA,MP3,DSC/DVC etc as DC-DC Converter inductors.
- RoHS Compliance.

**◆ Dimensions (mm)**


\* Dimensions without tolerance are approx.

**◆ Land Pattern (mm)**

**◆ CONNECTION (BOTTOM VIEW)**


**Type: CDPH36D13F**
**◆ Specification**

Part Name ※	Stamp	Inductance ( $\mu$ H) 100kHz/1.0V	D.C.R.(m $\Omega$ ) Max.(Typ.) (at 20°C)	Saturation current (A)※1	Temperature rise current (A)※2
CDPH36D13FNP-0R68PC	A	0.68 $\pm$ 25%	40(32)	3.92(4.90)	3.00(3.40)
CDPH36D13FNP-1R0PC	B	1.0 $\pm$ 25%	49(39)	3.20(4.00)	2.46(2.80)
CDPH36D13FNP-1R2PC	C	1.2 $\pm$ 25%	56(45)	3.12(3.90)	2.35(2.67)
CDPH36D13FNP-1R5PC	D	1.5 $\pm$ 25%	64(51)	2.64(3.30)	2.30(2.60)
CDPH36D13FNP-2R0MC	E	2.0 $\pm$ 20%	71(57)	2.62(3.28)	2.19(2.46)
CDPH36D13FNP-2R2MC	F	2.2 $\pm$ 20%	80(64)	2.49(3.11)	2.02(2.30)
CDPH36D13FNP-2R7MC	G	2.7 $\pm$ 20%	110(86)	2.06(2.58)	1.66(1.98)
CDPH36D13FNP-3R3MC	H	3.3 $\pm$ 20%	119(95)	1.96(2.45)	1.55(1.76)
CDPH36D13FNP-3R9MC	I	3.9 $\pm$ 20%	175(137)	1.85(2.31)	1.27(1.44)
CDPH36D13FNP-4R7MC	J	4.7 $\pm$ 20%	186(149)	1.60(2.00)	1.24(1.41)
CDPH36D13FNP-6R3MC	K	6.3 $\pm$ 20%	261(209)	1.50(1.88)	1.00(1.15)
CDPH36D13FNP-7R2MC	L	7.2 $\pm$ 20%	278(222)	1.26(1.57)	0.96(1.09)
CDPH36D13FNP-8R2MC	M	8.2 $\pm$ 20%	399(319)	1.17(1.46)	0.81(0.91)
CDPH36D13FNP-100MC	N	10.0 $\pm$ 20%	525(420)	1.05(1.31)	0.70(0.80)
CDPH36D13FNP-120MC	O	12.0 $\pm$ 20%	555(444)	1.02(1.28)	0.66(0.76)

**※ Description of part name**

CDPH36D13FNP-1R0P□

- B Box
- C Carrier Tape

※1.Saturation current: The DC current at which the inductance decreases to 70% of its nominal value.  
(Ta=20°C)

※2.Temperature rise current: The DC current at which the temperature rise is  $\Delta t=40^{\circ}\text{C}$  (Ta=20°C) .

※ This spec is not the final revision, and some parts may be changed before production.