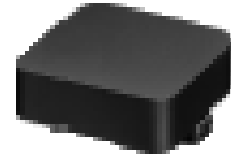
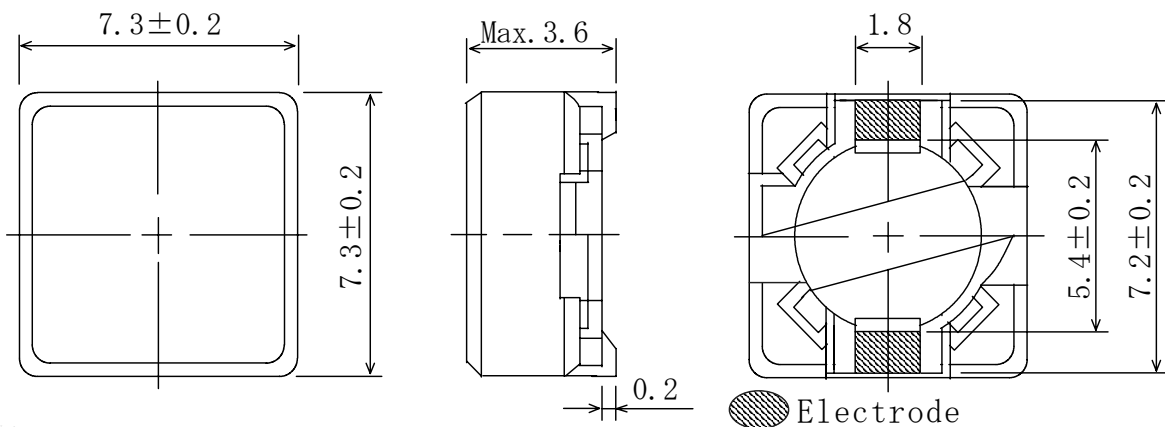
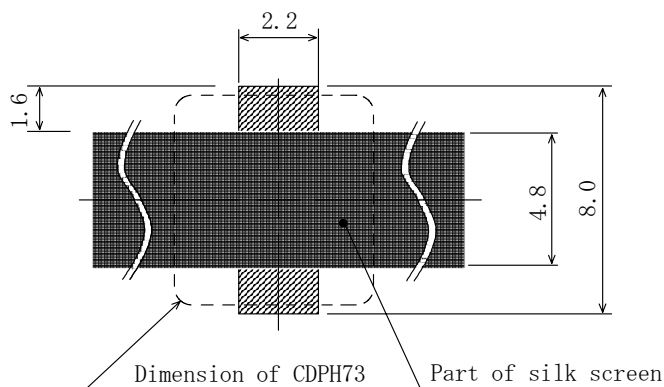


Type: CDPH73
◆ Product Description

- 7.5×7.5mm Max. (L×W), 3.6mm Max. height
- Inductance range 10~470 μ H
- Rated Current Range 0.2~1.4A
- In addition to the standard versions of inductors shown here, custom inductors are available to meet your exact requirements.


◆ Feature

- Magnetically shielded construction.
- Ideally Used in Notebook PC, DVD, LCD TV, Game machine, STB etc as DC-DC Converter inductors.
- RoHS Compliance.

◆ Dimensions (mm)

◆ Land Pattern (mm)


Type: CDPH73
◆ Specification

Part Name ※	Stamp	Inductance [Within] 100kHz/1V	D.C.R.(Ω) Max.(Typ.) (at 20℃)	Rated Current (A)※1
CDPH73NP-100N□	100	10 μH $\begin{matrix} +25 \\ -20\% \end{matrix}$	0.09(0.07)	1.40
CDPH73NP-120N□	120	12 μH $\begin{matrix} +25 \\ -20\% \end{matrix}$	0.10(0.080)	1.30
CDPH73NP-150N□	150	15 μH $\begin{matrix} +25 \\ -20\% \end{matrix}$	0.13 (0.10)	1.20
CDPH73NP-180N□	180	18 μH $\begin{matrix} +25 \\ -20\% \end{matrix}$	0.15 (0.11)	1.10
CDPH73NP-220N□	220	22 μH $\begin{matrix} +25 \\ -20\% \end{matrix}$	0.17 (0.13)	1.00
CDPH73NP-270N□	270	27 μH $\begin{matrix} +25 \\ -20\% \end{matrix}$	0.21 (0.16)	0.88
CDPH73NP-330N□	330	33 μH $\begin{matrix} +25 \\ -20\% \end{matrix}$	0.24 (0.18)	0.80
CDPH73NP-390N□	390	39 μH $\begin{matrix} +25 \\ -20\% \end{matrix}$	0.31 (0.24)	0.75
CDPH73NP-470N□	470	47 μH $\begin{matrix} +25 \\ -20\% \end{matrix}$	0.35 (0.27)	0.67
CDPH73NP-560N□	560	56 μH $\begin{matrix} +25 \\ -20\% \end{matrix}$	0.40 (0.30)	0.62
CDPH73NP-680N□	680	68 μH $\begin{matrix} +25 \\ -20\% \end{matrix}$	0.52 (0.40)	0.54
CDPH73NP-820N□	820	82 μH $\begin{matrix} +25 \\ -20\% \end{matrix}$	0.60 (0.45)	0.52
CDPH73NP-101N□	101	100 μH $\begin{matrix} +25 \\ -20\% \end{matrix}$	0.70 (0.55)	0.46
CDPH73NP-121N□	121	120 μH $\begin{matrix} +25 \\ -20\% \end{matrix}$	0.82 (0.63)	0.42
CDPH73NP-151N□	151	150 μH $\begin{matrix} +25 \\ -20\% \end{matrix}$	1.35 (1.05)	0.37
CDPH73NP-181N□	181	180 μH $\begin{matrix} +25 \\ -20\% \end{matrix}$	1.50 (1.15)	0.33

Type: CDPH73

Part Name ※	Stamp	Inductance [Within] 100kHz/1V	D.C.R.(mΩ) Max.(Typ.) (at 20℃)	Rated Current (A)※1
CDPH73NP-221N□	221	220 μH $\begin{matrix} +25 \\ -20\% \end{matrix}$	1.70 (1.30)	0.30
CDPH73NP-271N□	271	270 μH $\begin{matrix} +25 \\ -20\% \end{matrix}$	1.90 (1.50)	0.28
CDPH73NP-331N□	331	330 μH $\begin{matrix} +25 \\ -20\% \end{matrix}$	2.80 (2.14)	0.25
CDPH73NP-391N□	391	390 μH $\begin{matrix} +25 \\ -20\% \end{matrix}$	3.00 (2.30)	0.22
CDPH73NP-471N□	471	470 μH $\begin{matrix} +25 \\ -20\% \end{matrix}$	3.50 (2.70)	0.20

※ Description of part name

CDPH73NP-100N□

- B Box
- C Carrier Tape

※1 Rated current: The DC current at which the inductance decreases to 75% of its initial value or when $\Delta t=40^{\circ}\text{C}$, whichever is lower ($T_a=20^{\circ}\text{C}$).