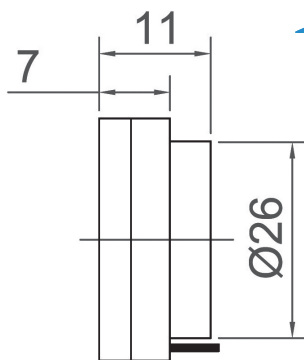
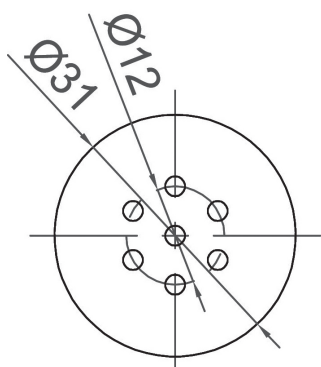
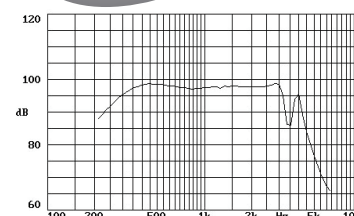


Dynamic Receiver



CDR3111

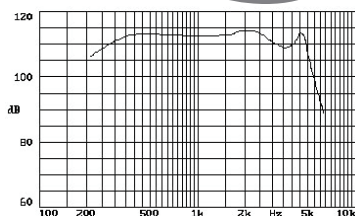
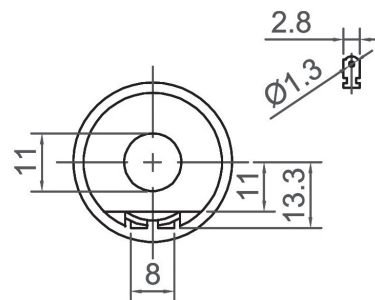
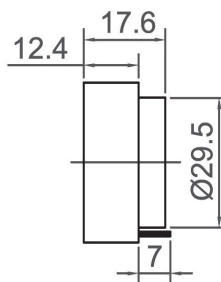
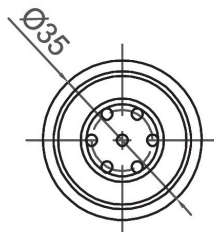


Canopus Part no.	Sensitivity At 1KHz (dB)	AC Impedance At 1KHz (Ω)	Input At 1KHz	Terminal	Housing	Weight (g)	HAC Compatible
CDR3111G093BE	93 \pm 3	150 \pm 20%	60mV	Plate	ABS	30	Optional

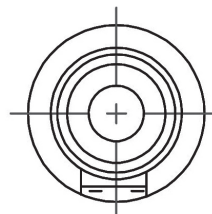
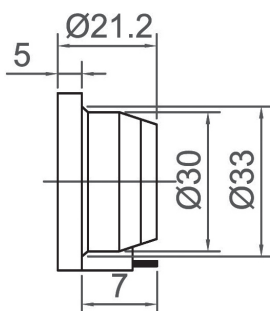
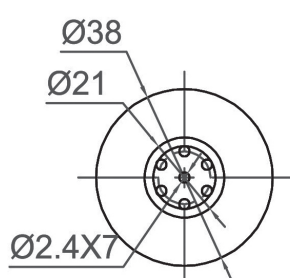
CANOPUS



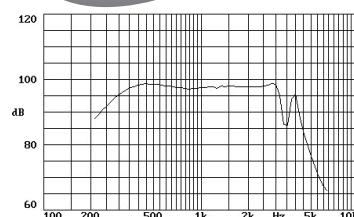
CDR3518



Canopus Part no.	Sensitivity At 1KHz (dB)	AC Impedance At 1KHz (Ω)	Input At 1KHz	Terminal	Housing	Weight (g)	HAC Compatible
CDR3518G110BE	110 \pm 3	150 \pm 20%	1mW	Plate	ABS	35	NIL



CDR3821



Canopus Part no.	Sensitivity At 1KHz (dB)	AC Impedance At 1KHz (Ω)	Input At 1KHz	Terminal	Housing	Weight (g)	HAC Compatible
CDR3821G096BE	96 \pm 3	150 \pm 20%	60mV	Plate	ABS	36	Optional

Your Efficient Supplier
www.canopus.com.hk

TEL.: (852) 2806 2812

Fax: (852) 2652 2216