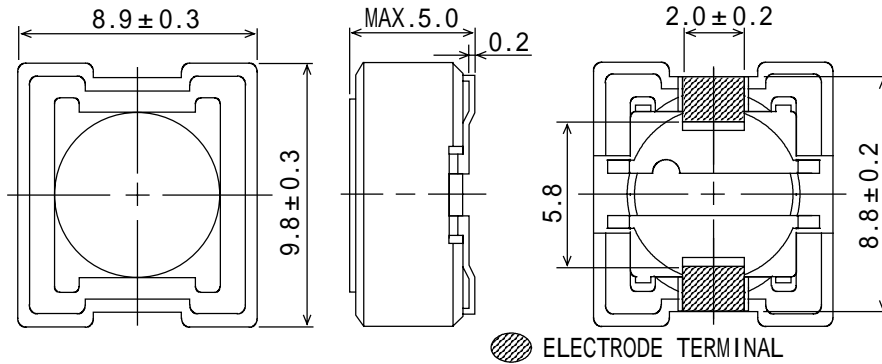


TYPE
CDRH104

SPECIFICATION

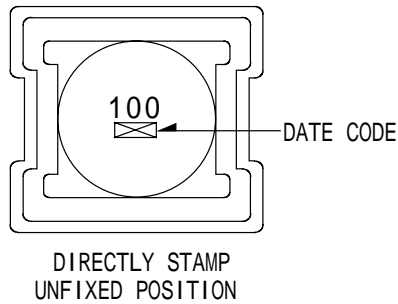
1 . APPEARANCE

1-1.DIMENSIONS(mm)

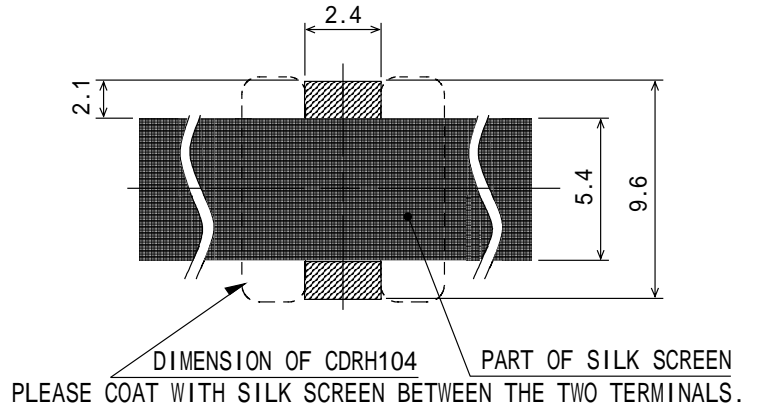


* DIMENSIONS WITHOUT TOLERANCE ARE APPROX.

1-2.STAMP(E.G.)

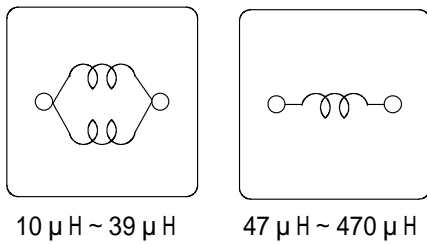


1-3.RECOMMENDED DIMENSIONS (mm)



2 . COIL SPECIFICATION

2-1.CONNECTION (BOTTOM VIEW)



RoHS
compliance
Cd:Max.0.01wt%
others:Max.0.1wt%

T Y P E C D R H 1 0 4

SPECIFICATION

2-2.ELECTRICAL CHARACTERISTICS (IN THE CASE OF REEL)

NO.	PART NO.	STAMP	INDUCTANCE [WITHIN] 1	D.C.R. () [MAX.] (at 20) 2	RATED CURRENT (A) 3	SUMIDA CODE
01	CDRH1Ø4NP-1ØØMC	100	10 µ H ± 20%	50m(37m)	2.40	4746-0270
02	CDRH1Ø4NP-12ØMC	120	12 µ H ± 20%	54m(40m)	2.25	4746-0271
03	CDRH1Ø4NP-15ØMC	150	15 µ H ± 20%	61m(45m)	2.00	4746-0272
04	CDRH1Ø4NP-18ØMC	180	18 µ H ± 20%	84m(63m)	1.80	4746-0273
05	CDRH1Ø4NP-22ØMC	220	22 µ H ± 20%	94m(69m)	1.65	4746-0274
06	CDRH1Ø4NP-27ØMC	270	27 µ H ± 20%	0.11(82m)	1.45	4746-0275
07	CDRH1Ø4NP-33ØMC	330	33 µ H ± 20%	0.15(0.11)	1.35	4746-0276
08	CDRH1Ø4NP-39ØMC	390	39 µ H ± 20%	0.17(0.13)	1.20	4746-0277
09	CDRH1Ø4NP-47ØMC	470	47 µ H ± 20%	0.21(0.15)	1.10	4746-0279
10	CDRH1Ø4NP-56ØMC	560	56 µ H ± 20%	0.23(0.17)	1.00	4746-0280
11	CDRH1Ø4NP-68ØMC	680	68 µ H ± 20%	0.26(0.20)	0.93	4746-0281
12	CDRH1Ø4NP-82ØMC	820	82 µ H ± 20%	0.36(0.27)	0.84	4746-0282
13	CDRH1Ø4NP-1Ø1MC	101	100 µ H ± 20%	0.41(0.30)	0.76	4746-0283
14	CDRH1Ø4NP-121MC	121	120 µ H ± 20%	0.45(0.34)	0.70	4746-0284
15	CDRH1Ø4NP-151MC	151	150 µ H ± 20%	0.64(0.47)	0.63	4746-0285
16	CDRH1Ø4NP-181MC	181	180 µ H ± 20%	0.84(0.62)	0.57	4746-0286
17	CDRH1Ø4NP-221MC	221	220 µ H ± 20%	0.96(0.71)	0.52	4746-0287
18	CDRH1Ø4NP-271MC	271	270 µ H ± 20%	1.07(0.79)	0.47	4746-0288
19	CDRH1Ø4NP-331MC	331	330 µ H ± 20%	1.37(1.05)	0.43	4746-0291
20	CDRH1Ø4NP-391MC	391	390 µ H ± 20%	1.55(1.19)	0.39	4746-0292
21	CDRH1Ø4NP-471MC	471	470 µ H ± 20%	1.74(1.34)	0.36	4746-0293

T Y P E C D R H 1 0 4

SPECIFICATION

2-3.ELECTRICAL CHARACTERISTICS (IN THE CASE OF BOX)

NO.	PART NO.	STAMP	INDUCTANCE [WITHIN] 1	D.C.R. () [MAX.] (at 20) 2	RATED CURRENT (A) 3	SUMIDA CODE
22	CDRH1Ø4NP-1ØØMB	100	10 μ H \pm 20%	50m(37m)	2.40	4746-0294
23	CDRH1Ø4NP-12ØMB	120	12 μ H \pm 20%	54m(40m)	2.25	4746-0295
24	CDRH1Ø4NP-15ØMB	150	15 μ H \pm 20%	61m(45m)	2.00	4746-0296
25	CDRH1Ø4NP-18ØMB	180	18 μ H \pm 20%	84m(63m)	1.80	4746-0297
26	CDRH1Ø4NP-22ØMB	220	22 μ H \pm 20%	94m(69m)	1.65	4746-0298
27	CDRH1Ø4NP-27ØMB	270	27 μ H \pm 20%	0.11(82m)	1.45	4746-0299
28	CDRH1Ø4NP-33ØMB	330	33 μ H \pm 20%	0.15(0.11)	1.35	4746-0300
29	CDRH1Ø4NP-39ØMB	390	39 μ H \pm 20%	0.17(0.13)	1.20	4746-0325
30	CDRH1Ø4NP-47ØMB	470	47 μ H \pm 20%	0.21(0.15)	1.10	4746-0326
31	CDRH1Ø4NP-56ØMB	560	56 μ H \pm 20%	0.23(0.17)	1.00	4746-0327
32	CDRH1Ø4NP-68ØMB	680	68 μ H \pm 20%	0.26(0.20)	0.93	4746-0328
33	CDRH1Ø4NP-82ØMB	820	82 μ H \pm 20%	0.36(0.27)	0.84	4746-0329
34	CDRH1Ø4NP-1Ø1MB	101	100 μ H \pm 20%	0.41(0.30)	0.76	4746-0330
35	CDRH1Ø4NP-121MB	121	120 μ H \pm 20%	0.45(0.34)	0.70	4746-0331
36	CDRH1Ø4NP-151MB	151	150 μ H \pm 20%	0.64(0.47)	0.63	4746-0332
37	CDRH1Ø4NP-181MB	181	180 μ H \pm 20%	0.84(0.62)	0.57	4746-0333
38	CDRH1Ø4NP-221MB	221	220 μ H \pm 20%	0.96(0.71)	0.52	4746-0335
39	CDRH1Ø4NP-271MB	271	270 μ H \pm 20%	1.07(0.79)	0.47	4746-0336
40	CDRH1Ø4NP-331MB	331	330 μ H \pm 20%	1.37(1.05)	0.43	4746-0337
41	CDRH1Ø4NP-391MB	391	390 μ H \pm 20%	1.55(1.19)	0.39	4746-0338
42	CDRH1Ø4NP-471MB	471	470 μ H \pm 20%	1.74(1.34)	0.36	4746-0339

1 : MEASURED FREQUENCY L at 1 kHz

2 : () TYPICAL VALUE.

3 : THIS INDICATES THE VALUE OF CURRENT WHEN THE INDUCTANCE IS 75% LOWER THAN ITS NOMINAL VALUE AT D.C. SUPERPOSITION OR D.C. CURRENT WHEN T=40 WHICH EVER IS LOWER. (Ta=20)

3 . STORAGE TEMPERATURE RANGE : - 40 ~ + 100

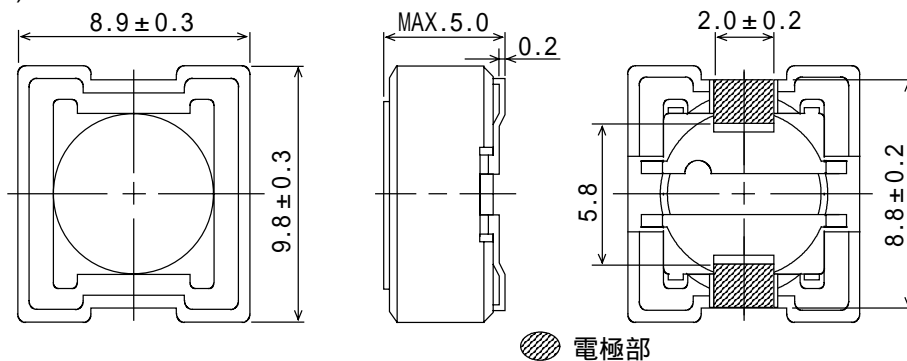
OPERATING TEMPERATURE RANGE: - 40 ~ + 100 (INCLUDING SELF TEMPERATURE RISE)

仕様書

形名
CDRH104

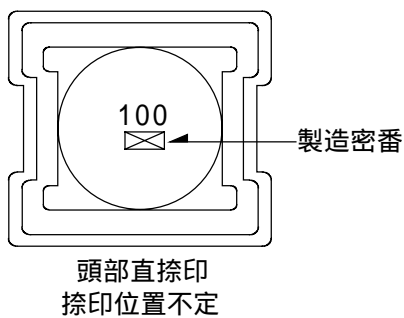
1. 外形

1-1. 寸法図 (mm)

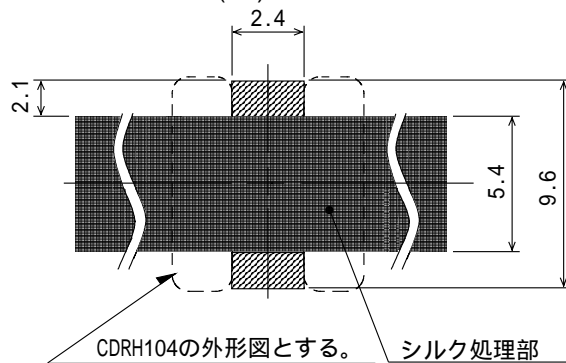


* 公差のない寸法は参考値とする。

1-2. 捺印表示例



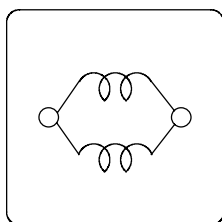
1-3. 推奨ランド寸法 (mm)



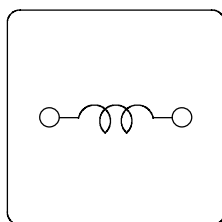
* 電極(端子)間の隙間はシルク処理をして御使用下さい。

2. COIL仕様

2-1. 端子接続図(裏面図)



10 μ H ~ 39 μ H



47 μ H ~ 470 μ H

RoHS
compliance
Cd: Max. 0.01wt%
others: Max. 0.1wt%

形名

CDRH104

仕様書

2-2. 電気的特性 (リール梱包の場合)

NO.	品名	表示	インダクタンス [以内] 1	D.C.R. () [以下] (at 20) 2	定格電流 (A) 3	スミダ コード
01	CDRH1Ø4NP-1ØØMC	100	10 μ H \pm 20%	50m(37m)	2.40	4746-0270
02	CDRH1Ø4NP-12ØMC	120	12 μ H \pm 20%	54m(40m)	2.25	4746-0271
03	CDRH1Ø4NP-15ØMC	150	15 μ H \pm 20%	61m(45m)	2.00	4746-0272
04	CDRH1Ø4NP-18ØMC	180	18 μ H \pm 20%	84m(63m)	1.80	4746-0273
05	CDRH1Ø4NP-22ØMC	220	22 μ H \pm 20%	94m(69m)	1.65	4746-0274
06	CDRH1Ø4NP-27ØMC	270	27 μ H \pm 20%	0.11(82m)	1.45	4746-0275
07	CDRH1Ø4NP-33ØMC	330	33 μ H \pm 20%	0.15(0.11)	1.35	4746-0276
08	CDRH1Ø4NP-39ØMC	390	39 μ H \pm 20%	0.17(0.13)	1.20	4746-0277
09	CDRH1Ø4NP-47ØMC	470	47 μ H \pm 20%	0.21(0.15)	1.10	4746-0279
10	CDRH1Ø4NP-56ØMC	560	56 μ H \pm 20%	0.23(0.17)	1.00	4746-0280
11	CDRH1Ø4NP-68ØMC	680	68 μ H \pm 20%	0.26(0.20)	0.93	4746-0281
12	CDRH1Ø4NP-82ØMC	820	82 μ H \pm 20%	0.36(0.27)	0.84	4746-0282
13	CDRH1Ø4NP-1Ø1MC	101	100 μ H \pm 20%	0.41(0.30)	0.76	4746-0283
14	CDRH1Ø4NP-121MC	121	120 μ H \pm 20%	0.45(0.34)	0.70	4746-0284
15	CDRH1Ø4NP-151MC	151	150 μ H \pm 20%	0.64(0.47)	0.63	4746-0285
16	CDRH1Ø4NP-181MC	181	180 μ H \pm 20%	0.84(0.62)	0.57	4746-0286
17	CDRH1Ø4NP-221MC	221	220 μ H \pm 20%	0.96(0.71)	0.52	4746-0287
18	CDRH1Ø4NP-271MC	271	270 μ H \pm 20%	1.07(0.79)	0.47	4746-0288
19	CDRH1Ø4NP-331MC	331	330 μ H \pm 20%	1.37(1.05)	0.43	4746-0291
20	CDRH1Ø4NP-391MC	391	390 μ H \pm 20%	1.55(1.19)	0.39	4746-0292
21	CDRH1Ø4NP-471MC	471	470 μ H \pm 20%	1.74(1.34)	0.36	4746-0293

仕 様 書

2-3.電気的特性 (箱梱包の場合)

NO.	品名	表示	インダクタンス [以内] 1	D.C.R. () [以下] (at 20) 2	定格電流 (A) 3	スミダ コード
22	CDRH1Ø4NP-1ØØMB	100	10 μ H \pm 20%	50m(37m)	2.40	4746-0294
23	CDRH1Ø4NP-12ØMB	120	12 μ H \pm 20%	54m(40m)	2.25	4746-0295
24	CDRH1Ø4NP-15ØMB	150	15 μ H \pm 20%	61m(45m)	2.00	4746-0296
25	CDRH1Ø4NP-18ØMB	180	18 μ H \pm 20%	84m(63m)	1.80	4746-0297
26	CDRH1Ø4NP-22ØMB	220	22 μ H \pm 20%	94m(69m)	1.65	4746-0298
27	CDRH1Ø4NP-27ØMB	270	27 μ H \pm 20%	0.11(82m)	1.45	4746-0299
28	CDRH1Ø4NP-33ØMB	330	33 μ H \pm 20%	0.15(0.11)	1.35	4746-0300
29	CDRH1Ø4NP-39ØMB	390	39 μ H \pm 20%	0.17(0.13)	1.20	4746-0325
30	CDRH1Ø4NP-47ØMB	470	47 μ H \pm 20%	0.21(0.15)	1.10	4746-0326
31	CDRH1Ø4NP-56ØMB	560	56 μ H \pm 20%	0.23(0.17)	1.00	4746-0327
32	CDRH1Ø4NP-68ØMB	680	68 μ H \pm 20%	0.26(0.20)	0.93	4746-0328
33	CDRH1Ø4NP-82ØMB	820	82 μ H \pm 20%	0.36(0.27)	0.84	4746-0329
34	CDRH1Ø4NP-1Ø1MB	101	100 μ H \pm 20%	0.41(0.30)	0.76	4746-0330
35	CDRH1Ø4NP-121MB	121	120 μ H \pm 20%	0.45(0.34)	0.70	4746-0331
36	CDRH1Ø4NP-151MB	151	150 μ H \pm 20%	0.64(0.47)	0.63	4746-0332
37	CDRH1Ø4NP-181MB	181	180 μ H \pm 20%	0.84(0.62)	0.57	4746-0333
38	CDRH1Ø4NP-221MB	221	220 μ H \pm 20%	0.96(0.71)	0.52	4746-0335
39	CDRH1Ø4NP-271MB	271	270 μ H \pm 20%	1.07(0.79)	0.47	4746-0336
40	CDRH1Ø4NP-331MB	331	330 μ H \pm 20%	1.37(1.05)	0.43	4746-0337
41	CDRH1Ø4NP-391MB	391	390 μ H \pm 20%	1.55(1.19)	0.39	4746-0338
42	CDRH1Ø4NP-471MB	471	470 μ H \pm 20%	1.74(1.34)	0.36	4746-0339

1: 測定周波数 L at 1 kHz

2: ()内は標準値とする。

3: 定格電流は直流重畳特性において定格電流を流した時、インダクタンスは公称インダクタンスの75%以上及びコイルの発熱は、 $t=40$ 以下とする。(Ta=20 を基準とする。)

3. 使用温度範囲 -40 ~ +100 (コイルの発熱を含む。)
 保存温度範囲 -40 ~ +100