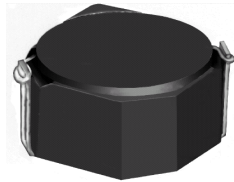


SMD Power Inductor CDRH3D28/LD



Description

- Ferrite drum core construction.
- Magnetically shielded.
- L × W × H: 4.0 × 4.0 × 3.0 mm Max.
- Product weight: 130mg (Ref.)
- Moisture Sensitivity Level: 1
- RoHS compliance.

Environmental Data

- Operating temperature range: -40°C~+105°C (including coil's self temperature rise)
- Storage temperature range: -40°C~+105°C
- Solder reflow temperature: 260 °C peak.

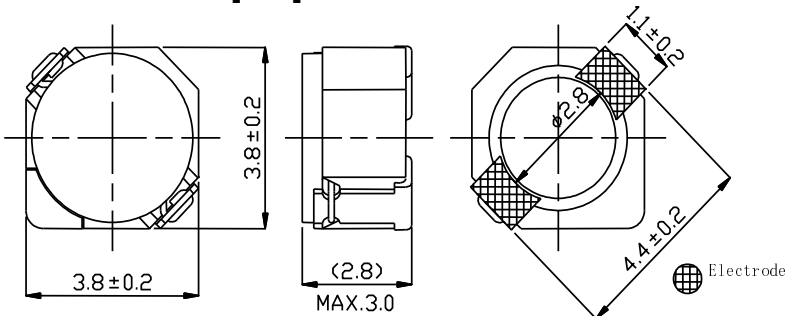
Packaging

- Carrier tape and reel packaging
- 7.0" diameter reel
- 500pcs per reel

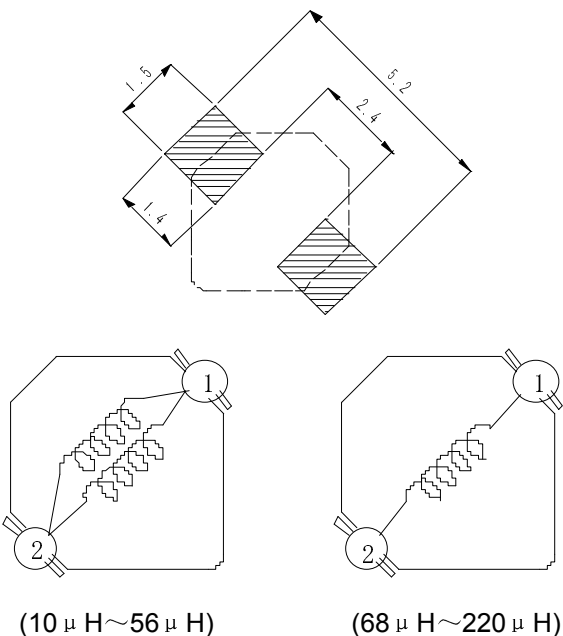
Applications

- Ideally used in Mobilephone, PDA, MP3, DSC/DVC, Portable DVD, etc. as DC-DC converter inductors.

Dimension - [mm]



Land pattern and Schematics - [mm]



SMD Power Inductor CDRH3D28/LD



Electrical Characteristics

| Part Name | Stamp | Inductance (μ H) [within] ※1 | D.C.R. (m Ω) Max. (Typ.) (at 20°C) | Saturation Current (A) ※2 | | Temperature Rise Current (A) ※3 |
|---------------------|-------|---|--|------------------------------|----------|---------------------------------------|
| | | | | at 20°C | at 105°C | |
| CDRH3D28/LDNP-100NC | A | 10 \pm 30% | 95(73) | 0.50 | 0.43 | 1.52 |
| CDRH3D28/LDNP-120NC | B | 12 \pm 30% | 100(80) | 0.45 | 0.38 | 1.48 |
| CDRH3D28/LDNP-150NC | C | 15 \pm 30% | 115(90) | 0.40 | 0.33 | 1.44 |
| CDRH3D28/LDNP-180NC | D | 18 \pm 30% | 125(100) | 0.35 | 0.30 | 1.37 |
| CDRH3D28/LDNP-220NC | E | 22 \pm 30% | 145(117) | 0.33 | 0.28 | 1.28 |
| CDRH3D28/LDNP-270NC | F | 27 \pm 30% | 175(140) | 0.29 | 0.26 | 1.18 |
| CDRH3D28/LDNP-330NC | G | 33 \pm 30% | 215(170) | 0.28 | 0.23 | 1.15 |
| CDRH3D28/LDNP-390NC | H | 39 \pm 30% | 225(180) | 0.25 | 0.21 | 1.00 |
| CDRH3D28/LDNP-470NC | J | 47 \pm 30% | 305(245) | 0.23 | 0.19 | 0.81 |
| CDRH3D28/LDNP-560NC | K | 56 \pm 30% | 325(260) | 0.20 | 0.17 | 0.76 |
| CDRH3D28/LDNP-680NC | L | 68 \pm 30% | 470(375) | 0.185 | 0.156 | 0.60 |
| CDRH3D28/LDNP-820NC | M | 82 \pm 30% | 540(430) | 0.172 | 0.142 | 0.58 |
| CDRH3D28/LDNP-101NC | N | 100 \pm 30% | 610(485) | 0.160 | 0.128 | 0.52 |
| CDRH3D28/LDNP-121NC | P | 120 \pm 30% | 755(605) | 0.136 | 0.116 | 0.50 |
| CDRH3D28/LDNP-151NC | Q | 150 \pm 30% | 880(705) | 0.124 | 0.106 | 0.48 |
| CDRH3D28/LDNP-181NC | R | 180 \pm 30% | 1130(905) | 0.119 | 0.095 | 0.42 |
| CDRH3D28/LDNP-221NC | S | 220 \pm 30% | 1270(1015) | 0.116 | 0.087 | 0.36 |

※1. Inductance measuring condition: at 100kHz.

※2. Saturation current: The value of D.C. current when the inductance decreases to 65% of its nominal value.

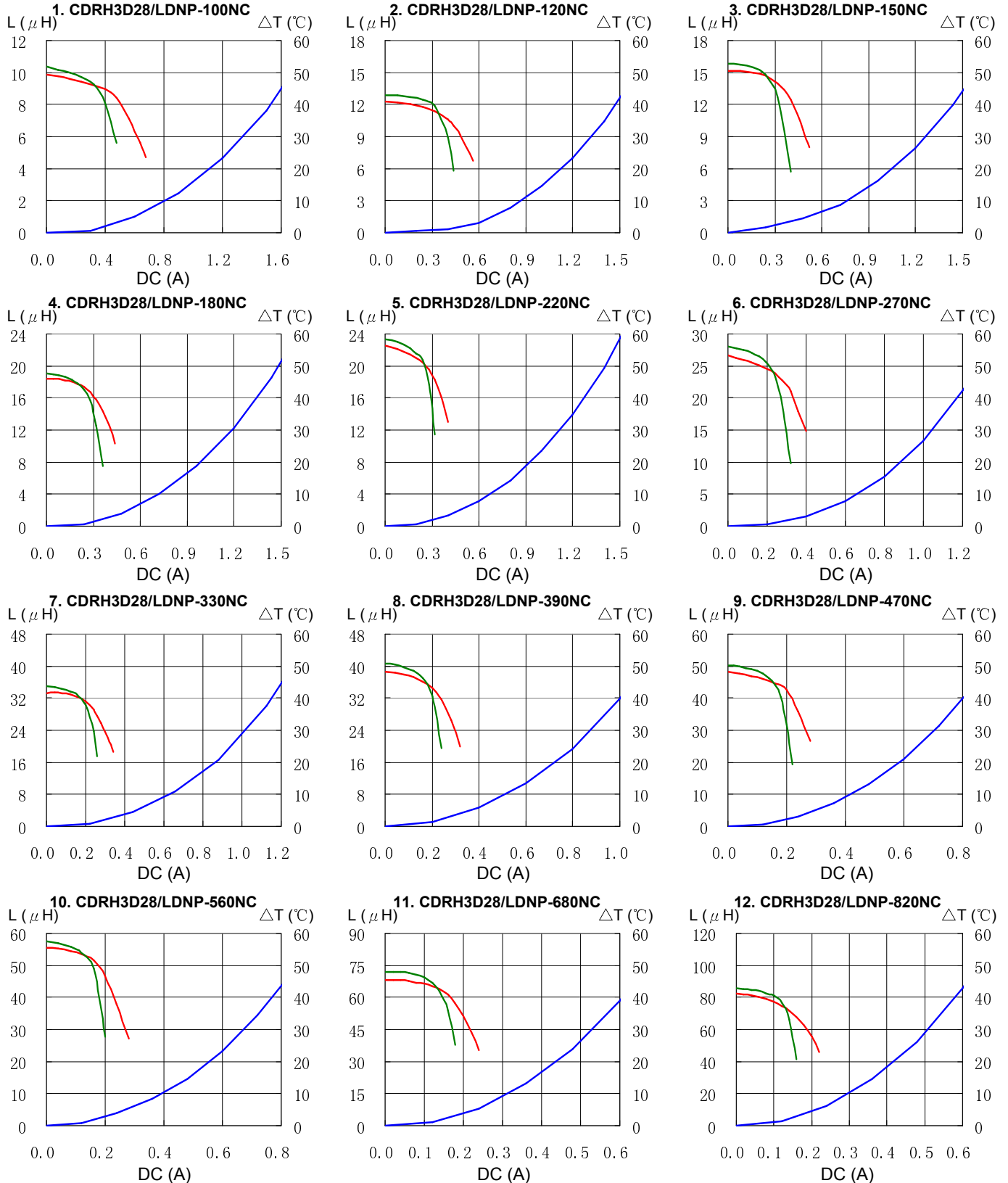
※3. Temperature rise current: The value of D.C. current when the temperature rise is $\Delta t=40^{\circ}\text{C}$ ($T_a=20^{\circ}\text{C}$).

SMD Power Inductor CDRH3D28/LD



Saturation Current & Temperature Rise Graph

— L (20°C) — L (100°C) — ΔT

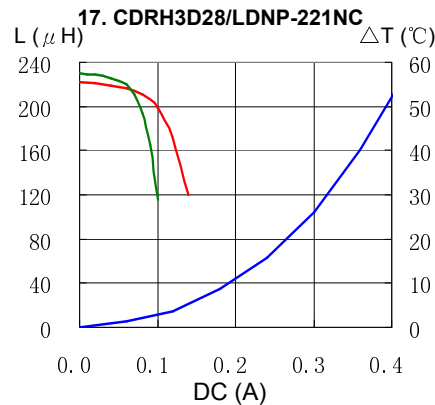
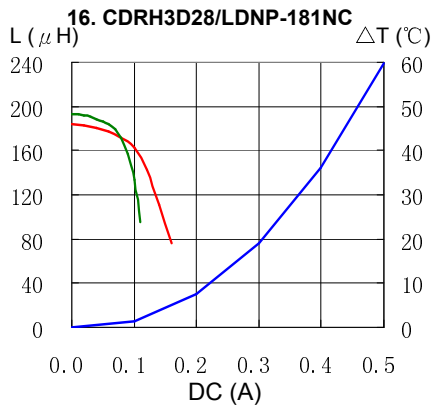
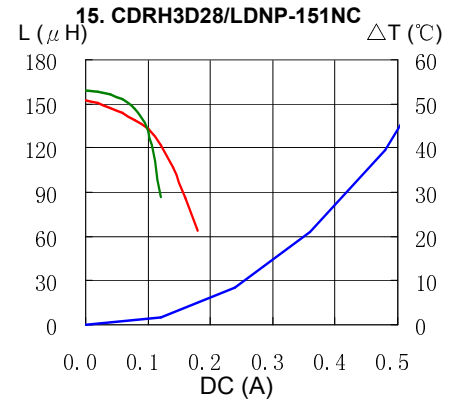
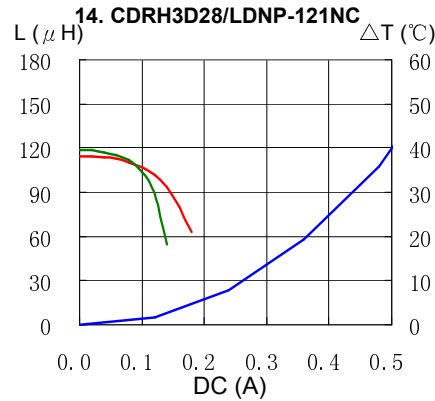
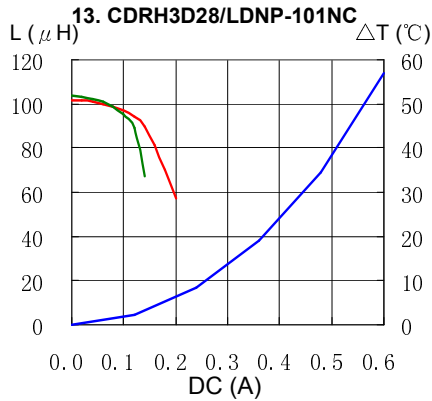


SMD Power Inductor CDRH3D28/LD

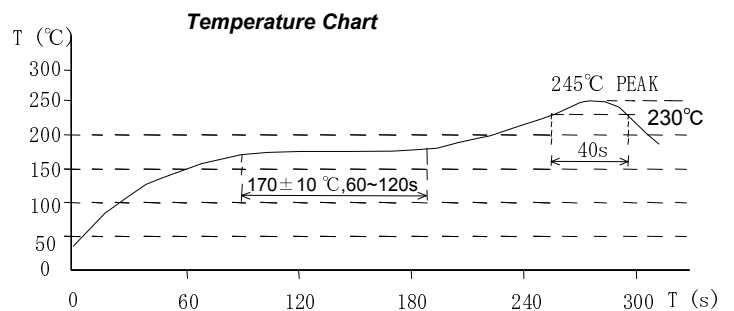
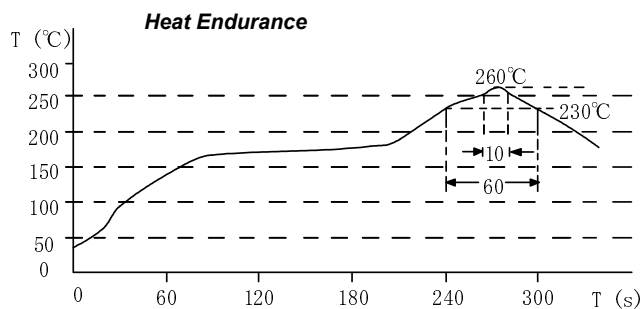


Saturation Current & Temperature Rise Graph

— L (20°C) — L (100°C) — ΔT



Solder Reflow Condition



Please refer to the sales offices on our website - <http://www.sumida.com>

Hong Kong
Tel.+852-2880-6781
FAX.+852-2565-9600
sales@hk.sumida.com

Saitama(Japan)
Tel.+81-48-691-7300
FAX.+81-48-691-7340
sales@jp.sumida.com

Chicago
Tel.+1-847-545-6700
FAX. +1-847-545-6720
sales@us.sumida.com

Shanghai
Tel.+86-21-5836-3299
FAX.+86-21-5836-3266
shanghai.sales@cn.sumida.com

Seoul
Tel.+82-2-6237-0777
FAX.+82-2-6237-0778
sales@kr.sumida.com

Oberzell
Tel.+49-8591-937-0
FAX. +49-8591-937-103
contact@eu.sumida.com

Shenzhen
Tel.+86-755-8291-0228
FAX.+86-755-8291-0338
shenzhen.sales@cn.sumida.com

Singapore
Tel.+65-6296-3388
FAX.+65-6841-4426
sales@sg.sumida.com

Neumarkt
Tel.+49-9181-4509-110
FAX. +49-9181-4509-310
infocomp@eu.sumida.com

Taipei
Tel.+886-2-8751-2737
FAX.+886-2-8751-2738
sales@tw.sumida.com

San Jose
Tel.+1-408-321-9660
FAX.+1-408-321-9308
sales@us.sumida.com