

# Power Inductor CDRH50D23/A



## ■ Features

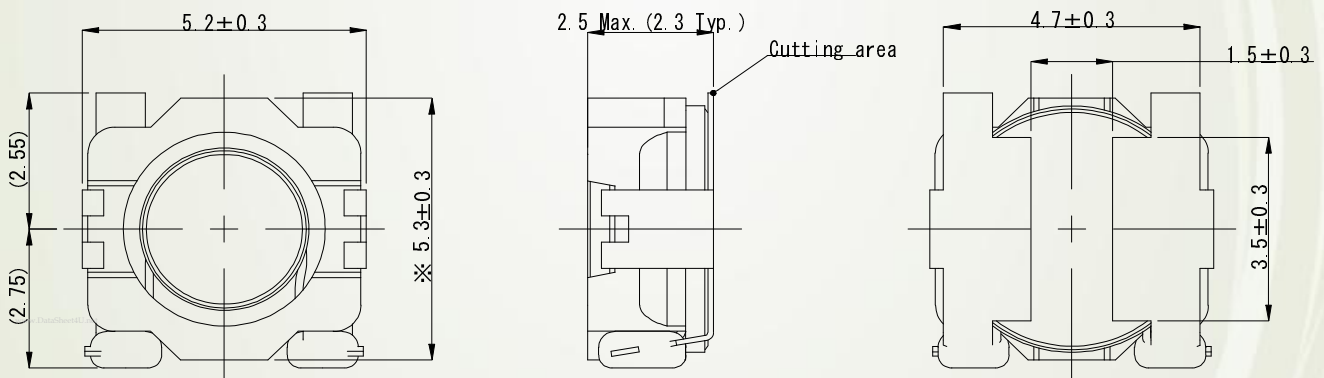
- ⊙ Magnetically shielded construction.
- ⊙ Storage temperature range:  $-40^{\circ}\text{C}\sim+85^{\circ}\text{C}$ .
- ⊙ Operating temperature range:  $-40^{\circ}\text{C}\sim+125^{\circ}\text{C}$   
(Not including coil's self-heat).
- ⊙ RoHS Compliance and Halogen Free.

## ■ Applications

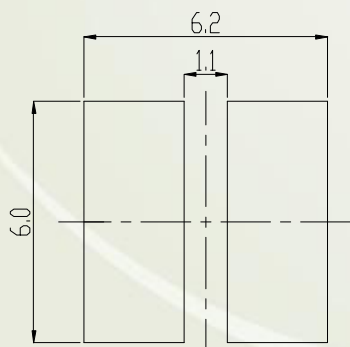
High temperature product, Used in automotive.

## ■ Dimensions/Recommended Land Patterns (mm)

### ◆ Dimensions



### ◆ Land pattern



# Power Inductor CDRH50D23/A



## ■ Electrical Characteristics specification.

Part No. ※	Stamp	Inductance ( $\mu$ H) ※1	D.C.R. (m $\Omega$ ) (at 20°C)	Rated Current (A) ※2 (at 125°C)
CDRH50D23ANP-4R7N□	A	4.7 $\pm$ 30%	84 (67)	1.23
CDRH50D23ANP-6R8N□	B	6.8 $\pm$ 30%	124 (99)	0.96
CDRH50D23ANP-100N□	C	10 $\pm$ 30%	189 (151)	0.82
CDRH50D23ANP-150N□	D	15 $\pm$ 30%	305 (244)	0.68
CDRH50D23ANP-220N□	E	22 $\pm$ 30%	390 (312)	0.53

※1 Measuring frequency inductance at 100kHz , 1.0V.

※2. Rated current: The DC current at which the inductance decreases to 65% of its nominal value or when  $\Delta t=30^{\circ}\text{C}$ , whichever is lower ( $T_a=20^{\circ}\text{C}$ ).

※ Description of part name

CDRH50D23ANP-4R7N □

- └─ B Box
- └─ C Carrier Tape

www.sumida.com

### For More Information

#### Hong Kong

Tel.+852-2880-6688  
FAX.+852-2565-9600

#### Tokyo

Tel.+81-3-5202-7112  
FAX.+81-3-5202-7105

#### Chicago

Tel.+1-847-545-6700  
FAX. +1-847-545-6720

#### Shanghai

Tel.+86-021-5836-3299  
FAX.+86-021-5836-3266

#### Seoul

Tel.+82-2-6237-0777  
FAX.+82-2-6237-0778

#### Oberzell

Tel.+49-8591-937-0  
FAX. +49-8591-937-103

#### Shenzhen

Tel.+86-755-8291-0228  
FAX.+86-755-8291-0338

#### Singapore

Tel.+65-6296-3388  
FAX.+65-6296-3390

#### Neumarkt

Tel.+49-9181-4509-110  
FAX. +49-9181-4509-310

#### Taipei

Tel.+886-2-8751-2737  
FAX.+886-2-8751-2738

#### San Jose

Tel.+1-408-321-9660  
FAX.+1-408-321-9308