

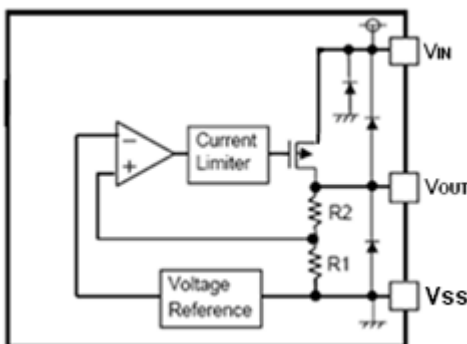
■ INTRODUCTION

The CE6219 Series are a group of positive voltage regulators manufactured by CMOS technologies with high ripple rejection, extremely low power consumption and low dropout voltage, which provide large output currents even when the difference of the input-output voltage is small. Thus the CE6219 series are very suitable for the battery-powered equipments, such as portable/palm computers, portable consumer equipments, industry equipments and so on, which want to prolong the using life of the battery.

■ APPLICATIONS

- Battery powered systems
- Portable instrumentations
- Radio control systems

■ BLOCK DIAGRAM



■ FEATURES

- Output Current: 300mA
- Output Voltage Range: 0.9V ~ 5.0V, (selectable in 0.1V steps)
- High Accuracy: ±2% (Typ.)
- Low Dropout Voltage: 150mV@100mA (3.0V Typ.)
- Excellent Line Regulation: 0.1%/V
- Built-in Current Limiter
- Built-in Short Circuit Protection
- Static safety: 2KV@HBM
- TC: 100ppm/°C
- Ceramic Capacitor Compatible

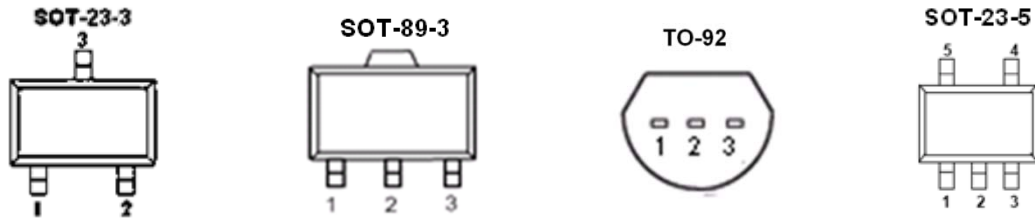
- Portable consumer equipments
- Portable/Palm computers
- Reference Voltage Sources

■ ORDER INFORMATION

CE6219①②③④

DESIGNATOR	SYMBOL	DESCRIPTION
①	P	Standard
②③	Integer	Output Voltage(0.9~5V) e.g:3.0V=②:3, ③:0
④	M	Package:SOT-23-3
	P	Package:SOT-89-3
	T	Package:TO-92
	MR	Package:SOT-23-5

■ PIN CONFIGURATION (Pin output sequence can be ordered by customer)



PIN NUMBER						PIN NAME	FUNCTION
SOT-23-3		SOT-89-3			TO-92		
M	MC	P	PT	PW	T		
1	3	1	2	1	1	V _{SS}	Ground
2	2	3	1	2	3	V _{OUT}	Output
3	1	2	3	3	2	V _{IN}	Power input

SOT-23-5

PIN NUMBER	SYMBOL	FUNCTION
1	V _{IN}	Power Input Pin
2	V _{SS}	Ground
3	NC	No Connection
4	NC	No Connection
5	V _{OUT}	Output Pin

■ ABSOLUTE MAXIMUM RATINGS

(Unless otherwise specified, Ta=25°C)

PARAMETER	SYMBOL	RATINGS	UNITS
Input Voltage	V _{IN}	V _{SS} -0.3~V _{SS} +8	V
Output Current	I _{OUT}	600	mA
Output Voltage	V _{OUT}	V _{SS} -0.3~V _{IN} +0.3	V
Power Dissipation	SOT-23-3	Pd	250
	SOT-23-5	Pd	250
	SOT-89-3	Pd	500
	TO-92	Pd	500
Operating Temperature	T _{opr}	-40~+85	°C
Storage Temperature	T _{stg}	-40~+125	°C
Soldering Temperature & Time	T _{solder}	260°C, 10s	

■ ELECTRICAL CHARACTERISTICS

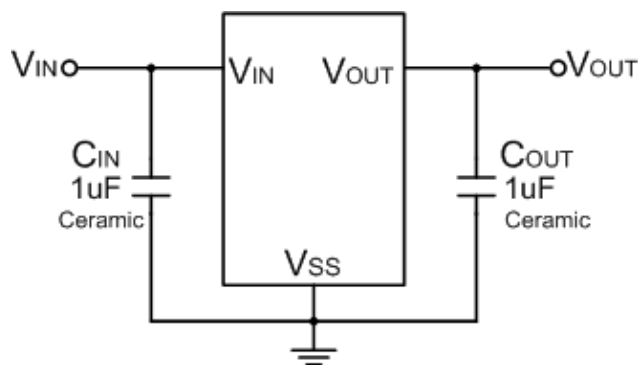
CE6219 Series ($V_{IN}=V_{OUT}+1V$, $C_{IN}=C_{OUT}=1\mu F$, $T_a=25^\circ C$, unless otherwise specified)

PARAMETER	SYMBOL	CONDITIONS	MIN	TYP	MAX	UNITS	
Output Voltage	$V_{OUT(E)}$ (Note 2)	$I_{OUT}=40mA$, $V_{IN}=V_{OUT}+1V$, $V_{IN}\geq 2V$	$1.5V < V_{OUT} \leq 5.0V$	V_{OUT} *0.98	V_{OUT} (Note 1)	V_{OUT} *1.02	V
			$0.9V \leq V_{OUT} \leq 1.5V$	V_{OUT} -0.03	V_{OUT}	V_{OUT} +0.03	V
Supply Current	I_{SS}	$V_{CE}=V_{IN}=V_{OUT}+1V$		5	10	μA	
Output Current	I_{OUT}	$V_{IN}\geq 2V$, $V_{IN}=V_{OUT}+1V$	300			mA	
Dropout Voltage (Note 3)	V_{dif1}	$I_{OUT} = 40mA$		60		mV	
	V_{dif2}	$I_{OUT} = 100mA$		150		mV	
Load Regulation	ΔV_{OUT}	$V_{IN}= V_{OUT} +1V$, $1mA \leq I_{OUT} \leq 100mA$		10		mV	
Line Regulation	$\frac{\Delta V_{OUT}}{\Delta V_{IN} * V_{OUT}}$	$I_{OUT} = 40mA$ $V_{OUT} +1V \leq V_{IN} \leq 6V$		0.1	0.3	%/V	
Output Voltage Temperature Characteristics	$\frac{\Delta V_{OUT}}{\Delta T * V_{OUT}}$	$I_{OUT} = 40mA$ $-40 \leq T \leq +85$		100		ppm/ $^\circ C$	
Power Supply Ripple Rejection	PSRR	$I_{OUT} = 10mA$ $f = 1KHz$		40		dB	
Short Current	I_{Short}	$V_{OUT} = V_{SS}$		30		mA	
Current Limit	I_{Lim}	$V_{IN}= V_{OUT} +1V$		600		mA	
Input Voltage	V_{IN}	—	2.0		6.0	V	

NOTE:

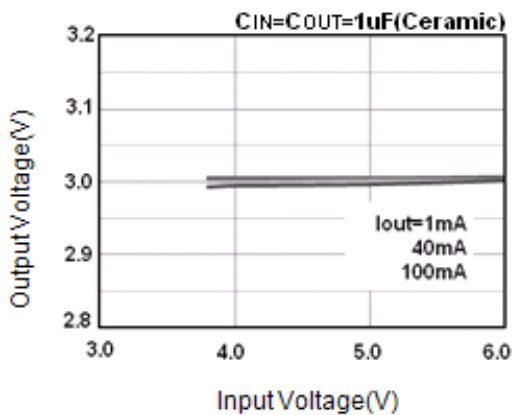
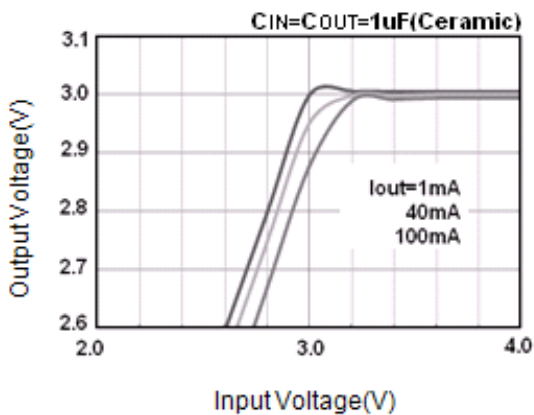
1. V_{OUT} : Specified Output Voltage.
2. $V_{OUT(E)}$: Effective Output Voltage (I.e. The Output Voltage When $V_{IN} = (V_{OUT} +1.0V)$ And Maintain A Certain I_{OUT} Value).
3. V_{dif} : The Difference Of Output Voltage And Input Voltage When Input Voltage Is Decreased Gradually Till Output Voltage Equals To 98% Of $V_{OUT(E)}$; When $V_{OUT} < 2.0V$, $V_{IN} \geq 2.0V$ Should be Guaranteed.

■ TYPICAL APPLICATION CIRCUIT

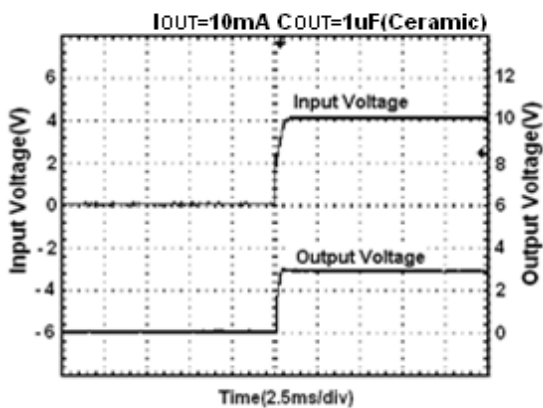
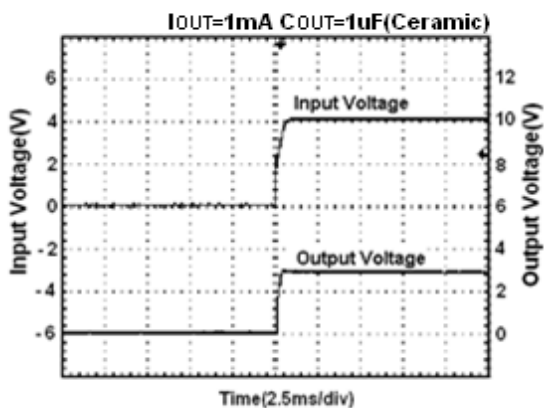


■ **TYPICAL PERFORMANCE CHARACTERISTICS** (CE6219P30P, for instance)

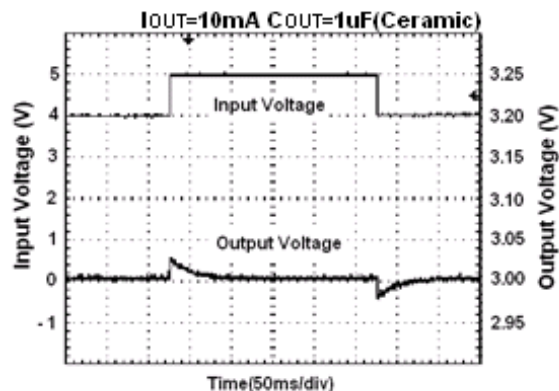
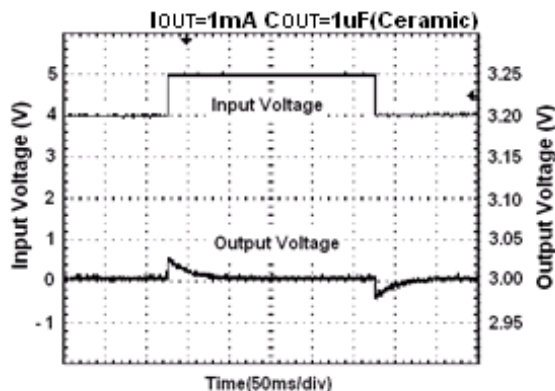
(1) **Output Voltage vs. Input Voltage**



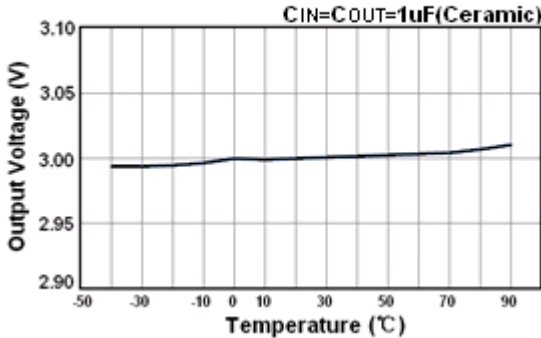
(2) **Input Transient Response 1**



(3) **Input Transient Response 2**

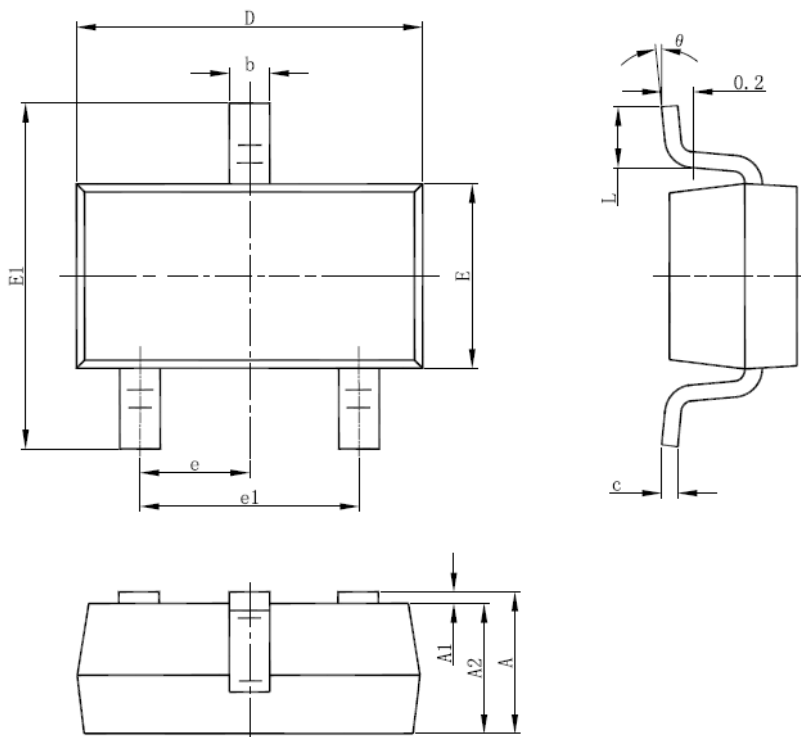


(4) Output Voltage vs. Temperature



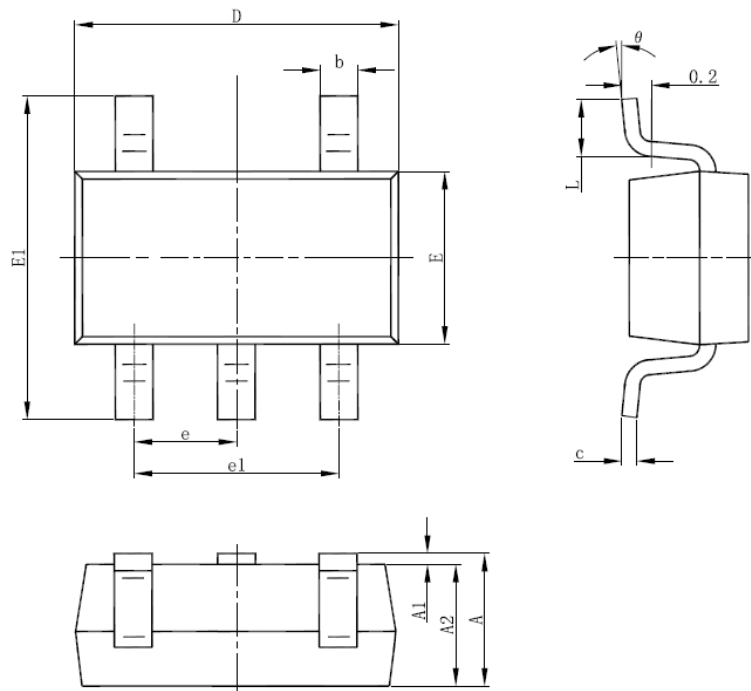
■ PACKAGING INFORMATION

● SOT-23-3 PACKAGE OUTLINE DIMENSIONS



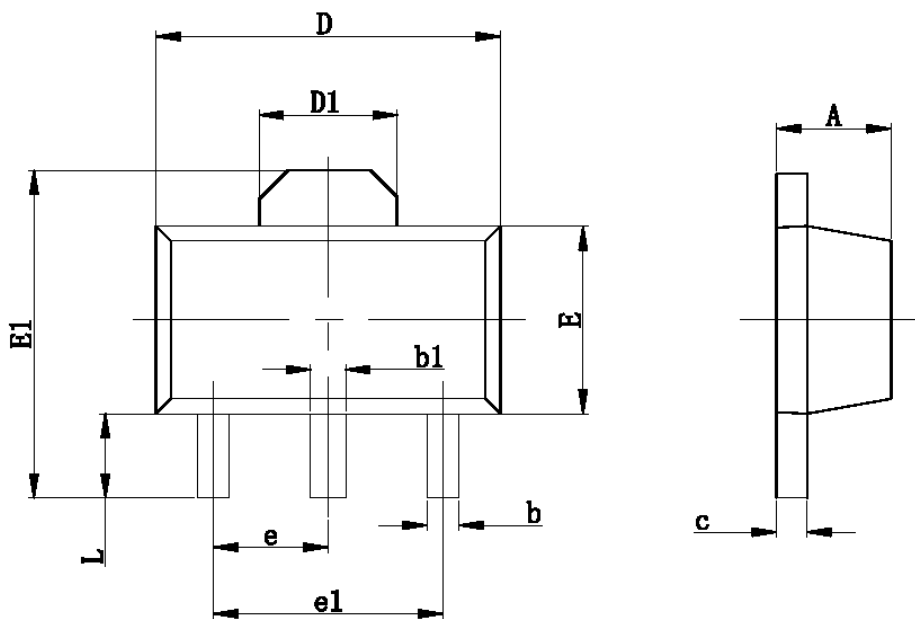
Symbol	Dimensions In Millimeters		Dimensions In Inches	
	Min	Max	Min	Max
A	1.050	1.250	0.041	0.049
A1	0.000	0.100	0.000	0.004
A2	1.050	1.150	0.041	0.045
b	0.300	0.500	0.012	0.020
c	0.100	0.200	0.004	0.008
D	2.820	3.020	0.111	0.119
E	1.500	1.700	0.059	0.067
E1	2.650	2.950	0.104	0.116
e	0.950(BSC)		0.037(BSC)	
e1	1.800	2.000	0.071	0.079
L	0.300	0.600	0.012	0.024
θ	0°	8°	0°	8°

● SOT-23-5 PACKAGE OUTLINE DIMENSIONS



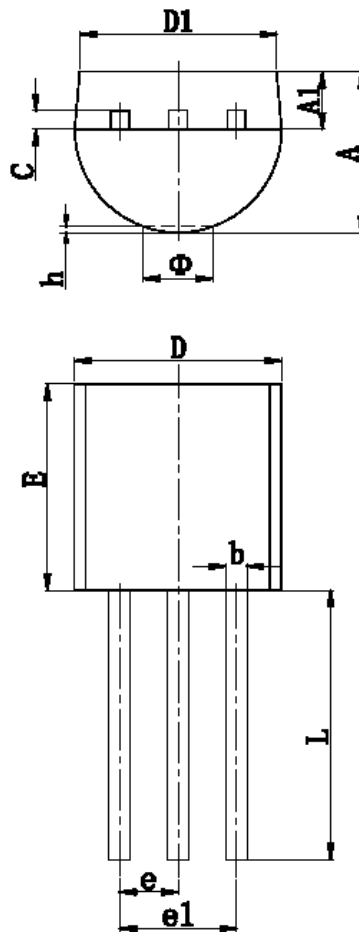
Symbol	Dimensions In Millimeters		Dimensions In Inches	
	Min	Max	Min	Max
A	1.050	1.250	0.041	0.049
A1	0.000	0.100	0.000	0.004
A2	1.050	1.150	0.041	0.045
b	0.300	0.500	0.012	0.020
c	0.100	0.200	0.004	0.008
D	2.820	3.020	0.111	0.119
E	1.500	1.700	0.059	0.067
E1	2.650	2.950	0.104	0.116
e	0.950(BSC)		0.037(BSC)	
e1	1.800	2.000	0.071	0.079
L	0.300	0.600	0.012	0.024
θ	0°	8°	0°	8°

• SOT-89-3 PACKAGE OUTLINE DIMENSIONS



Symbol	Dimensions In Millimeters		Dimensions In Inches	
	Min	Max	Min	Max
A	1.400	1.600	0.055	0.063
b	0.320	0.520	0.013	0.197
b1	0.400	0.580	0.016	0.023
c	0.350	0.440	0.014	0.017
D	4.400	4.600	0.173	0.181
D1	1.550 REF		0.061 REF	
E	2.300	2.600	0.091	0.102
E1	3.940	4.250	0.155	0.167
e	1.500 TYP		0.060 TYP	
e1	3.000 TYP		0.118 TYP	
L	0.900	1.200	0.035	0.047

• TO-92 PACKAGE OUTLINE DIMENSIONS



Symbol	Dimensions In Millimeters		Dimensions In Inches	
	Min	Max	Min	Max
A	3.300	3.700	0.130	0.146
A1	1.100	1.400	0.043	0.055
b	0.380	0.550	0.015	0.022
c	0.360	0.510	0.014	0.020
D	4.400	4.700	0.173	0.185
D1	3.430		0.135	
E	4.300	4.700	0.169	0.185
e	1.270 TYP		0.050 TYP	
e1	2.440	2.640	0.096	0.104
L	14.100	14.500	0.555	0.571
Φ		1.600		0.063
h	0.000	0.380	0.000	0.015

© Nanjing Chipower Electronics Inc.

Chipower cannot assume responsibility for use of any circuitry other than circuitry entirely embodied in a Chipower product. No circuit patent license, copyrights or other intellectual property rights are implied. Chipower reserves the right to make changes to their products or specifications without notice. Customers are advised to obtain the latest version of relevant information to verify, before placing orders, that information being relied on is current and complete.