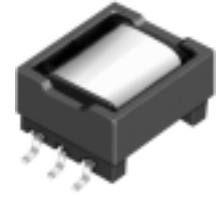
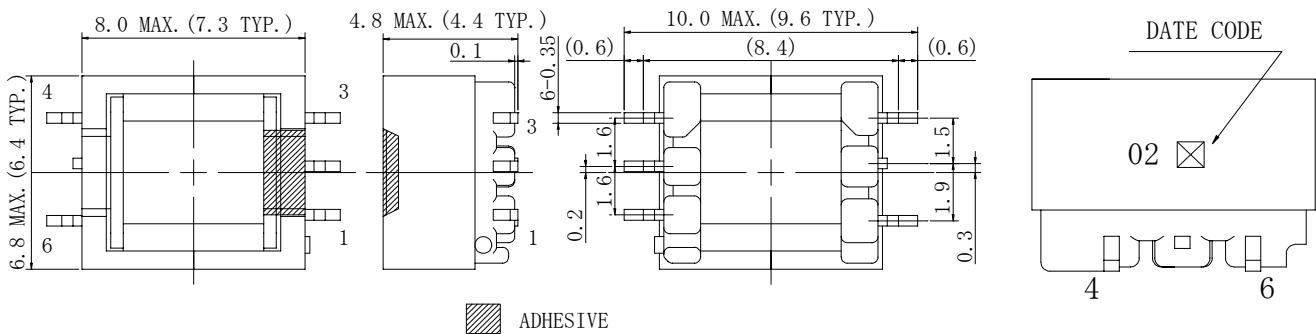
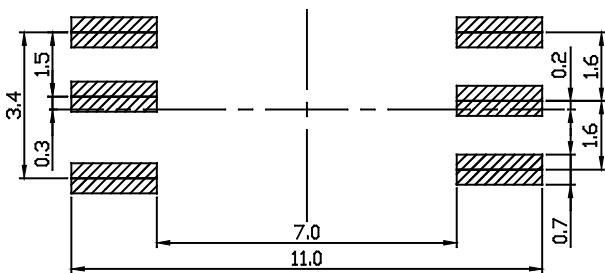
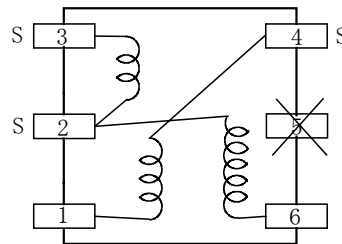


Type: CEEH64/TW
◆ Product Description

- 8.0×6.8mm Max.(L×W), 4.8mm Max. Height .
- In addition to the typical versions of parameters shown here, custom parameters are available to meet your exact requirements


◆ Feature

- Low loss ferrite core used.
- Special winding technique for high reliability.
- Step-up transformer for DSC strobe light.
- RoHS Compliance

◆ Dimensions (mm)

◆ Land Pattern (mm)

◆ Schematics (Bottom)


* Winding start is #2,3 and #4.

◆ Specification

Part No.	Stamp	Inductance (μH)(4-1) 1kHz	Input voltage (Vdc)	Output Voltage(V)	DC superposition permission current (4-1)(A) ※1
2308-T002	02	12.2±25%	3.5	280	2.2

※1. DC superposition permission current is the value at which the inductance decreases by 20% from its initial value.