

CF-LA

NEW

RoHS Compliance



UL C-US UL ENEC

Features

1. High in rush rocker switches
2. In rush 160A max.
3. Five kinds of terminal style
4. Temporarily dust proof type (IP40)
5. C-US UL,UL (TV-8), and ENEC listed.

Specifications

Rating	Max.	16A125V AC or 16A250V AC (Resistive load)
	Min.	AC/DC5V 10mA
Initial contact resistance	20mΩ max.	
Initial Dielectric strength	1500V AC 1minute.	
Initial insulation resistance	100MΩ min.	
Operating force	1~8N	
Electrical life	20,000 cycles	
Operating temperature range	-25~+85°C	
Storage temperature range	-40~+85°C	

Approvals

C-US UL, UL : E43275
 ENEC : SE/05105-04

Part Numbering

CF-LA - 2 K Z2 - 1

Series code Number of poles Switching function Terminal style Rocker design Packaging spec

Fig.	Number of poles
1	1 pole
2	2 poles

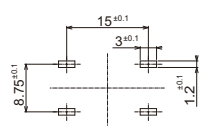
Code	Switching function
A	ON - OFF
K	ON - OFF

Code	Terminal style
C	P/C
C4	PC-R/A
C5	PC-L/A
L	Solder
Z2	TAB:#250

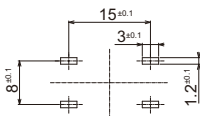
Fig.	Rocker design
1	Unfigured
2	●
3	○

Code	Packaging spec
Blank	Plastic bags
C	Card board tray

PC Hole Layouts

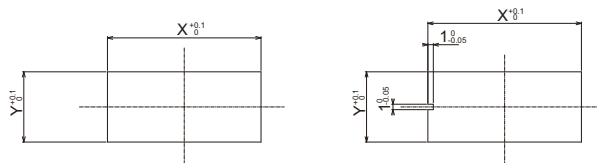


P/C

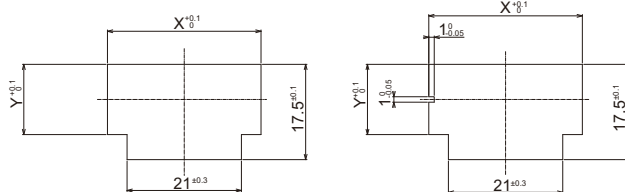


R/A, L/A

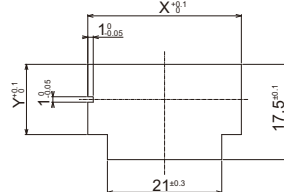
Panel Cut-Out Dimensions



P/C, TAB



R/A, L/A

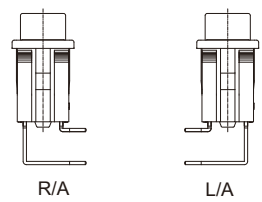


R/A

Panel thickness	X	Y
0.75~1.25	28.2	12.9
1.25以上~2	28.4	12.9
2~3	28.8	12.9

Terminal Styles

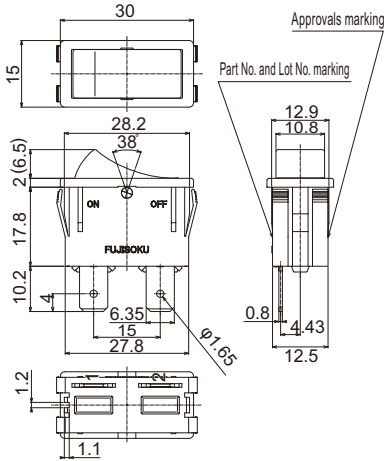
Solder (Style : L)	TAB#250 (Style : Z2)	P/C (Style : C)	R/A (Style : C4) L/A (Style : C5)



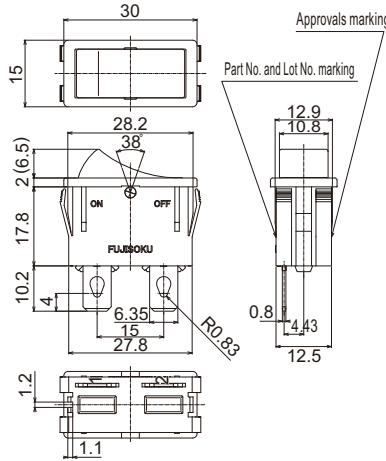
※ Only for 2 poles left angle terminal.

Outline dimensions

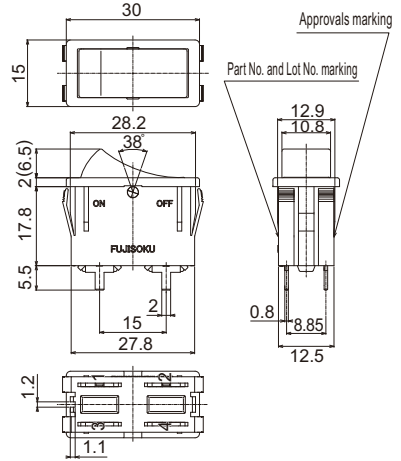
● Tab:#250 / 1 Pole



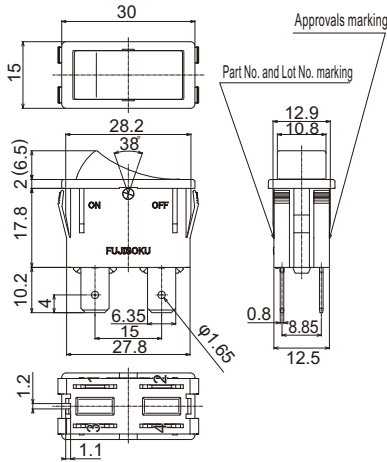
● Solder / 1 Pole



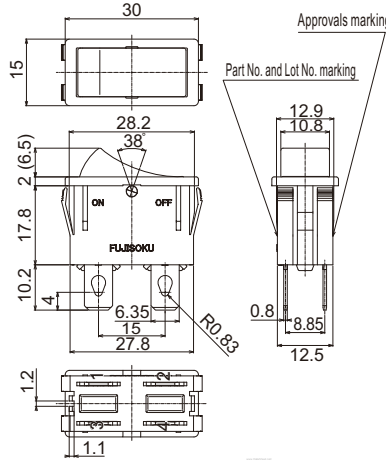
● P/C / 1 and 2 Poles



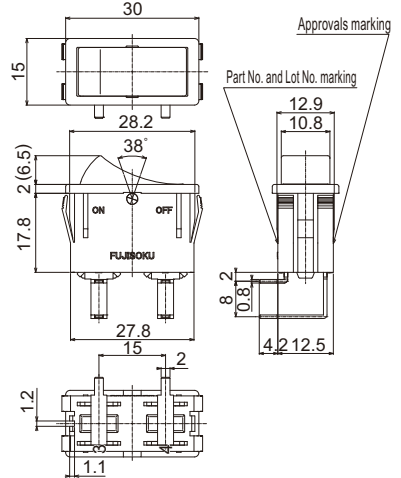
● Tab:#250 / 2 Poles



● Solder / 2 Poles



● PC-R/A / 2 Poles



List of part numbers

Number of poles	Switching function	Terminal style	Rocker design			Pieces in package	
			Unfigured	●	○		
1 Pole	ON—OFF	P/C	CF-LA-1AC-1C	CF-LA-1AC-2C	CF-LA-1AC-3C	Card board tray 100 pcs./pack	
		PC-R/A	CF-LA-1AC4-1C	CF-LA-1AC4-2C	CF-LA-1AC4-3C		
		Solder	CF-LA-1AL-1C	CF-LA-1AL-2C	CF-LA-1AL-3C		
		Tab:#250	CF-LA-1AZ2-1C	CF-LA-1AZ2-2C	CF-LA-1AZ2-3C		
2 Poles	ON—OFF	P/C	CF-LA-2KC-1C	CF-LA-2KC-2C	CF-LA-2KC-3C		
		PC-R/A	CF-LA-2KC4-1C	CF-LA-2KC4-2C	CF-LA-2KC4-3C		
		PC-L/A	CF-LA-2KC5-1C	CF-LA-2KC5-2C	CF-LA-2KC5-3C		
		Solder	CF-LA-2KL-1C	CF-LA-2KL-2C	CF-LA-2KL-3C		
2 Poles	ON—OFF	Tab:#250	CF-LA-2KZ2-1C	CF-LA-2KZ2-2C	CF-LA-2KZ2-3C		
		P/C	CF-LA-1AC-1	CF-LA-1AC-2	CF-LA-1AC-3		Plastic bags 5 pcs./pack
		PC-R/A	CF-LA-1AC4-1	CF-LA-1AC4-2	CF-LA-1AC4-3		
		Solder	CF-LA-1AL-1	CF-LA-1AL-2	CF-LA-1AL-3		
1 Pole	ON—OFF	Tab:#250	CF-LA-1AZ2-1	CF-LA-1AZ2-2	CF-LA-1AZ2-3		
		P/C	CF-LA-2KC-1	CF-LA-2KC-2	CF-LA-2KC-3		
		PC-R/A	CF-LA-2KC4-1	CF-LA-2KC4-2	CF-LA-2KC4-3		
		PC-L/A	CF-LA-2KC5-1	CF-LA-2KC5-2	CF-LA-2KC5-3		
2 Poles	ON—OFF	Solder	CF-LA-2KL-1	CF-LA-2KL-2	CF-LA-2KL-3		
		Tab:#250	CF-LA-2KZ2-1	CF-LA-2KZ2-2	CF-LA-2KZ2-3		

Soldering

(1) Auto soldering

Device : Jet wave or dip type
260°C 5~6sec Max.

● Preheat should be within 80-150°C, 180sec.

Applicable to PC terminals only.

(2) Hand soldering

Device : Solder iron
380°C Max. 3sec Max.

COPAL ELECTRONICS Group

FUJISOKU CORPORATION

