

CF3000A-DB Series

3 Phase & 3 lines 250VAC

Inquire

PCB Assembly Type

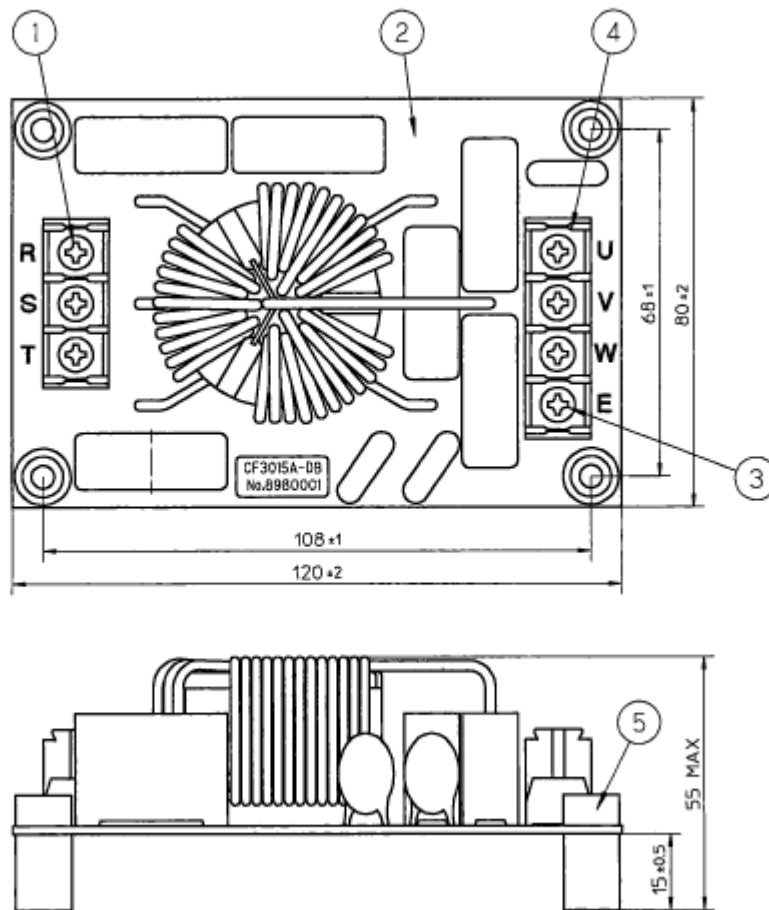
Application

Inverter/UPS/Industrial equipment etc.

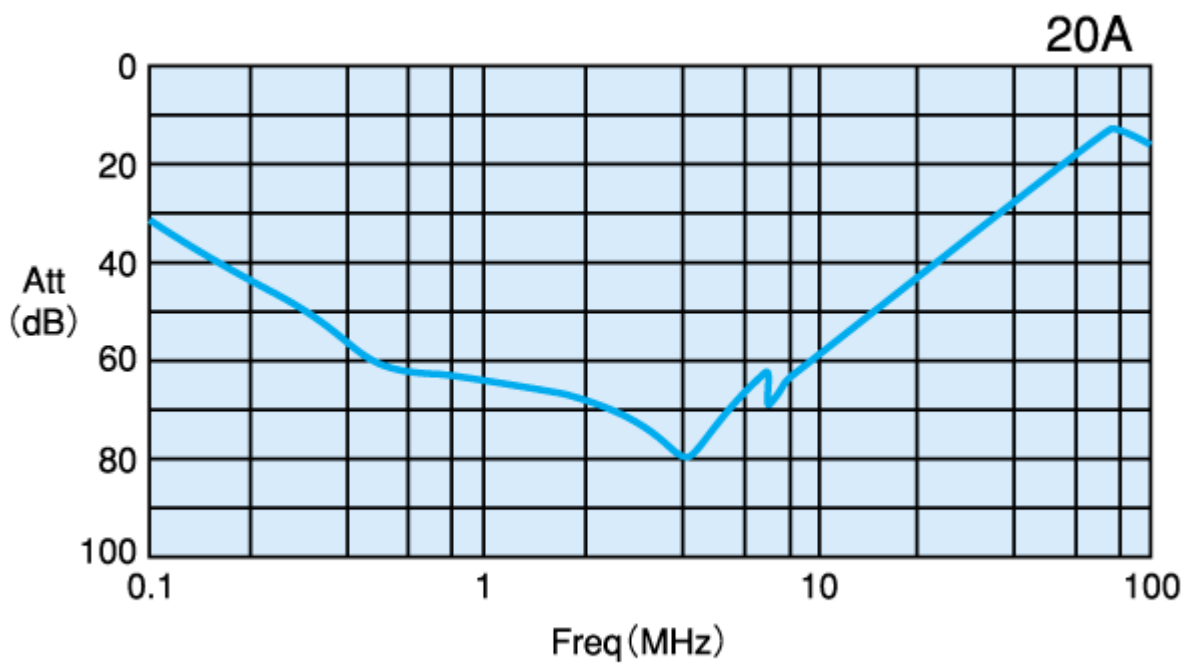
Specifications

Part No.	Rated Current
CF3015A-DB	15A
CF3020A-DB	20A
Rated Voltage	250VAC max
Leakage Current	1mA max 200VAC 60Hz

fig



Frequency Data



Circuit Diagram

