

ISSUE 4; April 2016

Description

- High frequency 3.3V surface mount oscillator in a ceramic package, with a hermetically sealed metal lid and LVPECL outputs



Frequency Parameters

- Frequency: 12.0MHz to 800.0MHz
- Frequency Stability: $\pm 25.00\text{ppm}$ to $\pm 100.00\text{ppm}$
- Frequency Stabilities: $\pm 25\text{ppm}$, $\pm 50\text{ppm}$, $\pm 100\text{ppm}$ (inclusive of supply voltage and output load variations over the operating temperature range)

Electrical Parameters

- Supply Voltage: 3.3V $\pm 5\%$

Operating Temperature Ranges

- 10 to 70°C
- 40 to 85°C

Output Details

- Output Compatibility: LVPECL
- Drive Capability: 50Ω terminated to $V_s - 2.0V$

Output Control

- Enable/Disable Operation:
 Logic '0' to pad 2 (<1.7V) enables oscillator output
 Logic '1' to pad 2 (>2.2V) disables oscillator output; oscillator output goes to the high impedance state
 No connection to pad 2 enables oscillator output

Output Levels

- '0' Level $V_{ol} + 1.7V$ max
- '1' Level $V_{oh} + 2.2V$ min

Noise Parameters

- Phase Jitter(12kHz to 20MHz): 5ps rms max
- Phase Noise (max): -110dBc/Hz @ 10kHz

Environmental Parameters

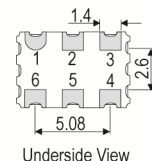
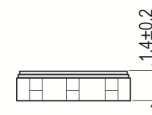
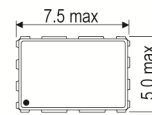
- Storage Temperature Range: -40 to 85°C
- Shock: MIL-STD-202F, Method 213B (1000G, 0.5ms, 1/2 sinewave)
- Vibration: MIL-STD-202F, Method 204D, test condition D20G, freq range 10-2000Hz, 4 hours for X, Y & Z axes (total 12 hours)

Ordering Information

- (minimum required*):
 Frequency*
 Model*
 Output
 Frequency Stability*
 Operating Temperature Range*
 Supply Voltage
- Example:
 100.0MHz CFPS-64
 LVPECL $\pm 100\text{ppm}$ -10 to 70C 3.3V



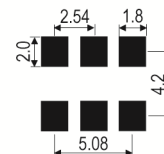
Outline (mm) E/D on pad 2, pad 1 N/C



Pad Connections

- N/C
- Enable/Disable
- GND
- Output 1
- Output 2
- +Vs

Solder Pad Layout



Sales Office Contact Details:

UK: +44 (0)1460 270200

Germany: 0800 1808 443

France: 0800 901 383

USA: +1.760.318.2824

Email: info@iqdfrequencyproducts.com

Web: www.iqdfrequencyproducts.com

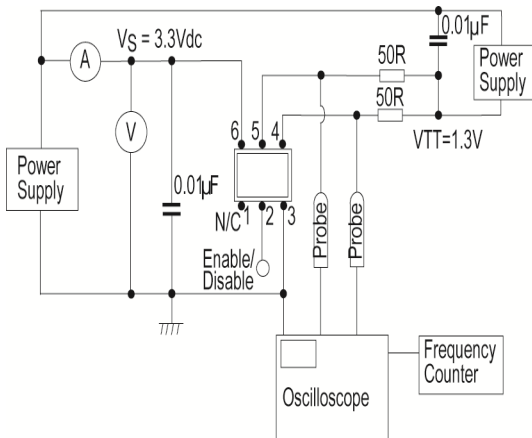
Compliance

- RoHS Status (2011/65/EU) Compliant
- REACH Status Compliant
- MSL Rating (JEDEC-STD-033): Not Applicable

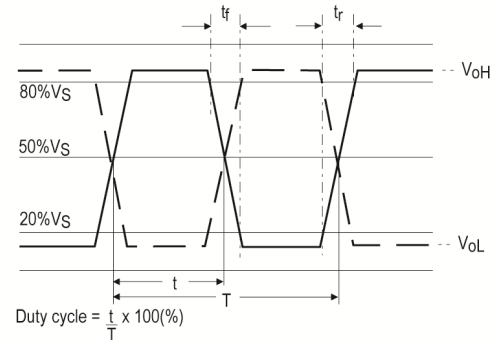
Packaging Details

- Pack Style: Reel Tape & reel in accordance with EIA-481-D
Pack Size: 1,000
- Pack Style: Bulk Loose in bulk pack
Pack Size: 100

Test Circuit



Wave Form



Electrical Specification - maximum limiting values 3.3V ±5%

Frequency Min	Frequency Max	Temperature Range	Stability (Min)	Current Draw	Rise and Fall Time	Duty Cycle
		°C	ppm	mA	ns	%
12.0MHz	99.999999MHz	-10 to 70	±25.0	120	1	40/60%
		-40 to 85	±50.0	120	1	40/60%
100.0MHz	800.0MHz	-10 to 70	±25.0	120	0.5	40/60%
		-40 to 85	±50.0	120	0.5	40/60%

This document was correct at the time of printing; please contact your local sales office for the latest version.

[Click to view latest version on our website.](#)

Sales Office Contact Details:

UK: +44 (0)1460 270200
Germany: 0800 1808 443

France: 0800 901 383
USA: +1.760.318.2824

Email: info@iqdfrequencyproducts.com
Web: www.iqdfrequencyproducts.com