

ISSUE 5; April 2016

Description

- LVPECL output Voltage Controlled Crystal Oscillator
Using PPL technology to give a very wide frequency range
Wide pulling of $\pm 150\text{ppm}$ min
Ceramic package with a seam sealed metal lid hermetically sealed
For a more controllable smaller pulling range please see our CFPV-32



Frequency Parameters

- Frequency: 12.0MHz to 700.0MHz
- Frequency Stability: $\pm 25.00\text{ppm}$ to $\pm 50.00\text{ppm}$

Electrical Parameters

- Supply Voltage: 3.3V $\pm 5\%$

Frequency Adjustment

- Pulling: $\pm 150\text{ppm}$ min
- Control Voltage: +1.65V $\pm 1.5\text{V}$
- Input Impedence: 60k Ω min

Operating Temperature Ranges

- 10 to 70°C
- 40 to 85°C

Output Details

- Output Compatibility: LVPECL
- Drive Capability: 50 Ω terminated to +1.3V
- Logic '1' (>Vs-1.10V) to pad 1 disables oscillator output; when disabled the oscillator goes to the high impedance state
Logic '0' (<Vs-1.60V) to pad 1 enable oscillator output
No connection to -ad enable oscillator output

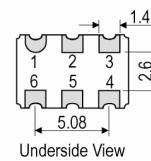
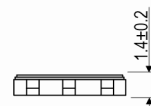
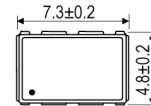
Noise Parameters

- Phase Noise (max)
 - 45dBc/Hz @ 10Hz
 - 65dBc/Hz @ 100Hz
 - 95dBc/Hz @ 1kHz
 - 120dBc/Hz @ 10kHz
 - 117dBc/Hz @ 100kHz
 - 115dBc/Hz @ 1MHz
 - 135dBc/Hz @ 10MHz
- Phase Jitter: 5ps rms max (12kHz - 20MHz)

Environmental Parameters

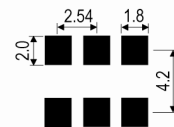
- Shock: MIL-STD-202F, Method 213B (1000G, 0.5ms, 1/2 sine)
- Vibration: MIL-STD-202F, Method 204D, Test Condition D 20G, frequency range 10-2000Hz, 4hrs in X, Y & Z axes (total 12hrs)
- Storage Temperature Range: -40 to 85°C

Outline (mm)



- Pad Connections
- Voltage Control
 - Tri-State Operation
 - GND
 - Output +
 - Output -
 - +Vs

Solder Pad Layout



Sales Office Contact Details:

UK: +44 (0)1460 270200

Germany: 0800 1808 443

France: 0800 901 383

USA: +1.760.318.2824

Email: info@iqdfrequencyproducts.com

Web: www.iqdfrequencyproducts.com

Ordering Information

- Frequency*
Model*
Output
Frequency Stability (over operating temperature range)*
Operating Temperature Range*
Supply Voltage
Pullability
- Example
100.00MHz CFPV-55
LVPECL ± 50 ppm -10 to 70C 3.3V ± 150 ppm min

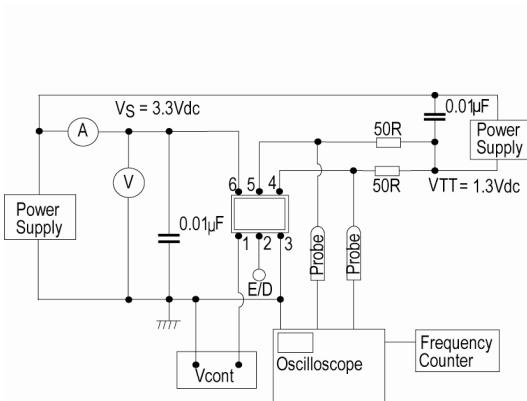
Compliance

- RoHS Status (2011/65/EU) Compliant
- REACH Status Compliant
- MSL Rating (JDEC-STD-033): Not Applicable

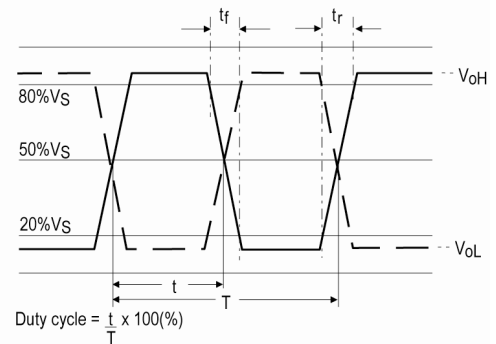
Packaging Details

- Pack Style: Cutt In tape, cut from a reel
Pack Size: 1
- Pack Style: Bulk Loose in bulk pack
Pack Size: 100
- Pack Style: Reel Tape & reel in accordance with EIA-481-D
Pack Size: 1,000

Test Circuit



Wave Form



Electrical Specification - maximum limiting values 3.3V $\pm 5\%$

Frequency Min	Frequency Max	Temperature Range	Stability (Min)	Current Draw	Rise and Fall Time	Duty Cycle
		°C	ppm	mA	ns	%
12.0MHz	99.999999MHz	-10 to 70	± 25.0	120	1	40/60%
		-40 to 85	± 50.0	120	1	40/60%
100.0MHz	700.0MHz	-10 to 70	± 25.0	120	0.5	40/60%
		-40 to 85	± 50.0	120	0.5	40/60%

This document was correct at the time of printing; please contact your local sales office for the latest version.
[Click to view latest version on our website.](#)

Sales Office Contact Details:

UK: +44 (0)1460 270200
Germany: 0800 1808 443

France: 0800 901 383
USA: +1.760.318.2824

Email: info@iqdfrequencyproducts.com
Web: www.iqdfrequencyproducts.com