

CFPX-5 CRYSTALS

ISSUE 1; 9 SEPTEMBER 1999

Delivery Options

- Please contact our sales office for current leadtimes

Holder Style

- CFPX-5 surface mount crystals are encapsulated in a ceramic package with a seam welded metal lid

General Specifications

- Load Capacitance (C_L): 16pF standard
- Drive Level: 100 μ W max

Packaging

- CFPX-5 surface mount crystals are available packaged individually or on tape and reel

Operating Temperature Ranges

- -10 to 60°C

Storage Temperature Range

- -40 to 85°C

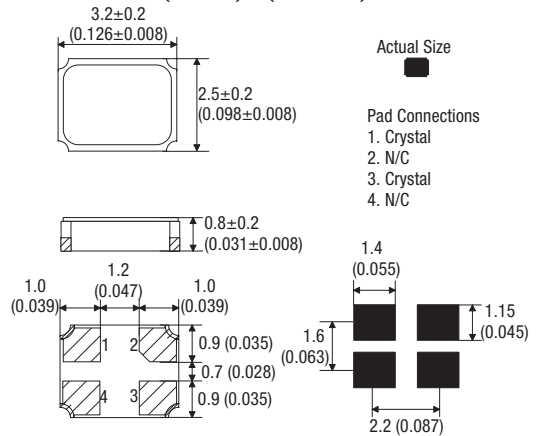
Marking

- Frequency only

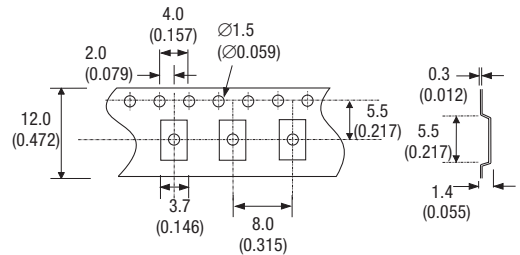
Minimum Order Information Required

- Frequency + Holder and Pad Configuration + Frequency Tolerance @ 25°C + Frequency Stability + Operating Temperature Range + Circuit Condition + Overtone Order

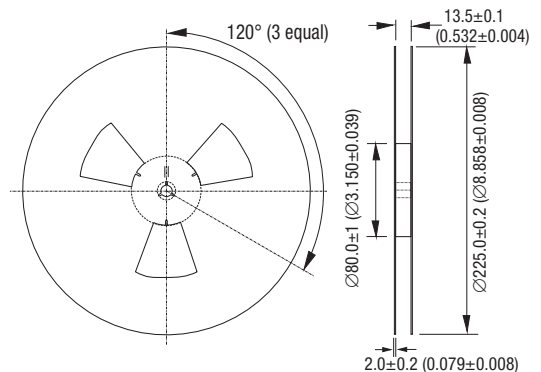
Outline in mm (inches) - (scale 5:1)



Outline in mm (inches) - Tape



Outline in mm (inches) - Reel (scale 1:6)



Electrical Specification - maximum limiting values

Frequency Range	Frequency Tolerance @ 25°C ±3°C	Operating Temperature Range	Frequency Stability Available Over Operating Temperature Range	ESR Max	Vibration Mode
20.0 to < 25.0MHz	±50ppm	-10 to 60°C	±50ppm	150Ω	Fundamental AT cut
25.0 to < 40.0MHz	±50ppm	-10 to 60°C	±50ppm	100Ω	Fundamental AT cut