

Component General, Inc.

Coaxial SMA Female Terminations

MECHANICAL SPECIFICATIONS

Connector: Stainless Steel,
Passivated.

Insulator: PTFE, Virgin grade.

Impedance: 50 Ω .

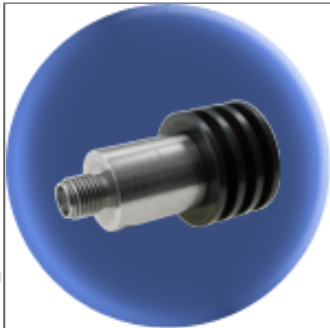
www.DataSheet4U.com

high power Coaxial SMA Female terminations product selection chart				
P/N	Power Avg.	Power Peak	Length	Width
CFT-05 SF	5 W	2.0 KW.	1.460"	0.750"
CFT-10 SF	10 W	1.0 KW.	1.880"	0.645"
CFT-15 SF	15 W	2.0 KW.	1.900"	1.250"
CFT-35 SF	35 W	3.0 KW.	2.200"	1.650"
CHT-15-2 SF	15 W	N/A	0.855"	1.000"
CHT-30 SF	30 W	N/A	0.975"	1.500"
CHT-50 SF	50 W	N/A	1.335"	1.375"
CHT-100 SF	100 W	N/A	1.335"	1.375"
CHT-150 SF	150 W	N/A	2.000"	2.000"
CHT-150-1 SF	150 W	N/A	2.000"	2.000"
CHT-250 SF	250 W	N/A	2.000"	2.000"

Component General, Inc.

P/N:CFT-05 SF

Coaxial Terminations



Electrical Specifications

Power Average:

5 W.

Frequency Range:

DC - 6.0 GHz

6.0 - 12.0 GHz

12.0 - 18.0 GHz

VSWR (Max.):

1.15:1

1.25:1

1.35:1

Power Peak:

2.0 KW.

Impedance:

50 Ω

Mechanical Specifications

Nut:

Stainless Steel, Passivated

Contact:

Tellurium Copper, Gold plated.

Hosing:

Aluminum, Black Anodized.

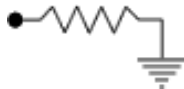
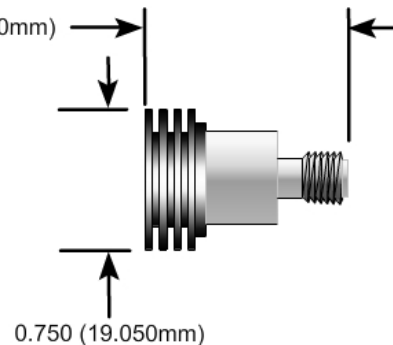
Insulator:

PTFE, Virgin grade.

Weight:

12.0 Grams.

Part Dimensions

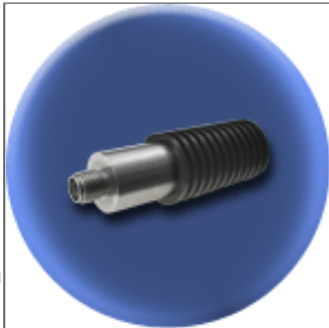


2445 Success Drive Odessa, FL 33556
727-376-6655 or 800-246-4084

Component General, Inc.

P/N:CFT-10 SF

Coaxial Terminations



Electrical Specifications

Power Average:

10 W.

Frequency Range: VSWR (Max.):

DC - 4.0 GHz 1.10:1

4.0 - 12.0 GHz 1.20:1

12.0 - 18.0 GHz 1.35:1

Power Peak:

1.0 KW.

Impedance:

50 Ω

Mechanical Specifications

Nut:

Stainless Steel.

Contact:

Beryllium Copper, Gold plated.

Housing:

Aluminum, Black Anodized.

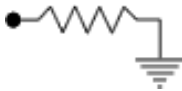
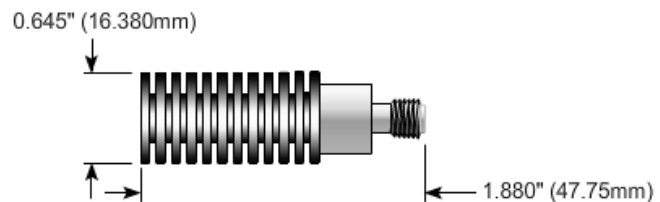
Insulator:

PTFE, Virgin grade.

Weight:

22.0 Grams.

Part Dimensions

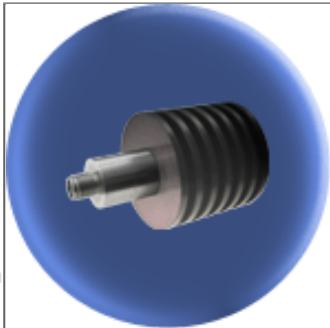


2445 Success Drive Odessa, FL 33556
727-376-6655 or 800-246-4084

Component General, Inc.

P/N:CFT-15 SF

Coaxial Terminations



Electrical Specifications

Power Average:

15 W.

Frequency Range:

DC - 4.0 GHz

4.0 - 12.0 GHz

12.0 - 18.0 GHz

VSWR (Max.):

1.10:1

1.20:1

1.35:1

Power Peak:

2.0 KW.

Impedance:

50 Ω

Mechanical Specifications

Nut:

Stainless Steel.

Contact:

Beryllium Copper, Gold plated.

Housing:

Aluminum, Black Anodized.

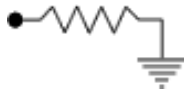
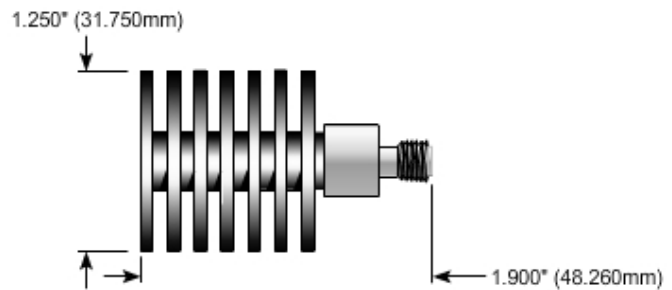
Insulator:

PTFE, Virgin grade.

Weight:

55.0 Grams.

Part Dimensions



2445 Success Drive Odessa, FL 33556
727-376-6655 or 800-246-4084

Component General, Inc.

P/N:CFT-35 SF

Coaxial Terminations

picture coming soon

Electrical Specifications

Power Average:

35 W.

Frequency Range:

DC - 2.0 GHz

2.0 - 4.0 GHz

VSWR (Max.):

1.15:1

1.25:1

Power Peak:

3.0 KW.

Impedance:

50 Ω

Mechanical Specifications

Nut:

Stainless Steel.

Contact:

Beryllium Copper, Gold plated.

Housing:

Aluminum, Black Anodized.

Insulator:

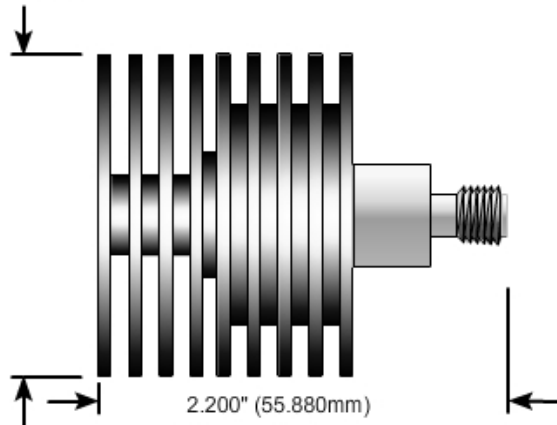
PTFE, Virgin grade.

Weight:

60.0 Grams.

Part Dimensions

1.650" (41.910mm)

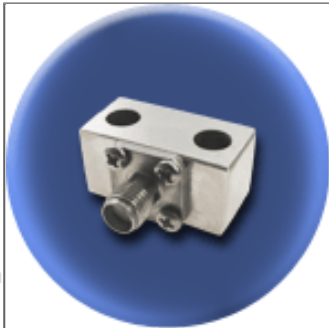


2445 Success Drive Odessa, FL 33556
727-376-6655 or 800-246-4084

Component General, Inc.

P/N: CHT-15-2 SF

Coaxial Terminations



Electrical Specifications

	Frequency Range:	VSWR (Max.):
Power: 15 W.	DC - 4.0 GHz	1.15:1
	4.0 - 8.0 GHz	1.20:1
	8.0 - 12.4 GHz	1.30:1
Impedance: 50 Ω		

Mechanical Specifications

Connector:

Stainless Steel, Passivated.

Contact:

Beryllium Copper, Silver plated.

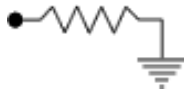
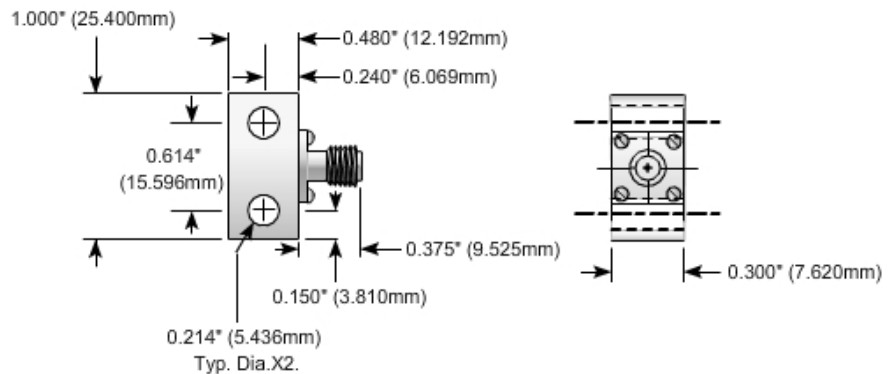
Housing:

Copper, Nickel plated.

Insulator:

PTFE, Virgin grade.

Part Dimensions



The CHT Series high power coaxial terminations are conduction cooled loads. They are designed to be mounted on a heat sink ground plane or a chill plate. The power ratings require that the base plate of the CHT-15-2 does not exceed 100°C or 85°C for all other sizes.

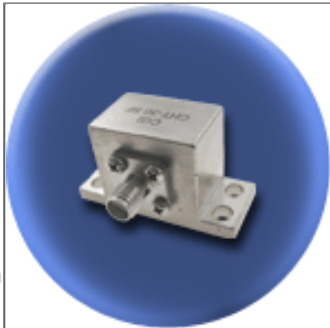


2445 Success Drive Odessa, FL 33556
727-376-6655 or 800-246-4084

Component General, Inc.

P/N: CHT-30 SF

Coaxial Terminations



Electrical Specifications

	Frequency Range:	VSWR (Max.):
Power:	DC - 4.0 GHz	1.25:1
30 W.	4.0 - 8.0 GHz	1.35:1
	8.0 - 12.4 GHz	1.40:1
Impedance:		
50 Ω		

Mechanical Specifications

Connector:

Stainless Steel, Passivated.

Contact:

Beryllium Copper, Silver plated.

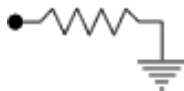
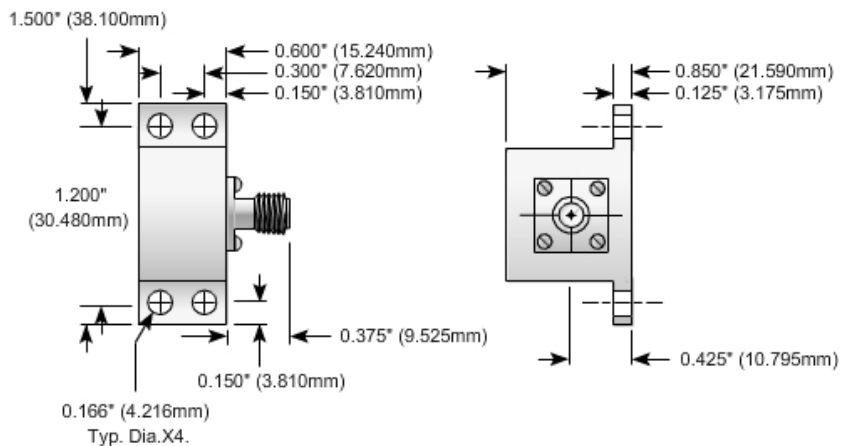
Housing:

Copper, Nickel plated.

Insulator:

PTFE, Virgin grade.

Part Dimensions



The CHT Series high power coaxial terminations are conduction cooled loads. They are designed to be mounted on a heat sink ground plane or a chill plate. The power ratings require that the base plate of the CHT-15-2 does not exceed 100°C or 85°C for all other sizes.



2445 Success Drive Odessa, FL 33556
727-376-6655 or 800-246-4084

Component General, Inc.

P/N: CHT- 50 SF

Coaxial Terminations



Electrical Specifications

Power:

50 W.

Frequency Range:

DC - 3.0 GHz

3.0 - 6.0 GHz

VSWR (Max.):

1.25:1

1.35:1

Impedance:

50 Ω

Mechanical Specifications

Connector:

Stainless Steel, Passivated.

Contact:

Beryllium Copper, Silver plated.

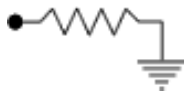
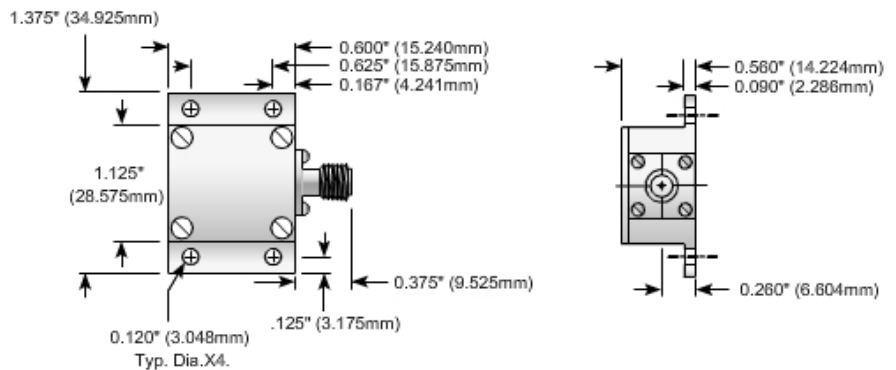
Housing:

Copper, Nickel plated.

Insulator:

PTFE, Virgin grade.

Part Dimensions



The CHT Series high power coaxial terminations are conduction cooled loads. They are designed to be mounted on a heat sink ground plane or a chill plate. The power ratings require that the base plate of the CHT-15-2 does not exceed 100°C or 85°C for all other sizes.

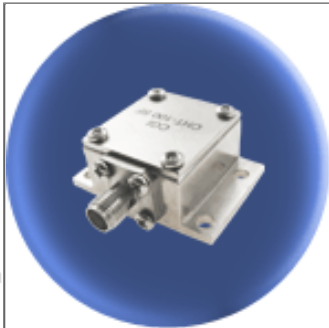


2445 Success Drive Odessa, FL 33556
727-376-6655 or 800-246-4084

Component General, Inc.

P/N: CHT- 100 SF

Coaxial Terminations



Electrical Specifications

Power:

100 W.

Frequency Range:

DC - 3.0 GHz

VSWR (Max.):

1.25:1

Impedance:

50 Ω

Mechanical Specifications

Connector:

Stainless Steel, Passivated.

Contact:

Beryllium Copper, Silver plated.

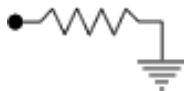
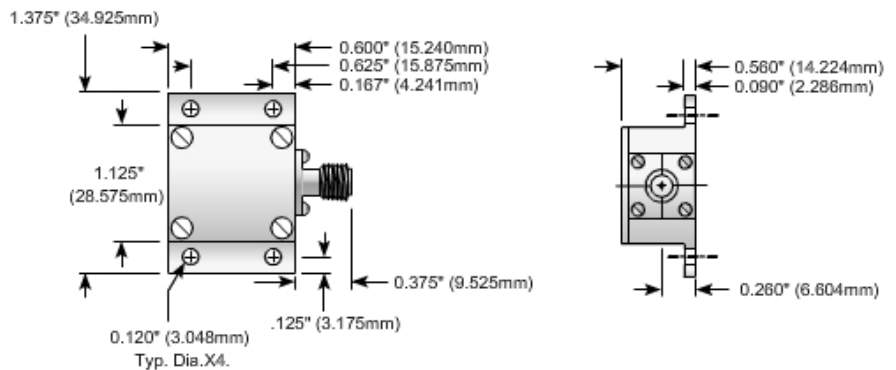
Housing:

Copper, Nickel plated.

Insulator:

PTFE, Virgin grade.

Part Dimensions



The CHT Series high power coaxial terminations are conduction cooled loads. They are designed to be mounted on a heat sink ground plane or a chill plate. The power ratings require that the base plate of the CHT-15-2 does not exceed 100°C or 85°C for all other sizes.

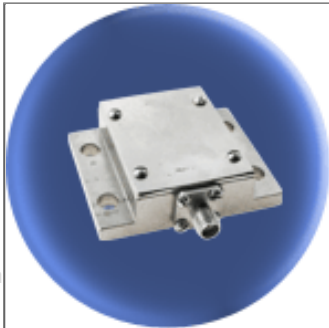


2445 Success Drive Odessa, FL 33556
727-376-6655 or 800-246-4084

Component General, Inc.

P/N: CHT- 150 SF

Coaxial Terminations



Electrical Specifications

Power:

150 W.

Frequency Range:

DC - 1.0 GHz

1.0 - 2.0 GHz

VSWR (Max.):

1.15:1

1.40:1

Impedance:

50 Ω

Mechanical Specifications

Connector:

Stainless Steel, Passivated.

Contact:

Beryllium Copper, Silver plated.

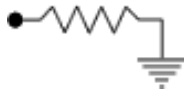
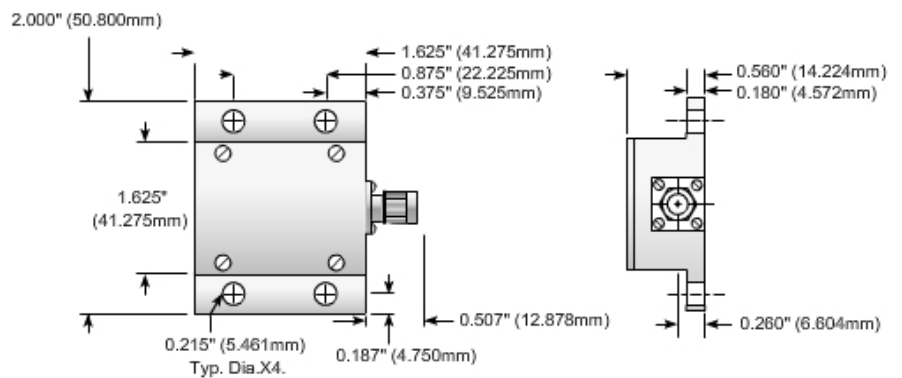
Housing:

Copper, Nickel plated.

Insulator:

PTFE, Virgin grade.

Part Dimensions



The CHT Series high power coaxial terminations are conduction cooled loads. They are designed to be mounted on a heat sink ground plane or a chill plate. The power ratings require that the base plate of the CHT-15-2 does not exceed 100°C or 85°C for all other sizes.

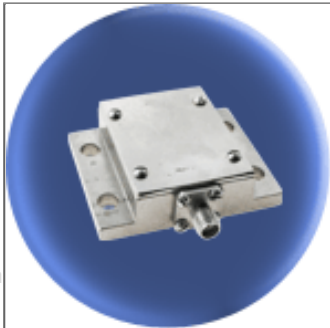


2445 Success Drive Odessa, FL 33556
727-376-6655 or 800-246-4084

Component General, Inc.

P/N: CHT- 150-1 SF

Coaxial Terminations



Electrical Specifications

Power:

150 W.

Frequency Range:

DC - 1.0 GHz

1.0 - 2.0 GHz

VSWR (Max.):

1.15:1

1.40:1

Impedance:

50 Ω

Mechanical Specifications

Connector:

Stainless Steel, Passivated.

Contact:

Beryllium Copper, Silver plated.

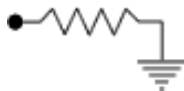
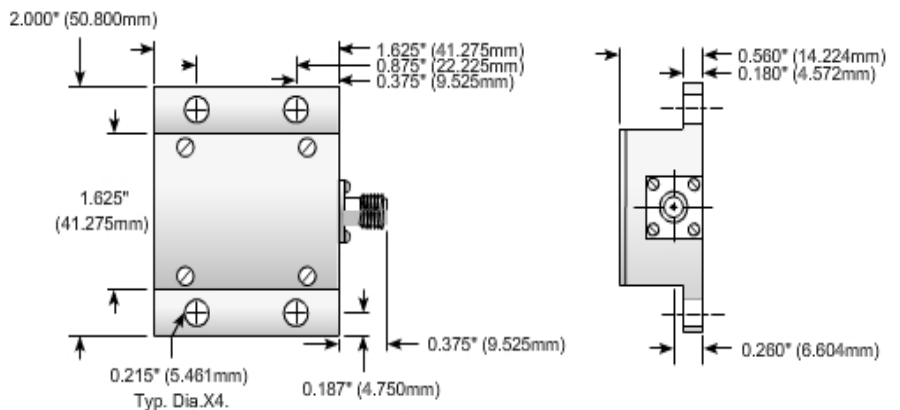
Housing:

Copper, Nickel plated.

Insulator:

PTFE, Virgin grade.

Part Dimensions



The CHT Series high power coaxial terminations are conduction cooled loads. They are designed to be mounted on a heat sink ground plane or a chill plate. The power ratings require that the base plate of the CHT-15-2 does not exceed 100°C or 85°C for all other sizes.

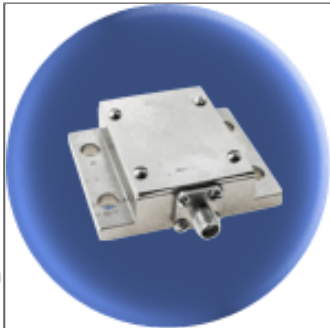


2445 Success Drive Odessa, FL 33556
727-376-6655 or 800-246-4084

Component General, Inc.

P/N: CHT- 250 SF

Coaxial Terminations



Electrical Specifications

	Frequency Range:	VSWR (Max.):
Power: 250 W.	DC - 200 MHz	1.15:1
	200 - 400 MHz	1.25:1
	400 - 800 MHz	1.30:1
Impedance: 50 Ω		

Mechanical Specifications

Connector:

Stainless Steel, Passivated.

Contact:

Beryllium Copper, Silver plated.

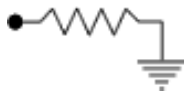
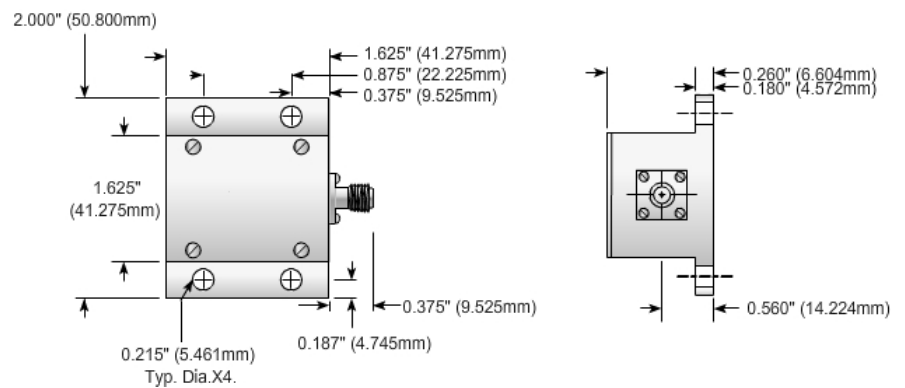
Housing:

Copper, Nickel plated.

Insulator:

PTFE, Virgin grade.

Part Dimensions



The CHT Series high power coaxial terminations are conduction cooled loads. They are designed to be mounted on a heat sink ground plane or a chill plate. The power ratings require that the base plate of the CHT-15-2 does not exceed 100°C or 85°C for all other sizes.



2445 Success Drive Odessa, FL 33556
727-376-6655 or 800-246-4084