

# Component General, Inc.

## Coaxial SMA Male Terminations

### MECHANICAL SPECIFICATIONS



Connector: Stainless Steel, Passivated.  
 Insulator: PTFE, Virgin grade.  
 Impedance: 50 Ω.

www.DataSheet4U.com

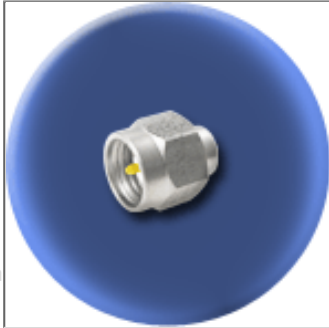
high power Coaxial SMA Male terminations product selection chart

P/N	Power Avg.	Peak Power	Length	Width
CSM-1	1 W	1.0 KW.	0.400" Max.	5/16 Hex.
CSM-4	1 W	1.0 KW.	0.400" Max.	5/16 Hex.
CSM-02 SM	2 W	1.5 KW.	0.550"	5/16 Hex.
CFT-05 SM	5 W	2.0 KW.	1.600"	0.750"
CFT-10 SM	10 W	1.0 KW.	1.970"	0.645"
CFT-15 SM	15 W	2.0 KW.	2.000"	1.250"
CFT-35 SM	35 W	3.0 KW.	2.200"	1.650"
CHT-15-2 SM	15 W	N/A	0.987"	1.000"
CHT-30 SM	30 W	N/A	1.107"	1.500"
CHT-50 SM	50 W	N/A	1.467"	1.375"
CHT-100 SM	100 W	N/A	1.467"	1.375"
CHT-150 SM	150 W	N/A	2.132"	2.000"
CHT-150-1 SM	150 W	N/A	2.132"	2.000"
CHT-250 SM	250 W	N/A	2.132"	2.000"

# Component General, Inc.

P/N:CSM-1

Coaxial Terminations



## Electrical Specifications

**Power Average:**

1.0 W.

**Frequency Range:**

DC - 18.0 GHz

**VSWR (Max.):**

1.15:1

**Power Peak:**

1.0 KW.

**Impedance:**

50  $\Omega$

**Torque:**

9 IN.-LB. (Mandatory)

## Mechanical Specifications

**Nut:**

Stainless Steel, Passivated.

**Contact:**

Tellurium Copper, Gold plated.

**Housing:**

Tellurium Copper, Nickel plated.  
(Also available with gold plating.)

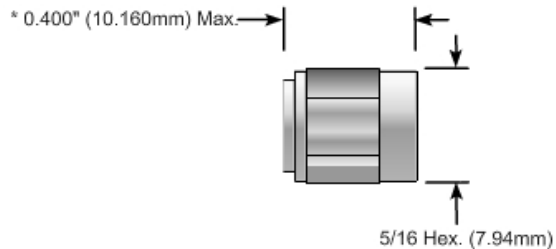
**Insulator:**

PTFE, Virgin grade.

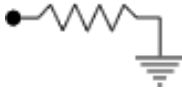
**Weight:**

2.2 Grams.

## Part Dimensions



\* Max. length with chain 0.650". | Add -C to P/N for 3" (approx.) chain.

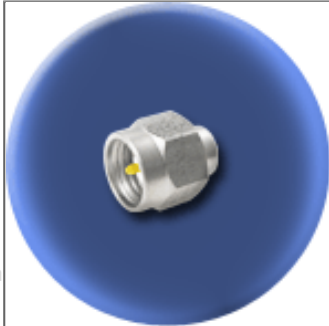


2445 Success Drive Odessa, FL 33556  
727-376-6655 or 800-246-4084

# Component General, Inc.

P/N:CSM-4

Coaxial Terminations



## Electrical Specifications

**Power Average:**

1 W.

**Frequency Range:**

DC - 2.0 GHz

**VSWR (Max.):**

1.20:1

**Power Peak:**

1.0 KW.

**Impedance:**

50  $\Omega$

**Torque:**

9 IN.-LB. (Mandatory)

## Mechanical Specifications

**Nut:**

Stainless Steel, Passivated.

**Contact:**

Tellurium Copper, Gold plated.

**Housing:**

Tellurium Copper, Nickel plated.  
(Also available with gold plating.)

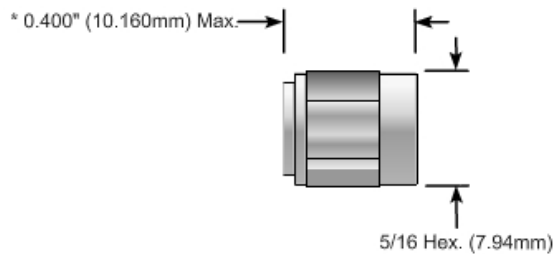
**Insulator:**

PTFE, Virgin grade.

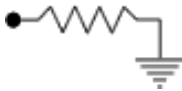
**Weight:**

2.2 Grams.

## Part Dimensions



\* Max. length with chain 0.650". | Add -C to P/N for 3" (approx.) chain.

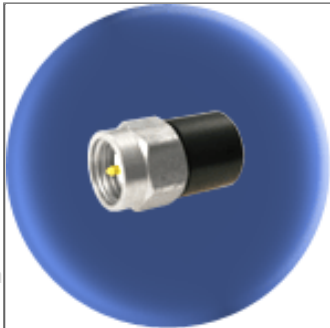


2445 Success Drive Odessa, FL 33556  
727-376-6655 or 800-246-4084

# Component General, Inc.

P/N:CSM-02 SM

Coaxial Terminations



## Electrical Specifications

**Power Average:**

2 W.

**Frequency Range:**

DC - 18.0 GHz

**VSWR (Max.):**

1.15:1

**Power Peak:**

1.5 KW.

**Impedance:**

50  $\Omega$

**Torque:**

9 IN.-LB. (Mandatory)

## Mechanical Specifications

**Nut:**

Stainless Steel, Passivated.

**Contact:**

Tellurium Copper, Gold plated.

**Housing:**

Aluminum, Black Anodized.

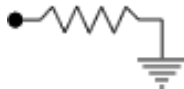
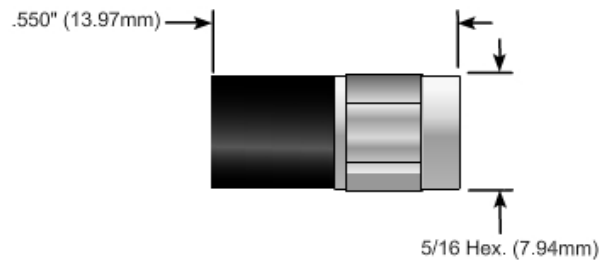
**Insulator:**

PTFE, Virgin grade.

**Weight:**

3.0 Grams.

## Part Dimensions

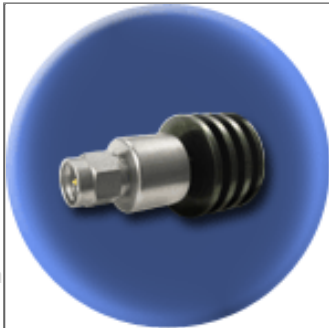


2445 Success Drive Odessa, FL 33556  
727-376-6655 or 800-246-4084

# Component General, Inc.

P/N:CFT-05 SM

Coaxial Terminations



## Electrical Specifications

<b>Power Average:</b> 5 W.	<b>Frequency Range:</b>	<b>VSWR (Max.):</b>
	DC - 6.0 GHz	1.15:1
	6.0 - 12.0 GHz	1.25:1
<b>Power Peak:</b> 2.0 KW.	12.0 - 18.0 GHz	1.35:1
	<b>Impedance:</b> 50 $\Omega$	

## Mechanical Specifications

### Connector:

Stainless Steel, Passivated

### Contact:

Tellurium Copper, Gold plated.

### Housing :

Aluminum, Black Anodized.

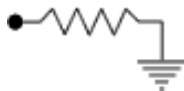
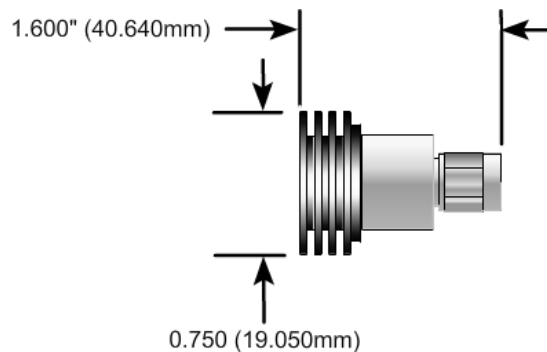
### Insulator:

PTFE, Virgin grade.

### Weight:

12.0 Grams.

## Part Dimensions



the CHT Series high power coaxial terminations are conduction cooled loads. They are designed to be mounted on a heat sink ground plane or a chill plate. The power ratings require that the base plate of the cht-15-2 does not exceed 100°C or 85°C for all other sizes.

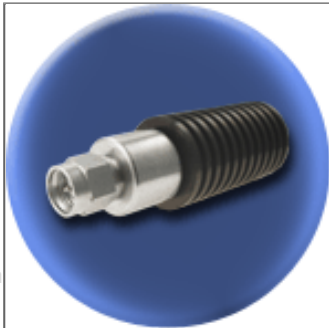


2445 Success Drive Odessa, FL 33556  
727-376-6655 or 800-246-4084

# Component General, Inc.

P/N:CFT-10 SM

Coaxial Terminations



## Electrical Specifications

### Power Average:

10 W.

### Frequency Range:

DC - 4.0 GHz

4.0 - 12.0 GHz

12.0 - 18.0 GHz

### VSWR (Max.):

1.10:1

1.20:1

1.35:1

### Power Peak:

1.0 KW.

### Impedance:

50  $\Omega$

## Mechanical Specifications

### Nut:

Stainless Steel.

### Contact:

Beryllium Copper, Gold plated.

### Housing:

Aluminum, Black Anodized.

### Insulator:

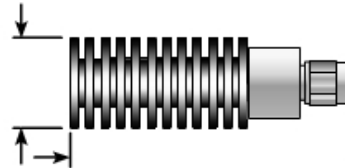
PTFE, Virgin grade.

### Weight:

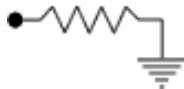
22.0 Grams.

## Part Dimensions

0.645" (16.380mm)



1.970" (50.040mm)

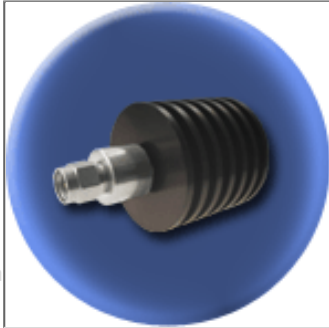


2445 Success Drive Odessa, FL 33556  
727-376-6655 or 800-246-4084

# Component General, Inc.

P/N:CFT-15 SM

Coaxial Terminations



## Electrical Specifications

### Power Average:

15 W.

### Frequency Range:

DC - 4.0 GHz

4.0 - 12.0 GHz

12.0 - 18.0 GHz

### VSWR (Max.):

1.10:1

1.20:1

1.35:1

### Power Peak:

2.0 KW.

### Impedance:

50  $\Omega$

## Mechanical Specifications

### Nut:

Stainless Steel.

### Contact:

Beryllium Copper, Gold plated.

### Housing:

Aluminum, Black Anodized.

### Insulator:

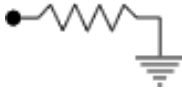
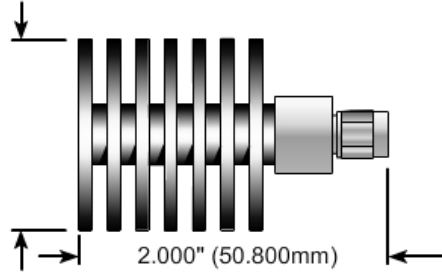
PTFE, Virgin grade.

### Weight:

55.0 Grams.

## Part Dimensions

1.250" (31.750mm)

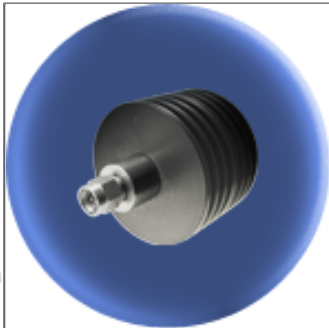


2445 Success Drive Odessa, FL 33556  
727-376-6655 or 800-246-4084

# Component General, Inc.

P/N:CFT-35 SM

Coaxial Terminations



## Electrical Specifications

**Power Average:**

35 W.

**Frequency Range:**

DC - 2.0 GHz

2.0 - 4.0 GHz

**VSWR (Max.):**

1.15:1

1.25:1

**Power Peak:**

3.0 KW.

**Impedance:**

50  $\Omega$

## Mechanical Specifications

**Nut:**

Stainless Steel.

**Contact:**

Beryllium Copper, Gold plated.

**Housing:**

Aluminum, Black Anodized.

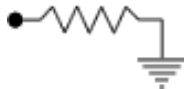
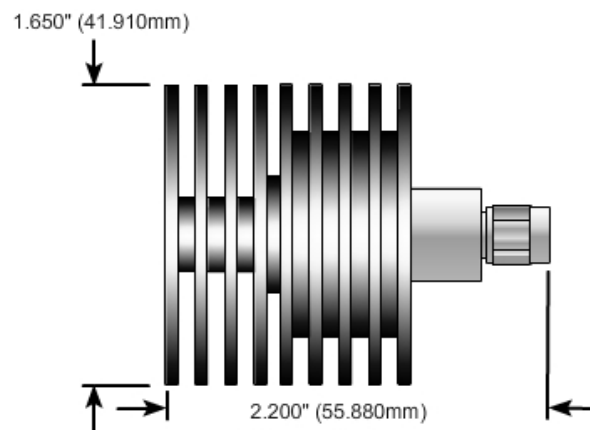
**Insulator:**

PTFE, Virgin grade.

**Weight:**

60.0 Grams.

## Part Dimensions



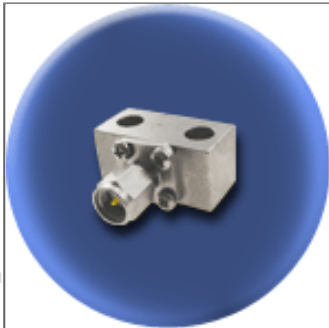
2445 Success Drive Odessa, FL 33556  
727-376-6655 or 800-246-4084



# Component General, Inc.

P/N: CHT-15-2 SM

Coaxial Terminations



## Electrical Specifications

	Frequency Range:	VSWR (Max.):
<b>Power:</b> 15 W.	DC - 4.0 GHz	1.15:1
	4.0 - 8.0 GHz	1.20:1
	8.0 - 12.4 GHz	1.30:1
<b>Impedance:</b> 50 $\Omega$		

## Mechanical Specifications

### Connector:

Stainless Steel, Passivated.

### Contact:

Beryllium Copper, Silver plated.

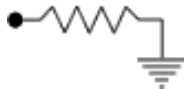
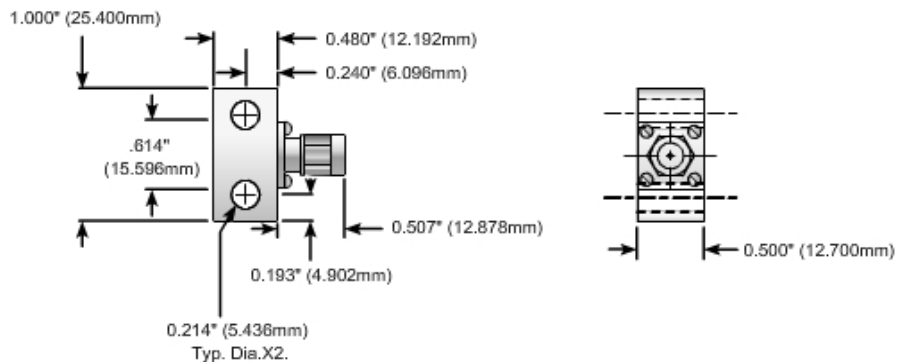
### Housing:

Copper, Nickel plated.

### Insulator:

PTFE, Virgin grade.

## Part Dimensions



The CHT Series high power coaxial terminations are conduction cooled loads. They are designed to be mounted on a heat sink ground plane or a chill plate. The power ratings require that the base plate of the CHT-15-2 does not exceed 100°C or 85°C for all other sizes.

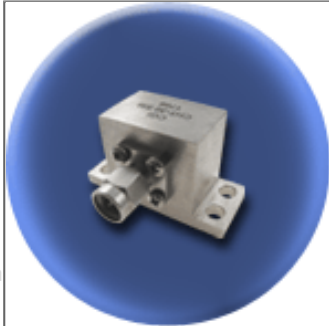


2445 Success Drive Odessa, FL 33556  
727-376-6655 or 800-246-4084

# Component General, Inc.

P/N: CHT-30 SM

Coaxial Terminations



## Electrical Specifications

### Power:

30 W.

### Frequency Range:

DC - 4.0 GHz  
4.0 - 8.0 GHz  
8.0 - 18.0 GHz

### VSWR (Max.):

1.25:1  
1.35:1  
1.40:1

### Impedance:

50  $\Omega$

## Mechanical Specifications

### Connector:

Stainless Steel, Passivated.

### Contact:

Beryllium Copper, Silver plated.

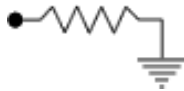
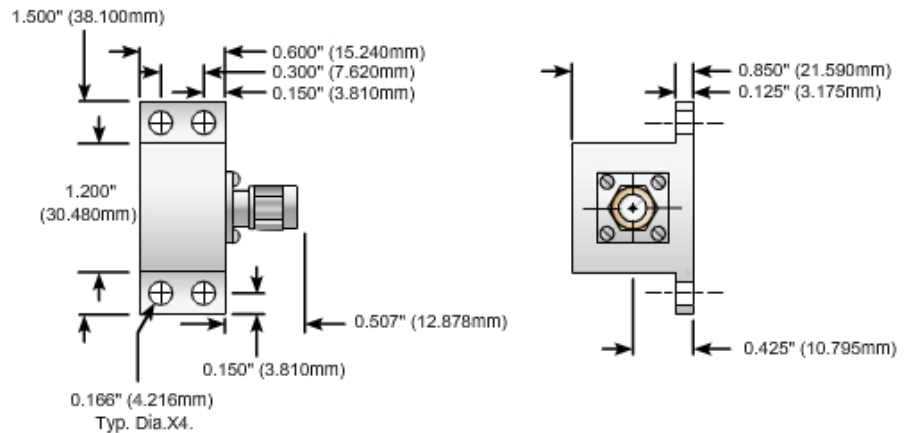
### Housing:

Copper, Nickel plated.

### Insulator:

PTFE, Virgin grade.

## Part Dimensions



The CHT Series high power coaxial terminations are conduction cooled loads. They are designed to be mounted on a heat sink ground plane or a chill plate. The power ratings require that the base plate of the CHT-15-2 does not exceed 100°C or 85°C for all other sizes.

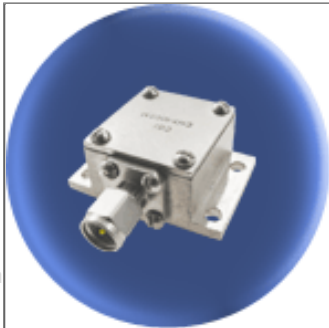


2445 Success Drive Odessa, FL 33556  
727-376-6655 or 800-246-4084

# Component General, Inc.

P/N: CHT- 50 SM

Coaxial Terminations



## Electrical Specifications

**Power:**

50 W.

**Frequency Range:**

DC - 3.0 GHz

3.0 - 6.0 GHz

**VSWR (Max.):**

1.25:1

1.35:1

**Impedance:**

50  $\Omega$

## Mechanical Specifications

**Connector:**

Stainless Steel, Passivated.

**Contact:**

Beryllium Copper, Silver plated.

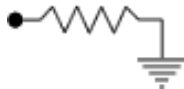
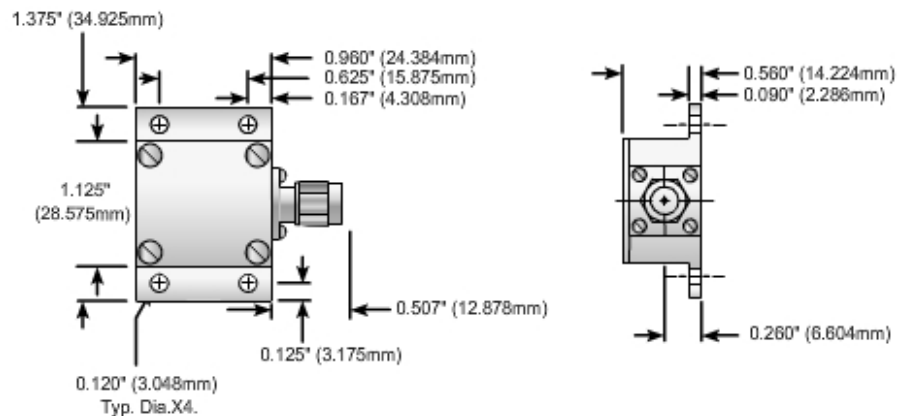
**Housing:**

Copper, Nickel plated.

**Insulator:**

PTFE, Virgin grade.

## Part Dimensions



The CHT Series high power coaxial terminations are conduction cooled loads. They are designed to be mounted on a heat sink ground plane or a chill plate. The power ratings require that the base plate of the CHT-15-2 does not exceed 100°C or 85°C for all other sizes.

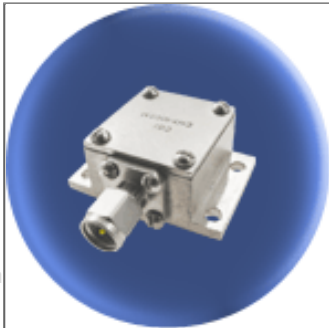


2445 Success Drive Odessa, FL 33556  
727-376-6655 or 800-246-4084

# Component General, Inc.

P/N: CHT- 100 SM

Coaxial Terminations



## Electrical Specifications

**Power:**

100 W.

**Frequency Range:**

DC - 3.0 GHz

**VSWR (Max.):**

1.25:1

**Impedance:**

50  $\Omega$

## Mechanical Specifications

**Connector:**

Stainless Steel, Passivated.

**Contact:**

Beryllium Copper, Silver plated.

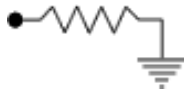
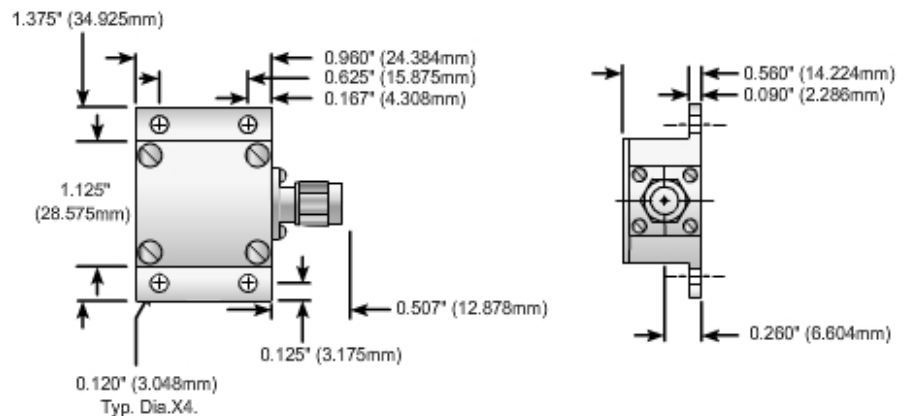
**Housing:**

Copper, Nickel plated.

**Insulator:**

PTFE, Virgin grade.

## Part Dimensions



The CHT Series high power coaxial terminations are conduction cooled loads. They are designed to be mounted on a heat sink ground plane or a chill plate. The power ratings require that the base plate of the CHT-15-2 does not exceed 100°C or 85°C for all other sizes.

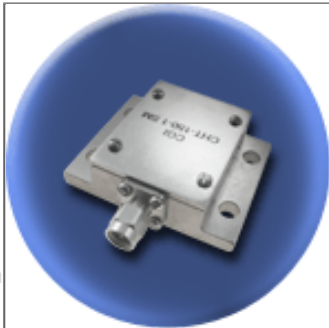


2445 Success Drive Odessa, FL 33556  
727-376-6655 or 800-246-4084

# Component General, Inc.

P/N: CHT- 150 SM

Coaxial Terminations



## Electrical Specifications

**Power:**

150 W.

**Frequency Range:**

DC - 1.0 GHz  
1.0 - 2.0 GHz

**VSWR (Max.):**

1.15:1  
1.40:1

**Impedance:**

50  $\Omega$

## Mechanical Specifications

**Connector:**

Stainless Steel, Passivated.

**Contact:**

Beryllium Copper, Silver plated.

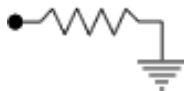
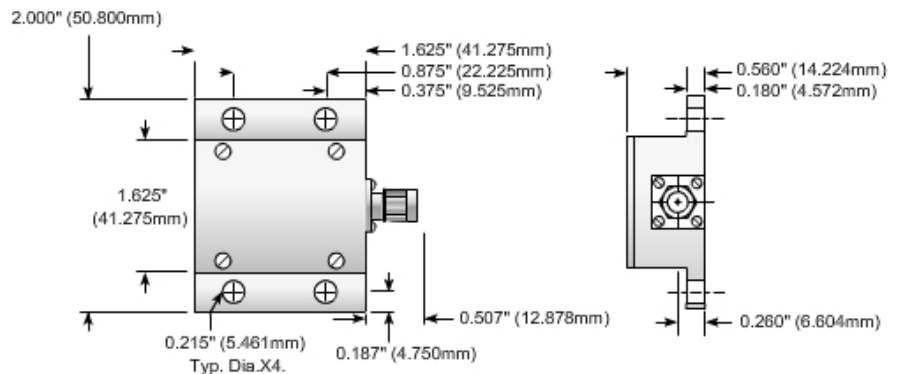
**Housing:**

Copper, Nickel plated.

**Insulator:**

PTFE, Virgin grade.

## Part Dimensions



The CHT Series high power coaxial terminations are conduction cooled loads. They are designed to be mounted on a heat sink ground plane or a chill plate. The power ratings require that the base plate of the CHT-15-2 does not exceed 100°C or 85°C for all other sizes.

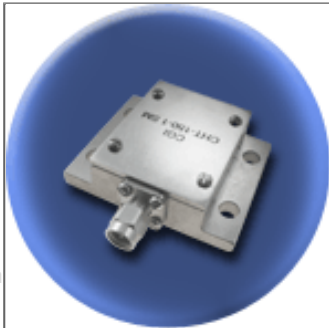


2445 Success Drive Odessa, FL 33556  
727-376-6655 or 800-246-4084

# Component General, Inc.

P/N: CHT- 150-1 SM

Coaxial Terminations



## Electrical Specifications

**Power:**

150 W.

**Frequency Range:**

DC - 1.0 GHz  
1.0 - 2.0 GHz

**VSWR (Max.):**

1.15:1  
1.40:1

**Impedance:**

50  $\Omega$

## Mechanical Specifications

**Connector:**

Stainless Steel, Passivated.

**Contact:**

Beryllium Copper, Silver plated.

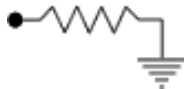
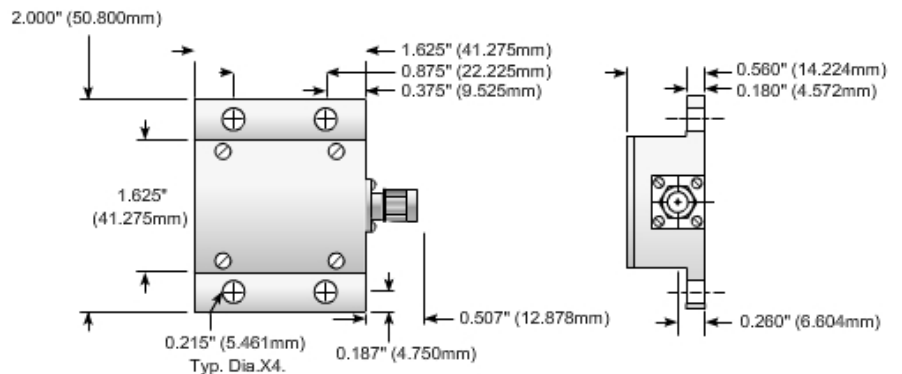
**Housing:**

Copper, Nickel plated.

**Insulator:**

PTFE, Virgin grade.

## Part Dimensions



The CHT Series high power coaxial terminations are conduction cooled loads. They are designed to be mounted on a heat sink ground plane or a chill plate. The power ratings require that the base plate of the CHT-15-2 does not exceed 100°C or 85°C for all other sizes.

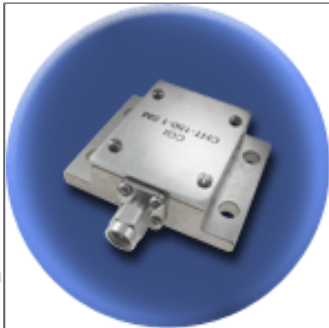


2445 Success Drive Odessa, FL 33556  
727-376-6655 or 800-246-4084

# Component General, Inc.

P/N: CHT- 250 SM

Coaxial Terminations



## Electrical Specifications

	Frequency Range:	VSWR (Max.):
<b>Power:</b> 250 W.	DC - 200 MHz	1.15:1
	200 - 400 MHz	1.25:1
	400 - 800 MHz	1.30:1
<b>Impedance:</b> 50 $\Omega$		

## Mechanical Specifications

### Connector:

Stainless Steel, Passivated.

### Contact:

Beryllium Copper, Silver plated.

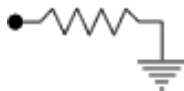
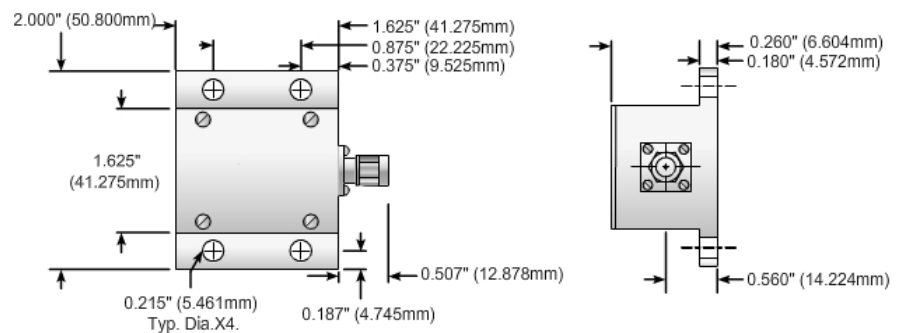
### Housing:

Copper, Nickel plated.

### Insulator:

PTFE, Virgin grade.

## Part Dimensions



The CHT Series high power coaxial terminations are conduction cooled loads. They are designed to be mounted on a heat sink ground plane or a chill plate. The power ratings require that the base plate of the CHT-15-2 does not exceed 100°C or 85°C for all other sizes.



2445 Success Drive Odessa, FL 33556  
727-376-6655 or 800-246-4084