

Component General, Inc.

Coaxial N Female Terminations

MECHANICAL SPECIFICATIONS



Connector: Brass, Nickel Plated.

Insulator: PTFE, Virgin grade.

Impedance: 50 Ω .

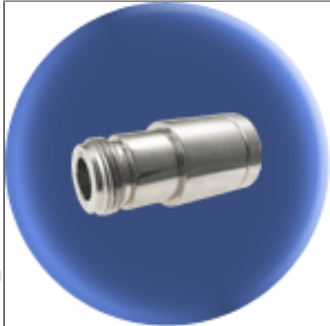
high power Coaxial N Female terminations product selection chart

P/N	Power Avg.	Power Peak	Length	Width
CFT-2 NF	2 W	1.5 KW.	1.600"	0.800"
CFT-5 NF	5 W	2 KW.	1.700"	0.800"
CFT-15 NF	15 W	2 KW.	2.550"	1.250"
CFT-100 NF	100 W	N/A	6.250"	6.000"
CHT-150 NF	150 W	N/A	2.361"	2.000"
CHT-200 NF	200 W	N/A	3.750"	1.000"
CHT-200-1 NF	200 W	N/A	2.375"	1.000"
CHT-200-2 NF	200 W	N/A	2.375"	0.750"
CHT-200-3 NF	200 W	N/A	3.750"	1.000"
CHT-250 NF	150 W	N/A	2.361"	2.000"
CHT-250-1 NF	250 W	N/A	2.100"	1.500"
CHT-300 NF	300 W	N/A	3.400"	1.625"

Component General, Inc.

P/N:CFT-2 NF

Coaxial N Series



Electrical Specifications

Peak Power:

1.5 KW.

Average Power:

2 W.

Frequency Range:

DC - 6.0 GHz

6.0 - 12.4 GHz

VSWR (Max.):

1.15:1

1.25:1

Impedance:

50 Ω

Mechanical Specifications

Connector:

Brass, Nickel plated.

Contact:

Brass, Gold plated.

Housing:

Brass, Nickel plated.

Insulator:

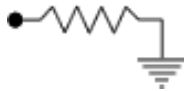
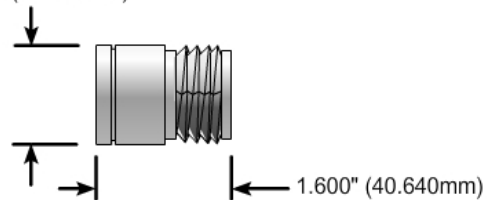
PTFE, Virgin grade.

Weight:

61.0 Grams.

Part Dimensions

0.750" (19.050mm)

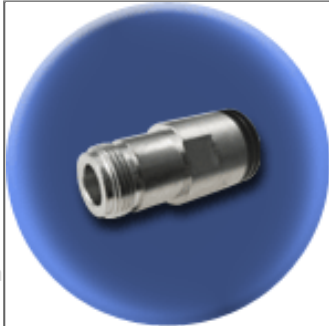


2445 Success Drive Odessa, FL 33556
727-376-6655 or 800-246-4084

Component General, Inc.

P/N:CFT - 5 NF

Coaxial Terminations



Electrical Specifications

Average Power:

5 W.

Frequency Range:

DC - 6.0 GHz
6.0 - 12.4 GHz

VSWR (Max.):

1.20:1
1.35:1

Peak Power:

2.0 K W.

Impedance:

50 Ω

Mechanical Specifications

Connector:

Brass, Nickel plated.

Contact:

Brass, Gold Plated.

Housing:

Aluminum, Black, Anodized.

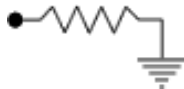
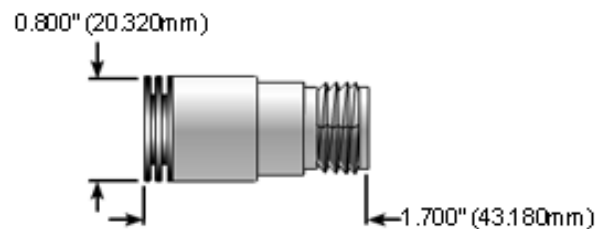
Insulator:

PTFE, Virgin grade.

Weight:

45.0 Grams.

Part Dimensions

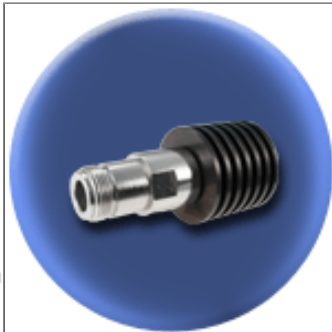


2445 Success Drive Odessa, FL 33556
727-376-6655 or 800-246-4084

Component General, Inc.

P/N:CFT - 15 NF

Coaxial Terminations



Electrical Specifications

Average Power:

15 W.

Frequency Range: **VSWR (Max.):**

DC - 6.0 GHz

1.20:1

6.0 - 12.4 GHz

1.35:1

Peak Power:

2.0 K W.

Impedance:

50 Ω

Mechanical Specifications

Connector:

Brass, Nickel plated.

Contact:

Brass, Silver Plated

Housing:

Aluminum, Black Anodized.

Insulator:

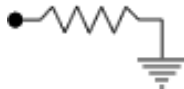
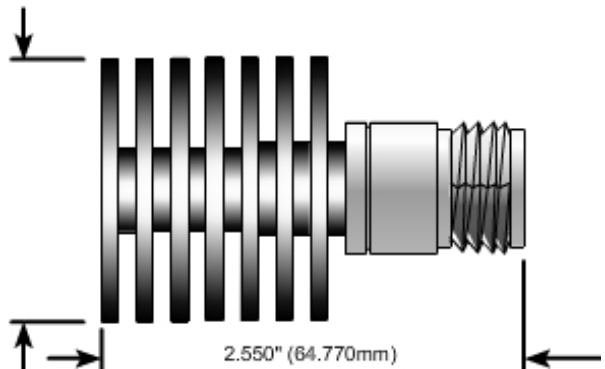
PTFE, Virgin grade.

Weight:

83.0 Grams.

Part Dimensions

1.250" (31.750mm)

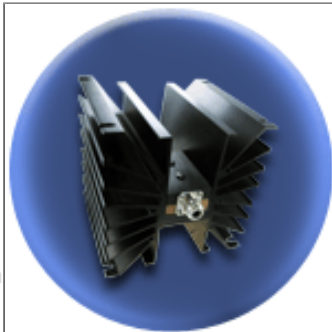


2445 Success Drive Odessa, FL 33556
727-376-6655 or 800-246-4084

Component General, Inc.

P/N:CFT - 100 NF

Coaxial Terminations



Electrical Specifications

Power:

100 W.

Frequency Range:

DC - 1.0 GHz

1.0 - 2.0 GHz

VSWR (Max.):

1.08:1

1.15:1

Impedance:

50 Ω

Mechanical Specifications

Connector:

Brass, Nickel plated.

Contact:

Brass, Silver plated .

Heat Sink:

Aluminum, Black Anodized.

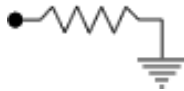
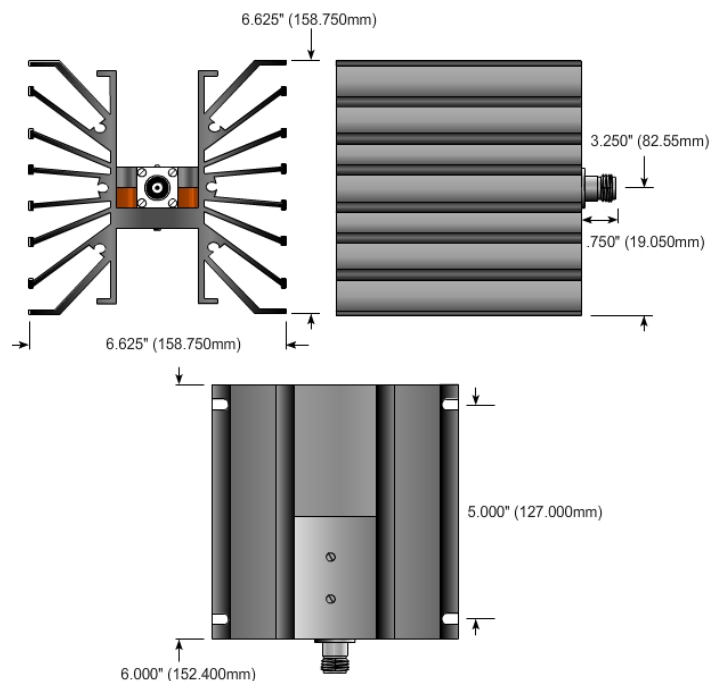
Housing:

Aluminum, Black, Anodized.

Insulator:

PTFE, Virgin grade.

Part Dimensions



2445 Success Drive Odessa, FL 33556
727-376-6655 or 800-246-4084

Component General, Inc.

P/N:CHT - 150 NF

Coaxial Terminations



Electrical Specifications

Power:

150 W.

Frequency Range:

DC - 1.0 GHz
1.0 - 2.0 GHz

VSWR (Max.):

1.15:1
1.40:1

Impedance:

50 Ω

Mechanical Specifications

Contact:

Beryllium Copper, Silver plated..

Connector:

Brass, Nickel plated.

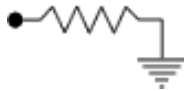
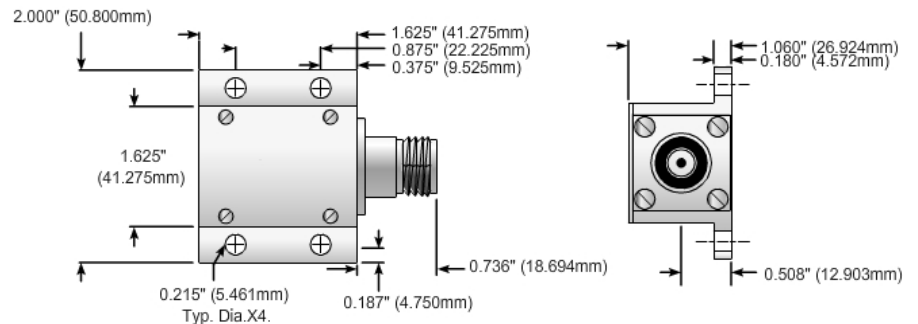
Housing:

Copper, Nickel plated.

Insulator:

PTFE, Virgin grade

Part Dimensions



The CHT Series high power coaxial terminations are conduction cooled loads. They are designed to be mounted on a heat sink ground plane or a chill plate. The power ratings require that the base plate of the CHT-15-2 does not exceed 100°C or 85°C for all other sizes.

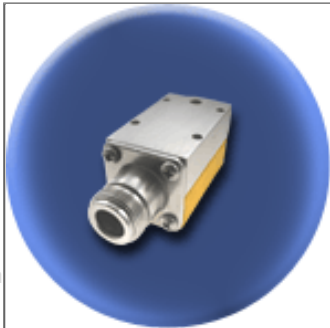


2445 Success Drive Odessa, FL 33556
727-376-6655 or 800-246-4084

Component General, Inc.

P/N:CHT - 200 NF

Coaxial Terminations



Electrical Specifications

Power:

200 W on Adequate
Heat Sink.

Frequency Range:

DC - 1.0 GHz

VSWR (Max.):

1.08:1

Impedance:

50 Ω

Mechanical Specifications

Cover:

Aluminum, Clear iridited.

Connector:

Brass, Nickel plated.

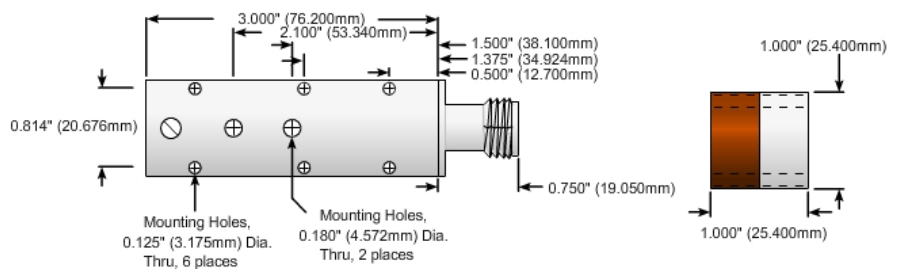
Housing:

Copper, Bare.

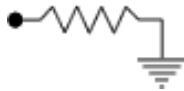
Insulator:

PTFE, Virgin grade.

Part Dimensions



Note: Mounting hole spacing can be altered to meet your needs.



The CHT Series high power coaxial terminations are conduction cooled loads. They are designed to be mounted on a heat sink ground plane or a chill plate. The power ratings require that the base plate of the CHT-15-2 does not exceed 100°C or 85°C for all other sizes.

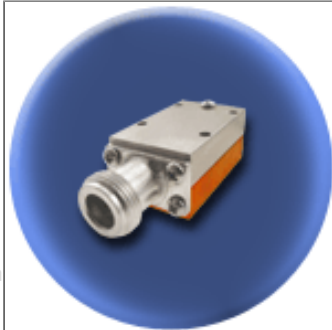


2445 Success Drive Odessa, FL 33556
727-376-6655 or 800-246-4084

Component General, Inc.

P/N:CHT - 200-1 NF

Coaxial Terminations



Electrical Specifications

Power:

200 W on Adequate
Heat Sink.

Frequency Range:

DC - 1.0 GHz

VSWR (Max.):

1.08:1

Impedance:

50 Ω

Mechanical Specifications

Cover:

Aluminum, Gold iredited .

Connector:

Brass, Nickel plated.

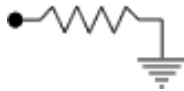
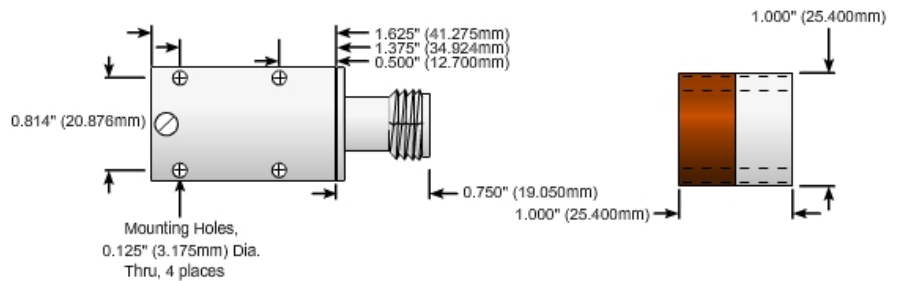
Housing:

Copper, Bare .

Insulator:

PTFE, Virgin grade.

Part Dimensions



Note: Mounting hole spacing can be altered to meet your needs.

The CHT Series high power coaxial terminations are conduction cooled loads. They are designed to be mounted on a heat sink ground plane or a chill plate. The power ratings require that the base plate of the CHT-15-2 does not exceed 100°C or 85°C for all other sizes.

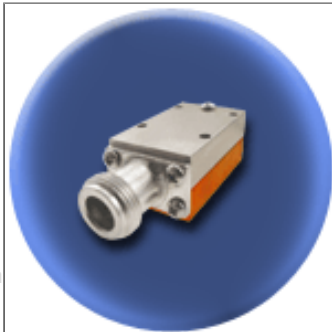


2445 Success Drive Odessa, FL 33556
727-376-6655 or 800-246-4084

Component General, Inc.

P/N: CHT - 200-2 NF

Coaxial Terminations



Electrical Specifications

Power:

200 W on Adequate
Heat Sink.

Frequency Range:

DC - 1.0 GHz

VSWR (Max.):

1.08:1

Impedance:

50 Ω

Mechanical Specifications

Cover:

Aluminum, Gold iredited .

Connector:

Brass, Nickel plated.

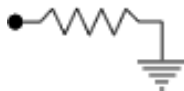
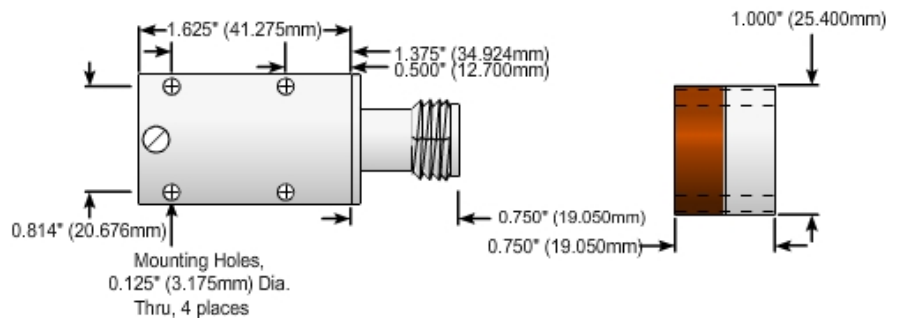
Housing:

Copper, Bare .

Insulator:

PTFE, Virgin grade.

Part Dimensions



The CHT Series high power coaxial terminations are conduction cooled loads. They are designed to be mounted on a heat sink ground plane or a chill plate. The power ratings require that the base plate of the CHT-15-2 does not exceed 100°C or 85°C for all other sizes.

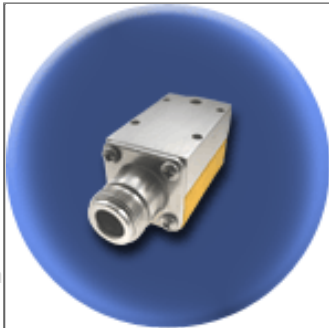


2445 Success Drive Odessa, FL 33556
727-376-6655 or 800-246-4084

Component General, Inc.

P/N:CHT - 200-3 NF

Coaxial Terminations



Electrical Specifications

Power:

200 W on Adequate
Heat Sink.

Frequency Range:

DC - 1.0 GHz

VSWR (Max.):

1.08:1

Impedance:

50 Ω

Mechanical Specifications

Cover:

Aluminum, Gold iredited .

Connector:

Brass, Nickel plated.

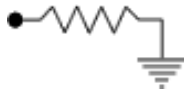
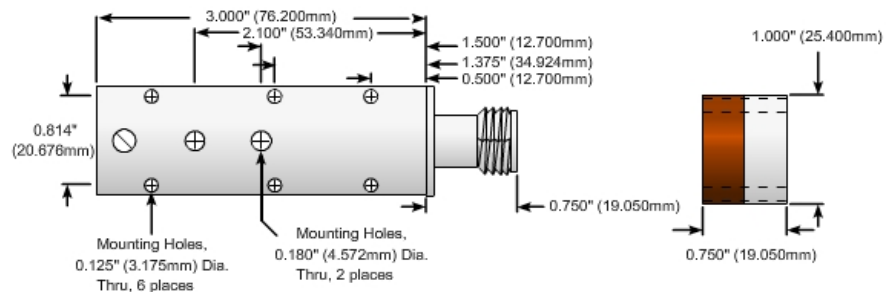
Housing:

Copper, Bare .

Insulator:

PTFE, Virgin grade.

Part Dimensions



Note: Mounting hole spacing can be altered to meet your needs.

The CHT Series high power coaxial terminations are conduction cooled loads. They are designed to be mounted on a heat sink ground plane or a chill plate. The power ratings require that the base plate of the CHT-15-2 does not exceed 100°C or 85°C for all other sizes.

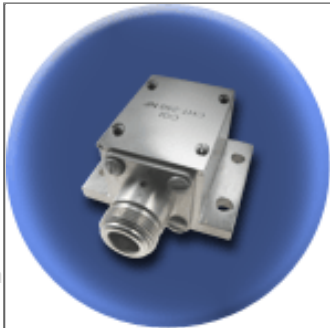


2445 Success Drive Odessa, FL 33556
727-376-6655 or 800-246-4084

Component General, Inc.

P/N:CHT - 250 NF

Coaxial Terminations



Electrical Specifications

	Frequency Range:	VSWR (Max.):
Power: 250 W.	DC - 200 MHz	1.15:1
	200 - 400 MHz	1.25:1
	400 - 800 MHz	1.30:1
Impedance: 50 Ω		

Mechanical Specifications

Contact:

Beryllium Copper, Silver plated..

Connector:

Brass, Nickel plated.

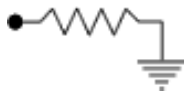
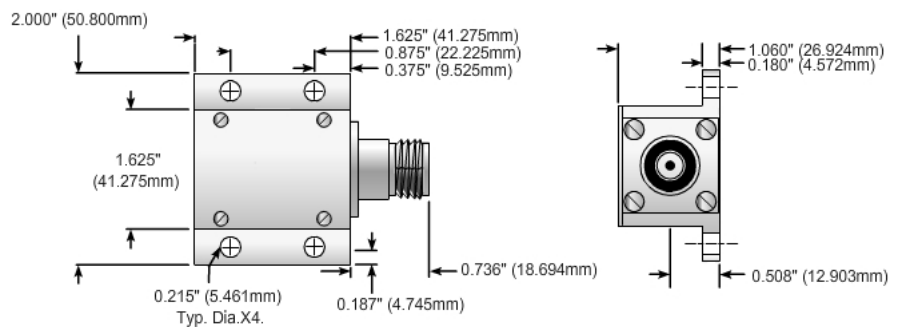
Housing:

Copper, Nickel plated.

Insulator:

PTFE, Virgin grade.

Part Dimensions



The CHT Series high power coaxial terminations are conduction cooled loads. They are designed to be mounted on a heat sink ground plane or a chill plate. The power ratings require that the base plate of the CHT-15-2 does not exceed 100°C or 85°C for all other sizes.

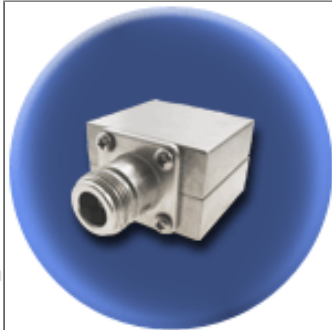


2445 Success Drive Odessa, FL 33556
727-376-6655 or 800-246-4084

Component General, Inc.

P/N: CHT - 250-1 NF

Coaxial Terminations



Electrical Specifications

Power:

250 W on Adequate
Heat Sink.

Frequency Range:

DC - 1.0 GHz

VSWR (Max.):

1.10:1

Impedance:

50 Ω

Mechanical Specifications

Cover:

Copper, Nickel Plated.

Connector:

Brass, Nickel plated.

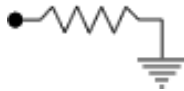
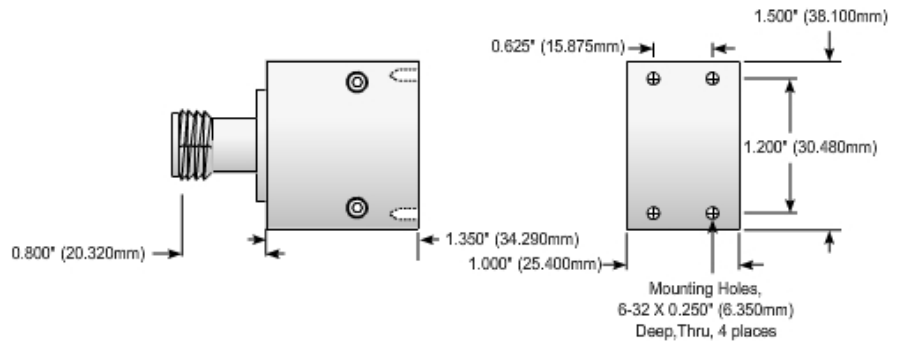
Housing:

Copper, Nickel Plated.

Insulator:

PTFE, Virgin grade.

Part Dimensions



Note: Mounting hole spacing can be altered to meet your needs.

The CHT Series high power coaxial terminations are conduction cooled loads. They are designed to be mounted on a heat sink ground plane or a chill plate. The power ratings require that the base plate of the CHT-15-2 does not exceed 100°C or 85°C for all other sizes.

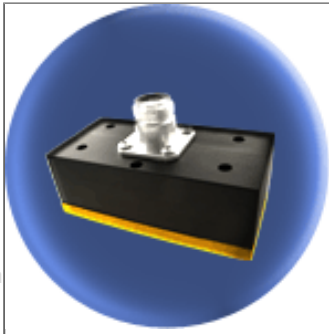


2445 Success Drive Odessa, FL 33556
727-376-6655 or 800-246-4084

Component General, Inc.

P/N: CHT - 300 NF

Coaxial Terminations



Electrical Specifications

Power:

250 W on Adequate Heat Sink.

Frequency Range:

DC - 1.0 GHz

VSWR (Max.):

1.10:1

Return Loss:

-26 dB (Standard)

Impedance:

50 Ω

Mechanical Specifications

Cover:

Aluminum, Black Anodized .

Connector:

Brass, Nickel plated.

Housing:

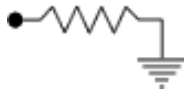
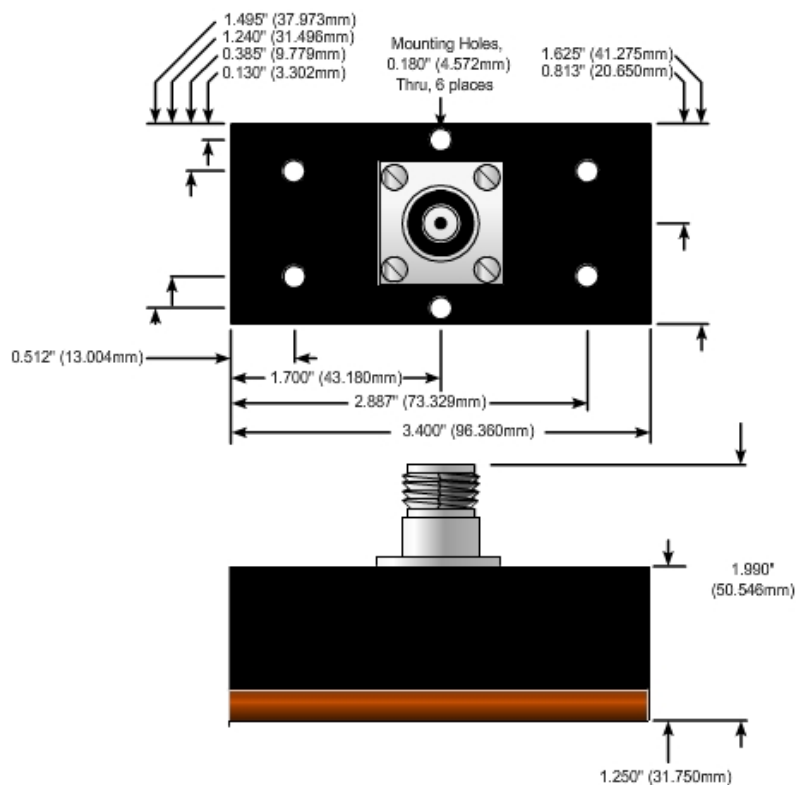
Copper, Bare .

Insulator:

PTFE, Virgin grade.

Note: Mounting hole spacing can be altered to meet your needs.

Part Dimensions



The CHT Series high power coaxial terminations are conduction cooled loads. They are designed to be mounted on a heat sink ground plane or a chill plate. The power ratings require that the base plate of the CHT-15-2 does not exceed 100°C or 85°C for all other sizes.



2445 Success Drive Odessa, FL 33556
727-376-6655 or 800-246-4084