

Component General, Inc.

■ Coaxial TNC Terminations

■ MECHANICAL SPECIFICATIONS

Connector: Brass, Nickel Plated.

Insulator: PTFE, Virgin grade.

Impedance: 50 Ω .

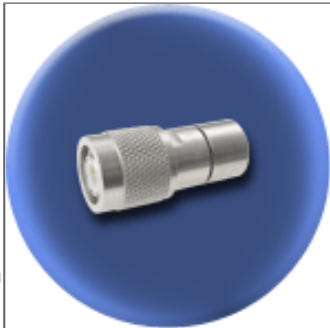
www.DataSheet4U.com

high power coaxial TNC terminations product selection chart				
P/N	Power Avg.	Power Peak	Length	Width
CFT-2 TM	2 W	1.5 KW.	1.350"	0.650"
CFT-5 TM	5 W	2.0 KW.	1.500"	0.750"
CFT-15 TM	15 W	2.0 KW.	2.100"	1.250"
CFT-35 TM	35 W	3.0 KW.	2.200"	1.650"

Component General, Inc.

P/N:CFT-2 TM

Coaxial TNC Series



Electrical Specifications

Average Power:

2 W.

Frequency Range: **VSWR (Max.):**

DC - 6.0 GHz

1.15:1

6.0 - 12.4 GHz

1.25:1

Peak Power:

1.5 KW.

Impedance:

50 Ω

Mechanical Specifications

Connector:

Brass, Nickel plated.

Contact:

Brass, Gold plated.

Housing:

Brass, Nickel plated.

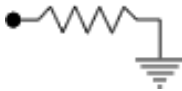
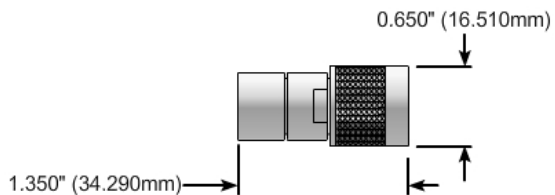
Insulator:

PTFE, Virgin grade.

Weight:

24.0 Grams.

Part Dimensions

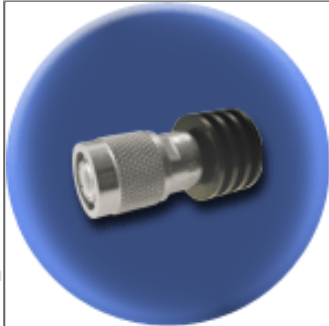


2445 Success Drive Odessa, FL 33556
727-376-6655 or 800-246-4084

Component General, Inc.

P/N:CFT-5 TM

Coaxial TNC Series



Electrical Specifications

Average Power:

5 W.

Frequency Range:

DC - 6.0 GHz
6.0 - 12.4 GHz

VSWR (Max.):

1.15:1
1.25:1

Peak Power:

2.0 KW.

Impedance:

50 Ω

Mechanical Specifications

Connector:

Brass, Nickel plated.

Contact:

Brass, Gold Plated.

Housing:

Aluminum, Black, Anodized.

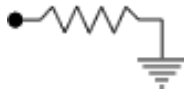
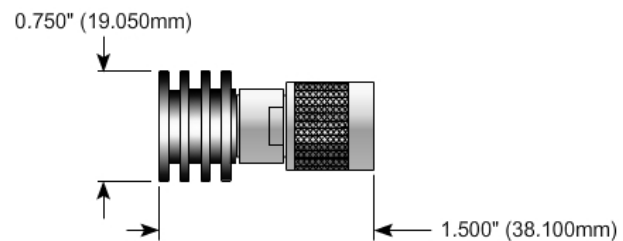
Insulator:

PTFE, Virgin grade.

Weight:

24.0 Grams.

Part Dimensions

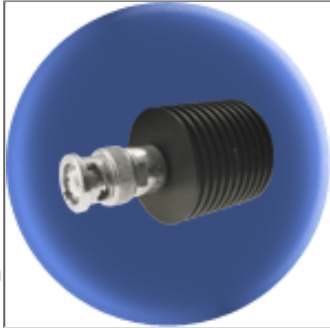


2445 Success Drive Odessa, FL 33556
727-376-6655 or 800-246-4084

Component General, Inc.

P/N:CFT-15 TM

Coaxial TNC Series



Electrical Specifications

Average Power:

15 W.

Frequency Range:

DC - 6.0 GHz
6.0 - 12.4 GHz

VSWR (Max.):

1.25:1
1.35:1

Peak Power:

2.0 KW.

Impedance:

50 Ω

Mechanical Specifications

Connector:

Brass, Nickel plated.

Contact:

Brass, Silver plated.

Housing:

Aluminum, Black Anodized.

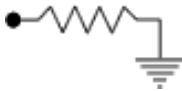
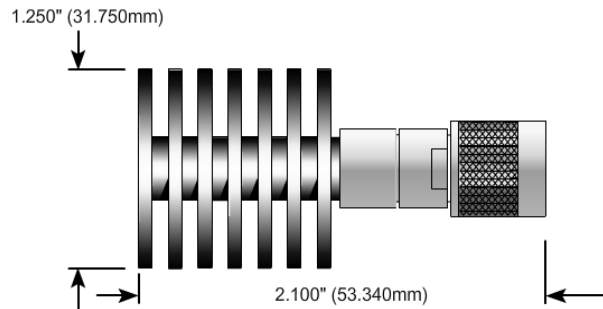
Insulator:

PTFE, Virgin grade.

Weight:

53.0 Grams.

Part Dimensions

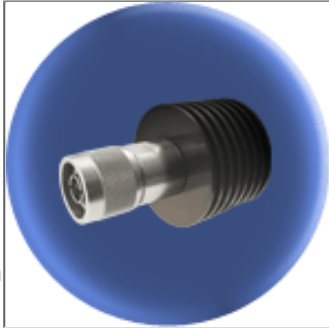


2445 Success Drive Odessa, FL 33556
727-376-6655 or 800-246-4084

Component General, Inc.

P/N:CFT-35 TM

Coaxial TNC Series



Electrical Specifications

Average Power:

35 W.

Frequency Range:

DC - 2.0 GHz

2.0 - 4.0 GHz

VSWR (Max.):

1.15:1

1.20:1

Peak Power:

3.0 KW.

Impedance:

50 Ω

Mechanical Specifications

Connector:

Brass, Nickel plated.

Contact:

Brass, Silver plated.

Housing:

Aluminum, Black Anodized.

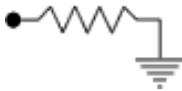
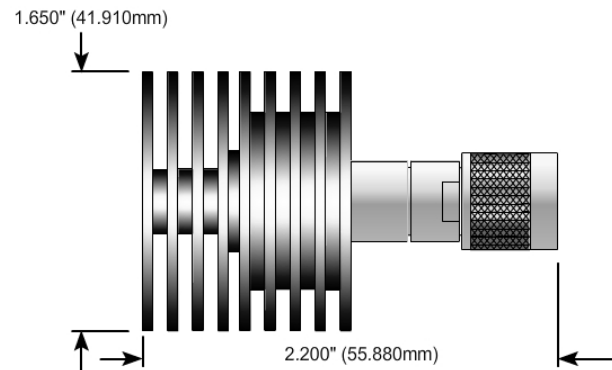
Insulator:

PTFE, Virgin grade.

Weight:

80.0 Grams.

Part Dimensions



2445 Success Drive Odessa, FL 33556
727-376-6655 or 800-246-4084