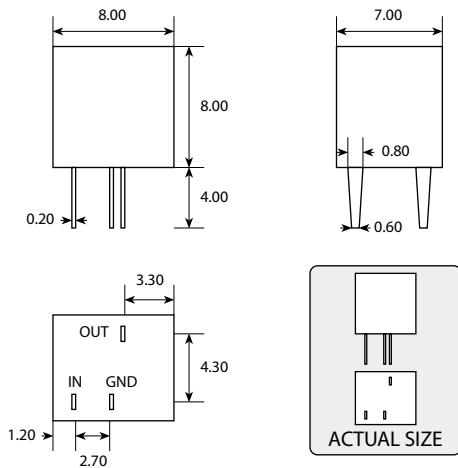
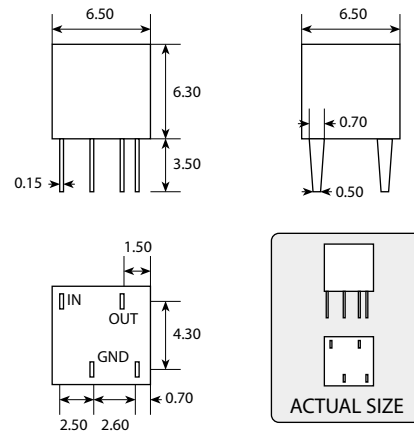


CFU Dimensions



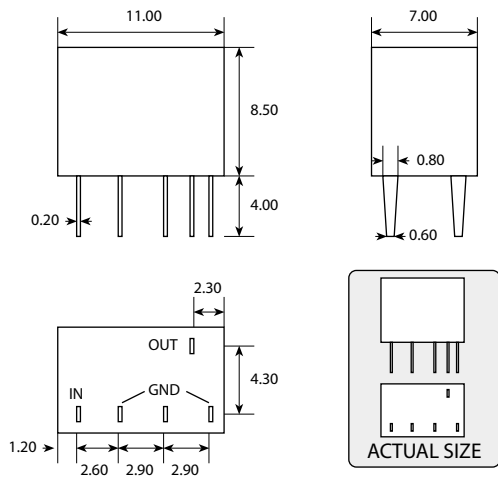
Scale 2:1

CFUM Dimensions



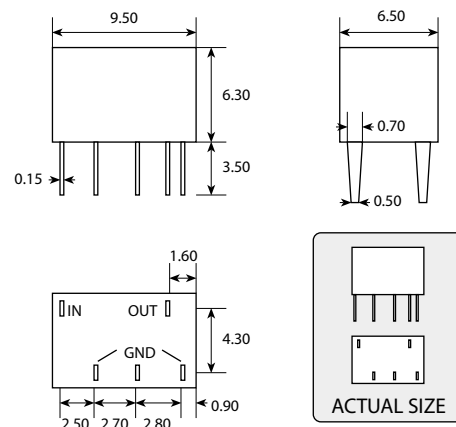
Scale 2:1

CFWS Dimensions



Scale 2:1

CFWM Dimensions



Scale 2:1

CFU & CFWS Specifications

| Model Number | 6dB Bandwidth (kHz) min | Attenuation Bandwidth (kHz@dB) | Attenuation ±100kHz (dB) min | Insertion Loss (dB) max | Input/Output Impedance (ohms) |
|--------------|-------------------------|--------------------------------|------------------------------|-------------------------|-------------------------------|
| CFU455B2 | ±15.00 | ±30.00 40 | 27 | 4 | 1500 |
| CFU455C2 | ±12.50 | ±24.00 40 | 27 | 4 | 1500 |
| CFU455D2 | ±10.00 | ±20.00 40 | 27 | 4 | 1500 |
| CFU455E2 | ±7.50 | ±15.00 40 | 27 | 6 | 1500 |
| CFU455F2 | ±6.00 | ±12.50 40 | 27 | 6 | 2000 |
| CFU455G2 | ±4.50 | ±10.00 40 | 25 | 6 | 2000 |
| CFU455HT | ±3.00 | ±9.00 40 | 35 | 6 | 2000 |
| CFU455IT | ±2.00 | ±7.50 40 | 35 | 6 | 2000 |
| CFWS455B | ±15.00 | ±30.00 50 | 35 | 4 | 1500 |
| CFWS455C | ±12.50 | ±24.00 50 | 35 | 4 | 1500 |
| CFWS455D | ±10.00 | ±20.00 50 | 35 | 4 | 1500 |
| CFWS455E | ±7.50 | ±15.00 50 | 35 | 6 | 1500 |
| CFWS455F | ±6.00 | ±12.50 50 | 35 | 6 | 2000 |
| CFWS455G | ±4.50 | ±10.00 50 | 35 | 6 | 2000 |
| CFWS455HT | ±3.00 | ±9.00 50 | 60 | 6 | 2000 |
| CFWS455IT | ±2.00 | ±7.50 50 | 60 | 7 | 2000 |

CFUM & CFWM Specifications

| Model Number | 6dB Bandwidth (kHz) min | Attenuation Bandwidth (kHz@dB) | Attenuation ±100kHz (dB) min | Insertion Loss (dB) max | Input/Output Impedance (ohms) |
|--------------|-------------------------|--------------------------------|------------------------------|-------------------------|-------------------------------|
| CFUM455B | ±15.00 | ±30.00 40 | 27 | 4 | 1500 |
| CFUM455C | ±12.50 | ±24.00 40 | 27 | 4 | 1500 |
| CFUM455D | ±10.00 | ±20.00 40 | 27 | 4 | 1500 |
| CFUM455E | ±7.50 | ±15.00 40 | 27 | 6 | 1500 |
| CFUM455F | ±6.00 | ±12.50 40 | 27 | 6 | 2000 |
| CFUM455G | ±4.50 | ±10.00 40 | 25 | 6 | 2000 |
| CFUM455H | ±3.00 | ±9.00 40 | 35 | 6 | 2000 |
| CFUM455I | ±2.00 | ±7.50 40 | 35 | 7 | 2000 |
| CFWM455B | ±15.00 | ±30.00 50 | 35 | 4 | 1500 |
| CFWM455C | ±12.50 | ±24.00 50 | 35 | 4 | 1500 |
| CFWM455D | ±10.00 | ±20.00 50 | 35 | 4 | 1500 |
| CFWM455E | ±7.50 | ±15.00 50 | 35 | 6 | 1500 |
| CFWM455F | ±6.00 | ±12.50 50 | 35 | 6 | 2000 |
| CFWM455G | ±4.50 | ±10.00 50 | 35 | 6 | 2000 |
| CFWM455H | ±3.00 | ±9.00 50 | 55 | 6 | 2000 |
| CFWM455I | ±2.00 | ±7.50 50 | 55 | 7 | 2000 |

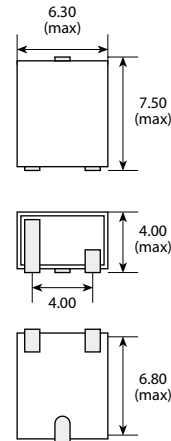
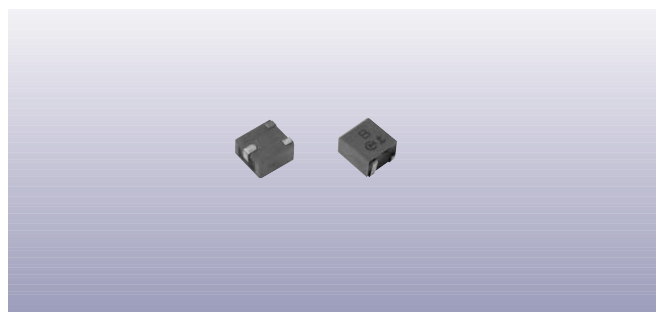
CFU & CFW Flat Group Delay Models

| Model Number | 6dB Bandwidth (kHz) min | Attenuation Bandwidth (kHz@dB) | Attenuation ±100kHz (dB) min | Insertion Loss (dB) max | Input/Output Impedance (ohms) |
|--------------|-------------------------|--------------------------------|------------------------------|-------------------------|-------------------------------|
| CFUS455BY | ±15.00 | ±35.00 40 | 25 | 5 | 1500 |
| CFUS455CY | ±12.50 | ±30.00 40 | 25 | 6 | 1500 |
| CFUS455DY | ±10.00 | ±25.00 40 | 23 | 7 | 1500 |
| CFUS455EY | ±7.50 | ±20.00 40 | 23 | 8 | 1500 |
| CFUS455FY | ±6.00 | ±17.50 40 | 23 | 9 | 2000 |
| CFUS455GY | ±4.50 | ±15.00 40 | 23 | 10 | 2000 |
| CFWS455BY | ±15.00 | ±35.00 50 | 40 | 6 | 1500 |
| CFWS455CY | ±12.50 | ±30.00 50 | 40 | 7 | 1500 |
| CFWS455DY | ±10.00 | ±25.00 50 | 40 | 8 | 1500 |
| CFWS455EY | ±7.50 | ±20.00 50 | 40 | 9 | 1500 |
| CFWS455FY | ±6.00 | ±17.50 50 | 40 | 10 | 2000 |
| CFWS455GY | ±4.50 | ±15.00 50 | 40 | 11 | 2000 |

CFUM & CFWM Flat Group Delay Models

| Model Number | 6dB Bandwidth (kHz) min | Attenuation Bandwidth (kHz@dB) | Attenuation ±100kHz (dB) min | Insertion Loss (dB) max | Input/Output Impedance (ohms) |
|--------------|-------------------------|--------------------------------|------------------------------|-------------------------|-------------------------------|
| CFUM455BY | ±15.00 | ±35.00 40 | 25 | 5 | 1500 |
| CFUM455CY | ±12.50 | ±30.00 40 | 25 | 6 | 1500 |
| CFUM455DY | ±10.00 | ±25.00 40 | 23 | 7 | 1500 |
| CFUM455EY | ±7.50 | ±20.00 40 | 23 | 8 | 1500 |
| CFUM455FY | ±6.00 | ±17.50 40 | 23 | 9 | 2000 |
| CFUM455GY | ±4.50 | ±15.00 40 | 23 | 10 | 2000 |
| CFWM455BY | ±15.00 | ±35.00 50 | 40 | 6 | 1500 |
| CFWM455CY | ±12.50 | ±30.00 50 | 40 | 7 | 1500 |
| CFWM455DY | ±10.00 | ±25.00 50 | 40 | 8 | 1500 |
| CFWM455EY | ±7.50 | ±20.00 50 | 40 | 9 | 1500 |
| CFWM455FY | ±6.00 | ±17.50 50 | 40 | 10 | 2000 |
| CFWM455GY | ±4.50 | ±15.00 50 | 40 | 11 | 2000 |

Surface Mount Ceramic Filters



CFUCG

| Model Number | 6dB Bandwidth (kHz) min | Attenuation Bandwidth (kHz@dB) | Attenuation ±100kHz (dB) min | Insertion Loss (dB) max | Input/Output Impedance (ohms) |
|--------------|-------------------------|--------------------------------|------------------------------|-------------------------|-------------------------------|
| CFUCG455D | ±10.00 | ±20.00 40 | 27 | 4 | 1500 |
| CFUCG455E | ±7.50 | ±15.00 40 | 27 | 6 | 1500 |
| CFUCG455F | ±6.00 | ±12.50 40 | 27 | 6 | 1500 |
| CFUCG455G | ±4.50 | ±10.00 40 | 25 | 6 | 1500 |

CFUCG_X

Narrow band Flat group delay

| Model Number | 6dB Bandwidth (kHz) min | Attenuation Bandwidth (kHz@dB) | Attenuation ±100kHz (dB) min | Insertion Loss (dB) max | Input/Output Impedance (ohms) |
|--------------|-------------------------|--------------------------------|------------------------------|-------------------------|-------------------------------|
| CFUCG455EX | ±7.50 | ±17.50 40 | 27 | 6 | 1500 |
| CFUCG455FX | ±6.00 | ±15.00 40 | 27 | 6 | 1500 |
| CFUCG455GX | ±4.50 | ±12.50 40 | 25 | 6 | 1500 |
| CFUCG455HX | ±3.00 | ±10.00 40 | 25 | 7 | 1500 |

SFGCG

| Model Number | 6dB Bandwidth (kHz) min | Attenuation Bandwidth (kHz@dB) | Attenuation ±100kHz (dB) min | Insertion Loss (dB) max | Input/Output Impedance (ohms) |
|--------------|-------------------------|--------------------------------|------------------------------|-------------------------|-------------------------------|
| SFGCG455AX | ±17.50 | ±40.00 40 | 25 | 4 | 1000 |
| SFGCG455BX | ±15.00 | ±35.00 40 | 25 | 5 | 1000 |
| SFGCG455CX | ±12.50 | ±30.00 40 | 25 | 6 | 1000 |
| SFGCG455DX | ±10.00 | ±25.00 40 | 23 | 7 | 1500 |
| SFGCG455EX | ±7.50 | ±20.00 40 | 23 | 8 | 1500 |

Ordering Information

Model number

eg: **CFUCG455D**

SFGCG455DX

Suffix -TC denotes T&R (450pcs per reel)

eg: **CFUCG455D-TC**



Types with centre frequency 450kHz also available
For safety purposes, connect the output of filters to the IF amplifier through a DC blocking capacitor. Avoid applying a direct current to the output of ceramic filters