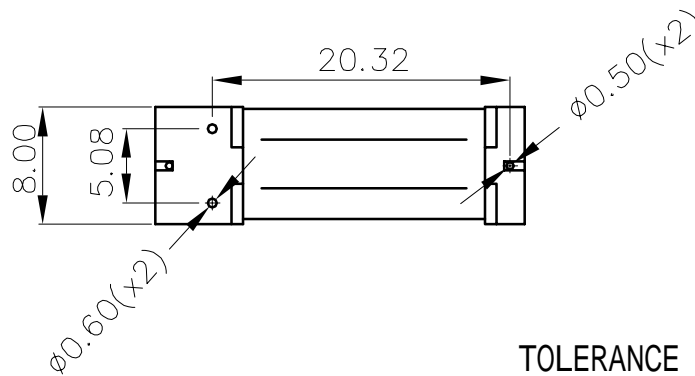
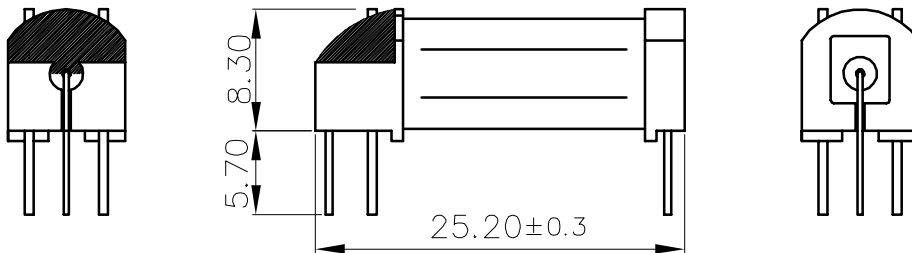


# PRODUCT SPECIFICATION

DATE: 10/24/'03

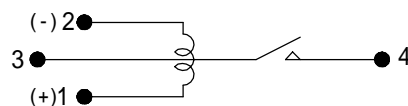
<b>COSMO</b> ELECTRONICS CORPORATION	REED RELAY: CG1A090000	NO. 50R27000	REV.
		SHEET 1 OF 2	1

## 1. OUTSIDE DIMENSION : UNIT ( mm )



TOLERANCE :  $\pm 0.2\text{mm}$

## 2. SCHEMATIC : TOP VIEW



# PRODUCT SPECIFICATION

DATE: 10/24/'03

<b>COSMO</b> ELECTRONICS CORPORATION	REED RELAY: <b>CG1A090000</b>	NO. 50R27000	REV. 1
		SHEET 2 OF 2	

### 3.0 COIL RATINGS: (AT 20 )

3.1	Coil resistance	700	(±10%)
3.2	Nominal coil voltage	9	VDC
3.3	Maximum Continuous voltage	15	VDC
3.4	Must operate	6.3	VDC
3.5	Must release	0.9	VDC
3.6	Rated current	12.9	mA

### 4.0 ELECTRONICAL CHARACTERISTICS:

4.1	Contact resistance	150	mΩ (max)
4.2	Operate time	1.0	ns (max)
4.3	Bounce time	0.5	ns (max)
4.4	Release time	0.5	ns (max)
4.5	Insulation resistance (500 VDC between coil & contact)	10 <sup>8</sup>	(min)
4.6	Power	10	VA (max)
4.7	Switching voltage	100	VDC (max)
4.8	Switching current	0.5	A (max)
4.9	Carry current	1.0	A (max)
4.10	Breakdown voltage (across open contact)	200	VDC (1sec)
	(between coil & contact)	3000	VDC (1sec)
4.11	Life expectancy (6V, 10mA)	10 <sup>7</sup>	
4.12	Temperature Range	-30 to 60	
4.13	Humidity Range	-45 to 85% RH.	
4.14	Shock Endurance	100G (Min)	
4.15	Shock Error Operation	13G (Min)	
4.16	Vibration Endurance	10 to 55HZ Double Amplitude	1.5mm
4.17	Vibration Error Operation	10 to 55HZ Double Amplitude	1.5mm
4.18	Minimum permissible load	1VDC, 1mA	