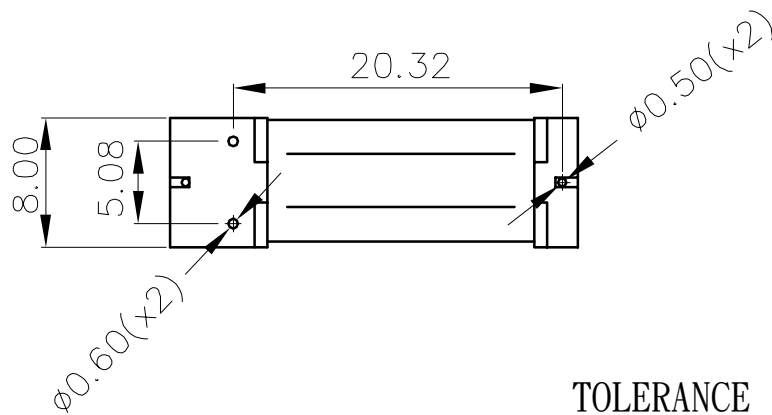
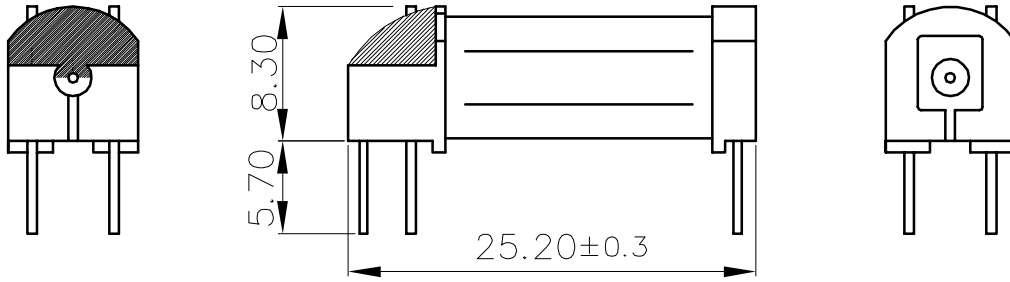


# PRODUCT SPECIFICATION

DATE: 12/04/'03

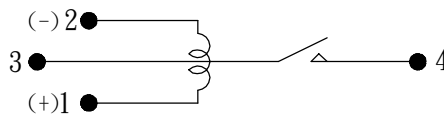
|                                  |                           |              |           |
|----------------------------------|---------------------------|--------------|-----------|
| COSMO<br>ELECTRONICS CORPORATION | REED RELAY:<br>CG1A240000 | NO. 50R27005 | REV.<br>1 |
|                                  |                           | SHEET 1 OF 2 |           |

## 1. OUTSIDE DIMENSION : UNIT ( mm )



TOLERANCE :  $\pm 0.2$ mm

## 2. SCHEMATIC : TOP VIEW



# PRODUCT SPECIFICATION

DATE: 12/04/' 03

|                                  |             |              |      |
|----------------------------------|-------------|--------------|------|
| COSMO<br>ELECTRONICS CORPORATION | REED RELAY: | NO. 50R27005 | REV. |
|                                  | CG1A240000  | SHEET 2 OF 2 | 1    |

## 3.0 COIL RATINGS: (AT 20°C)

|     |                            |               |                |
|-----|----------------------------|---------------|----------------|
| 3.1 | Coil resistance            | 2080 $\Omega$ | ( $\pm 10\%$ ) |
| 3.2 | Nominal coil current       | 24            | VDC            |
| 3.3 | Maximun Continuous voltage | 38.4          | VDC            |
| 3.4 | Must operate               | 16.8          | VDC            |
| 3.5 | Must release               | 2.4           | VDC            |
| 3.6 | Rated current              | 11.5          | mA             |

## 4.0 ELECTRONICAL CHARACTERISTICS:

|      |  |            |                  |        |
|------|--|------------|------------------|--------|
| 4.1  | Contact resistance                           | 150        | m $\Omega$       | (max)  |
| 4.2  | Operate time                                 | 1.0        | ms               | (max)  |
| 4.3  | Bounce time                                  | 0.5        | ms               | (max)  |
| 4.4  | Release time                                 | 0.5        | ms               | (max)  |
| 4.5  | Insulation resistance (100 VDC open contact) | $10^9$     | $\Omega$         | (min)  |
|      | (between coil & contact 500VDC)              | $10^8$     | $\Omega$         | (min)  |
| 4.6  | Power  | 10         | VA               | (max)  |
| 4.7  | Switching voltage                            | 100        | VDC              | (max)  |
| 4.8  | Switching current                            | 0.5        | A                | (max)  |
| 4.9  | Carry current                                | 1.0        | A                | (max)  |
| 4.10 | Breakdown voltage (across open contact)      | 200        | VDC              | (1sec) |
|      | (between coil & contact)                     | 3000       | VDC              | (1sec) |
| 4.11 | Life expectancy (6V, 10mA)                   | $10^7$     |                  |        |
| 4.12 | Temperature Range                            | -30        | to 60°C          |        |
| 4.13 | Humidity Range                               | -45        | to 85% RH.       |        |
| 4.14 | Shock Endurance                              | 100G       | (Min)            |        |
| 4.15 | Shock Error Operation                        | 13G        | (Min)            |        |
| 4.16 | Vibration Endurance                          | 10 to 55HZ | Double Amplitude | 1.5mm  |
| 4.17 | Vibration Error Operation                    | 10 to 55HZ | Double Amplitude | 1.5mm  |
| 4.18 | Minimun permissible load                     | 1VDC,      | 1mA              |        |