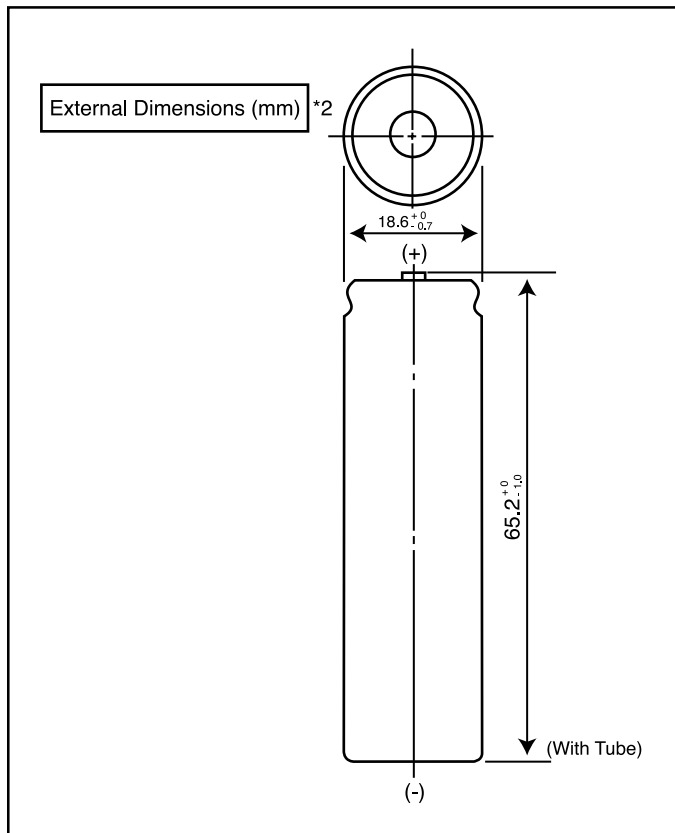


CGR18650AF: Cylindrical Model



To ensure safety, the referenced Li-ion cell is not sold as a bare cell. Li-ion cells must be integrated with the appropriate safety circuitry via an authorized Panasonic Li-ion pack assembler.

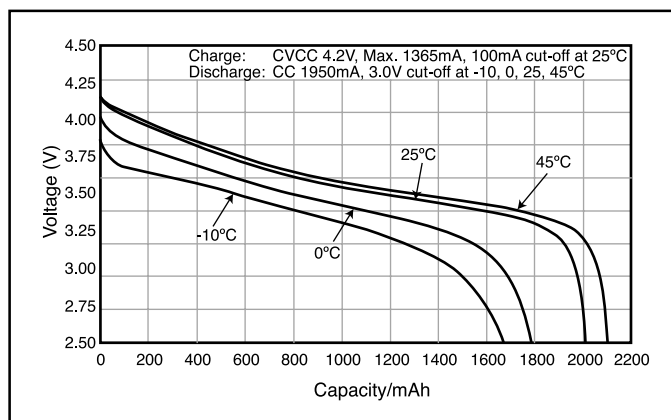
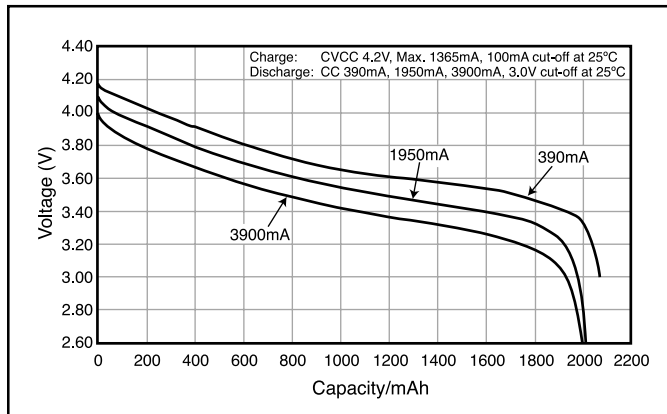
Specifications

| | | |
|---------------------------------------|-----------------|-----------------|
| Nominal Voltage | | 3.6 V |
| Standard Capacity^{*1} | | 2050mAh |
| Dimensions^{*2} | Diameter | 18.6 + 0/-0.7mm |
| | Height | 65.2 + 0/-1.0mm |
| | Weight | Approx. 42.5g |

*1 After a fresh battery has been charged at constant voltage/constant current (4.2 V, 1365mA (max), 100mA cut-off, 25°C), the average of the capacity (ending voltage of 3 V at 25°C) that is discharged at a standard current (390mA).

*2 Dimensions of a fresh battery

Discharge Characteristics



Charge Characteristics

