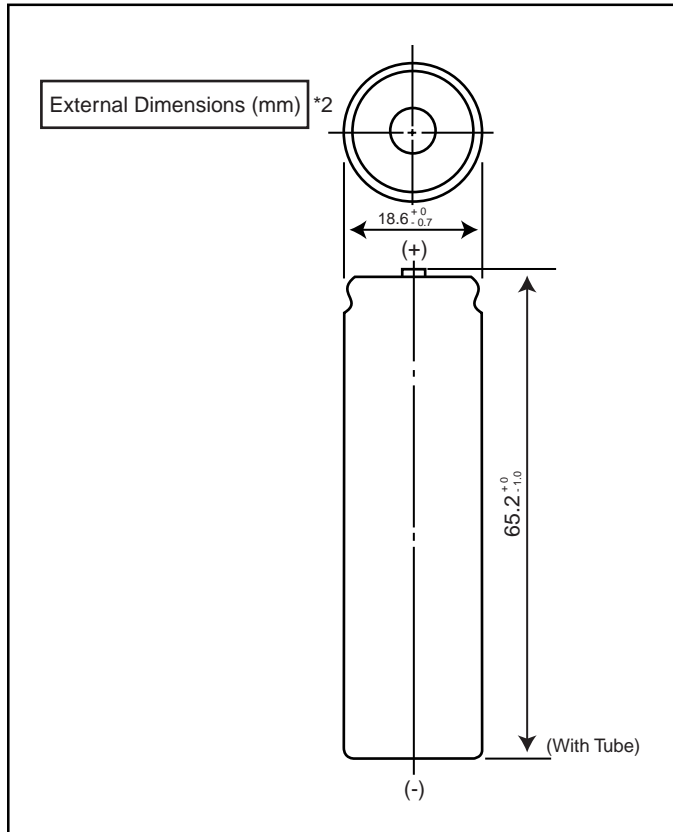


CGR18650D: Cylindrical Model



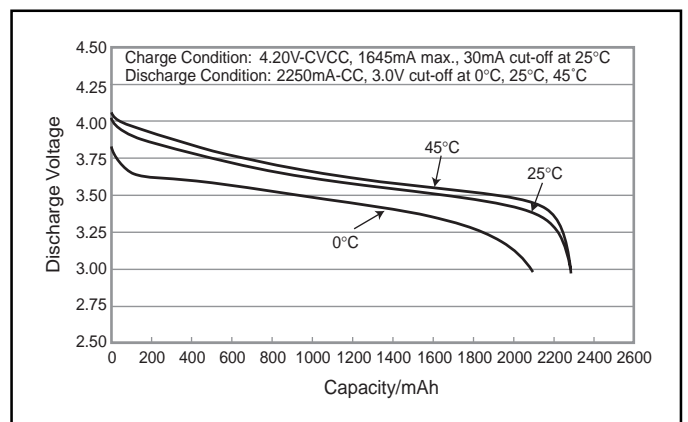
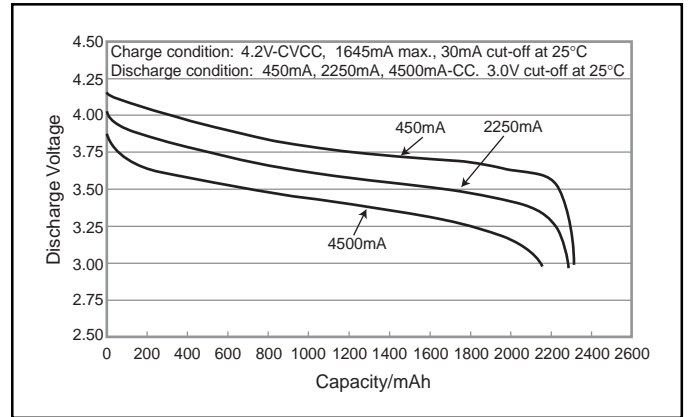
Specifications

Nominal Voltage		3.6V
Standard Capacity *1		2350mAh
Dimensions*2	Diameter	18.6 +0/-0.7mm
	Height	65.2 +0/-1.0mm
	Weight	Approx. 45g

*1 After a fresh battery has been charged at constant voltage/constant current (4.2 V, 1428mA (max), 2 hours, 20°C), the average of the capacity (ending voltage of 3 V at 20°C) that is discharged at a standard current (408mA).

*2 Dimensions of a fresh battery

Discharge Characteristics



Charge Characteristics

