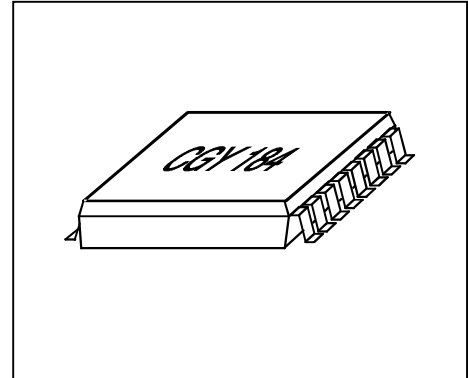


GaAs MMIC

Preliminary Data

- Power amplifier for PCN applications
- 2.5 W (34dBm) output power at 3.5 V
- Overall power added efficiency 43 %
- Fully integrated 4 stage amplifier
- Power ramp control
- Input matched to 50 ohms, simple output match



ESD: **E**lectrostatic **d**ischarge sensitive device,
observe handling precautions!

Type	Marking	Ordering code (taped)	Package ¹⁾
CGY 184	CGY 184	Q62702G62	MW 16

Maximum ratings

Characteristics	Symbol	max. Value	Unit
Positive supply voltage	V_D	9	V
Supply current	I_D	4	A
Channel temperature	T_{Ch}	150	°C
Storage temperature	T_{stg}	-55...+150	°C
Pulse peak power dissipation duty cycle 12.5%, $t_{on}=0.577ms$	$PPulse$	tbd	W
Total power dissipation ($T_c \square 82 \text{ }^\circ\text{C}$) T_c : Temperature on case	P_{tot}	8.5	W

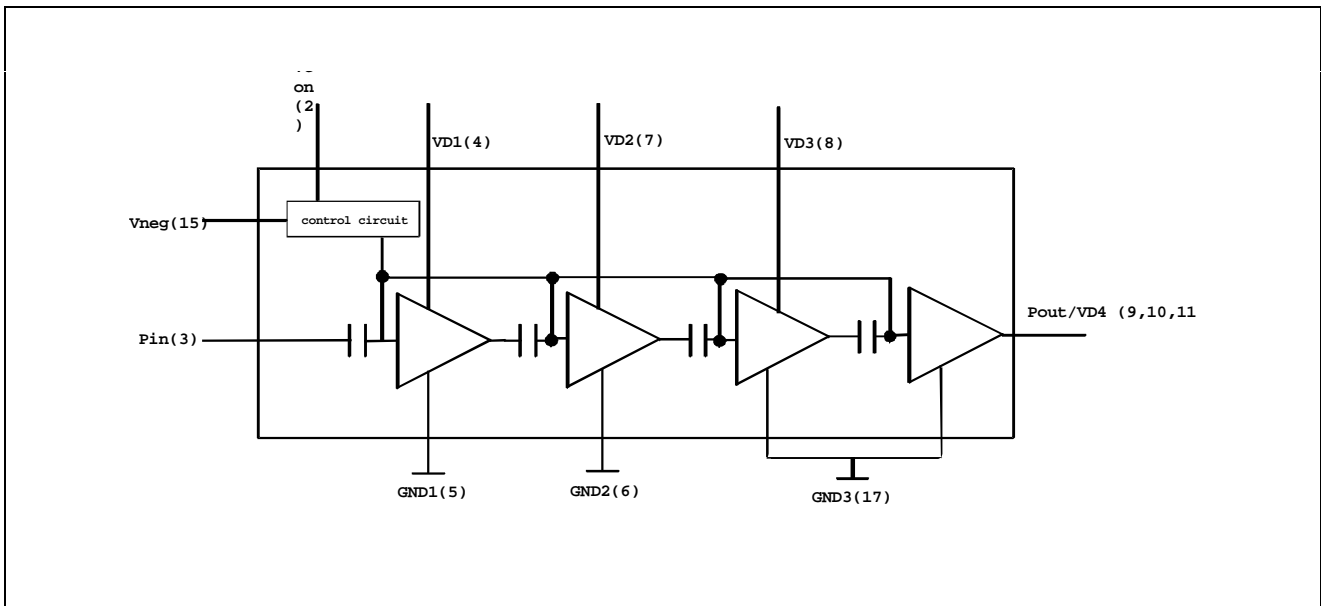
Thermal Resistance

Characteristics	Symbol	max. Value	Unit
Junction-Case ²⁾	R_{thJC}	≤ 8.5	K/W

¹⁾ Dimensions see page 14

²⁾ see also page 9

Functional block diagram



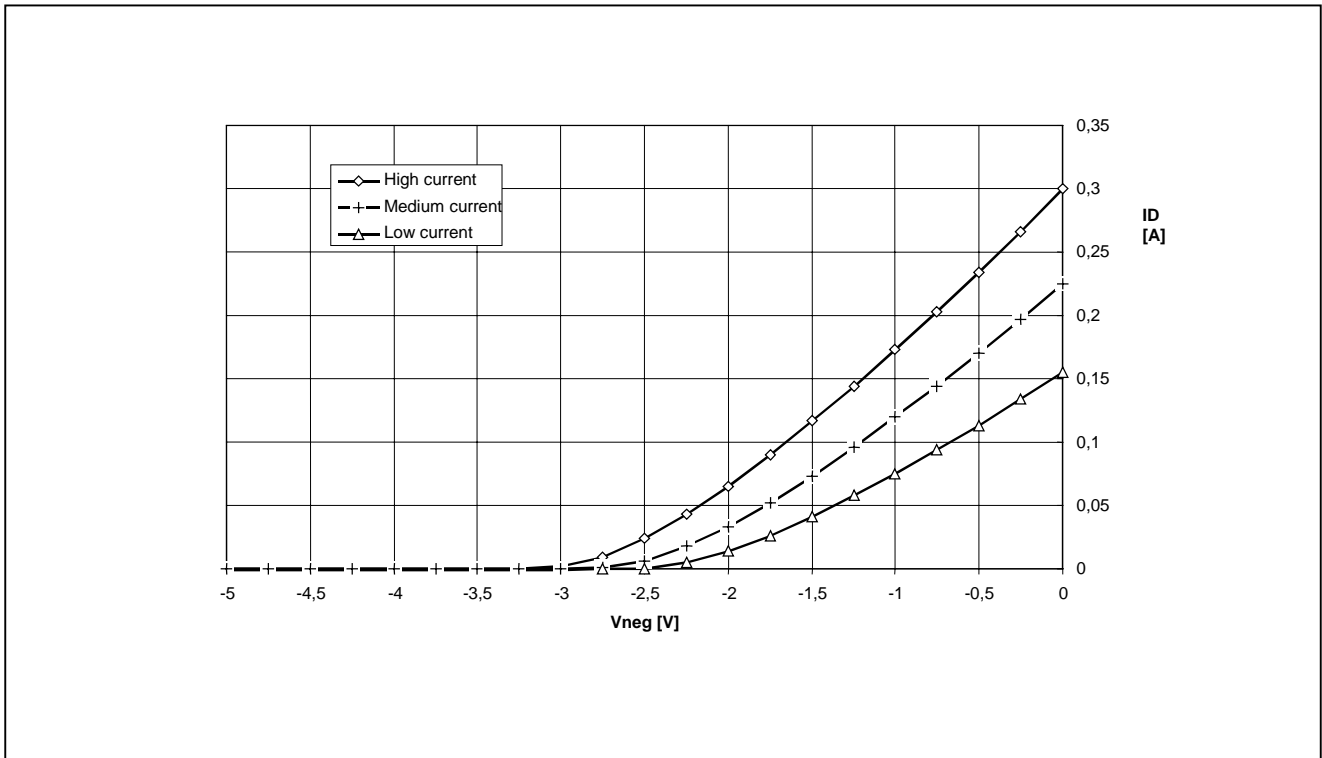
Pin #		Configuration
1	n. c.	
2	V_{con}	Control voltage for power ramping
3	P_{IN}	RF-input
4	V_{D1}	Drain voltage 1st stage
5	Gnd1	Ground pin 1st stage
6	Gnd2	Ground pin 2nd stage
7	V_{D2}	Drain voltage 2nd stage
8	V_{D3}	Drain voltage 3rd stage
9,10,11	P_{OUT}/V_{D4}	Drain voltage 4th stage and RF-output
12	n. c.	
13	n. c.	
14	n. c.	
15	V_{neg}	Block capacitor negativ voltage generator
16	n. c.	
(17)	GND3	Ground (backside of MW16 housing)

Electrical characteristics

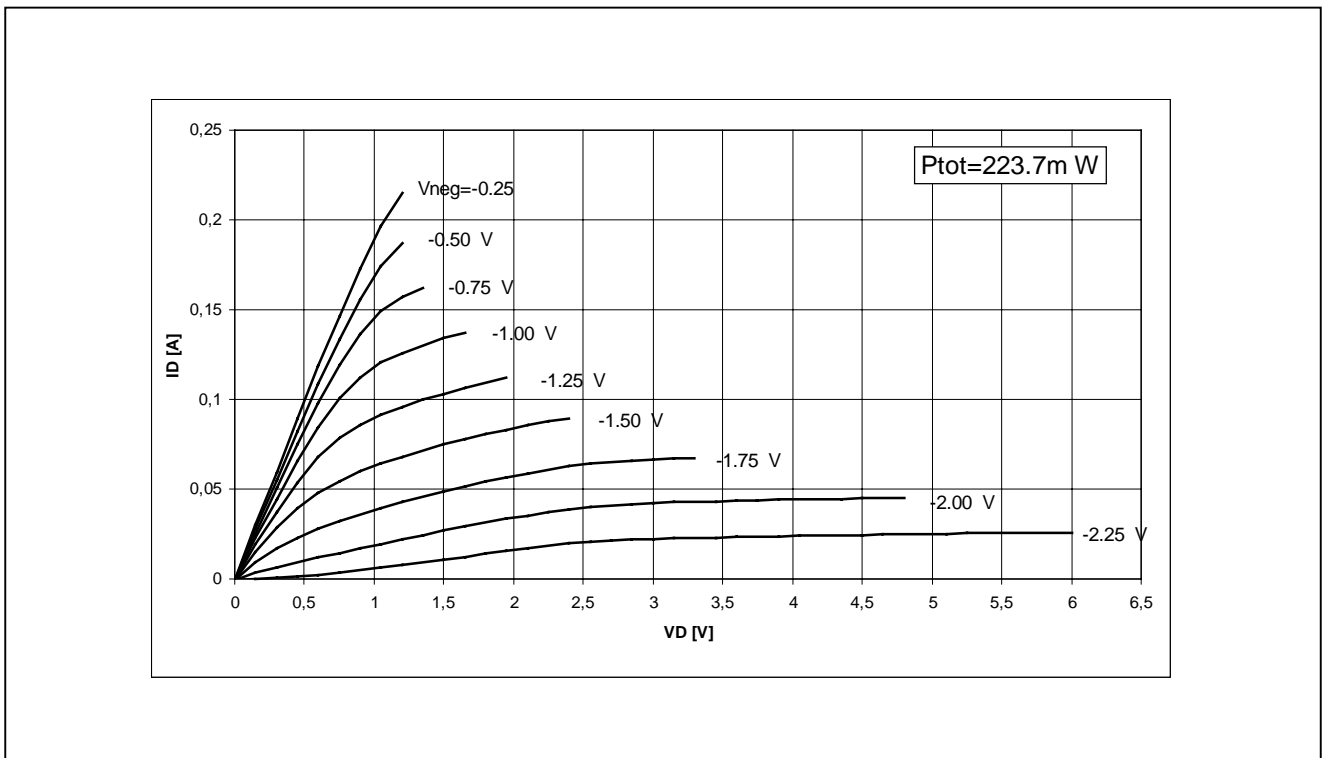
($T_A = 25^\circ\text{C}$, $f = 1.75\text{ GHz}$, $Z_S = Z_L = 50\text{ Ohm}$, $V_D = 3.5\text{V}$, $V_{aux} = 3.5\text{V}$, $V_{control} = 2.5\text{V}$, unless otherwise specified; pulsed with a duty cycle of 12.5%, $t_{on} = 577\text{usec}$)

Characteristics	Symbol	min	typ	max	Unit
Supply current $V_D = 3.5\text{V}$; $P_{in} = 0\text{dBm}$	I_{DD}	-	1.67	-	A
Supply current neg. voltage gener. $V_{aux} = 3.5\text{V}$	I_{aux}	-	10	-	mA
Control Current	I_C		2	3	mA
Shut-off current ($V_C = 0\text{V}$, $V_D = 3.5\text{V}$, no RF- drive)	I_D		40		μA
Small signal gain $P_{in} = -10\text{dBm}$	G	-	40	-	dB
Power gain $V_D = 3.5\text{V}$; $P_{in} = 0\text{dBm}$	G	-	34	-	dB
Output Power $V_D = 3.5\text{V}$; $P_{in} = 0\text{dBm}$	P_O	-	34	-	dBm
Power gain $V_D = 3.5\text{V}$; $P_{in} = 0\text{dBm}$, $T = 85^\circ\text{C}$	G	-	33.7	-	dB
Output Power $V_D = 3.5\text{V}$; $P_{in} = 0\text{dBm}$, $T = 85^\circ\text{C}$	P_O	-	33.7	-	dBm
Overall Power added Efficiency $V_D = 3.5\text{V}$; ; $V_C = 2.5\text{V}$; $P_{in} = 0\text{dBm}$	\square	-	43	-	%
Dynamic range ($P_{out,max} - P_{out,min}$) $V_C = 0.5 \dots 2.5\text{V}$		-	80	-	dB
Harmonics $V_C = 2.2\text{V}$, $P_{in} = 0\text{dBm}$	$2f_0$ $3f_0$	- -	-60 -40	- -	dBc
RX-Noise Power $V_C = 2.2\text{V}$; $P_{in} = 0\text{dBm}$; $f_{RX} = 1.805 \dots 1.88\text{GHz}$		-	-80	-	dBm/ 100kHz
Input VSWR $V_D = 3.5\text{V}$	-	-	1.8 : 1	-	-

DC-ID(Vneg) characteristics – typical values of stage 1 and 2, $V_D=3V$

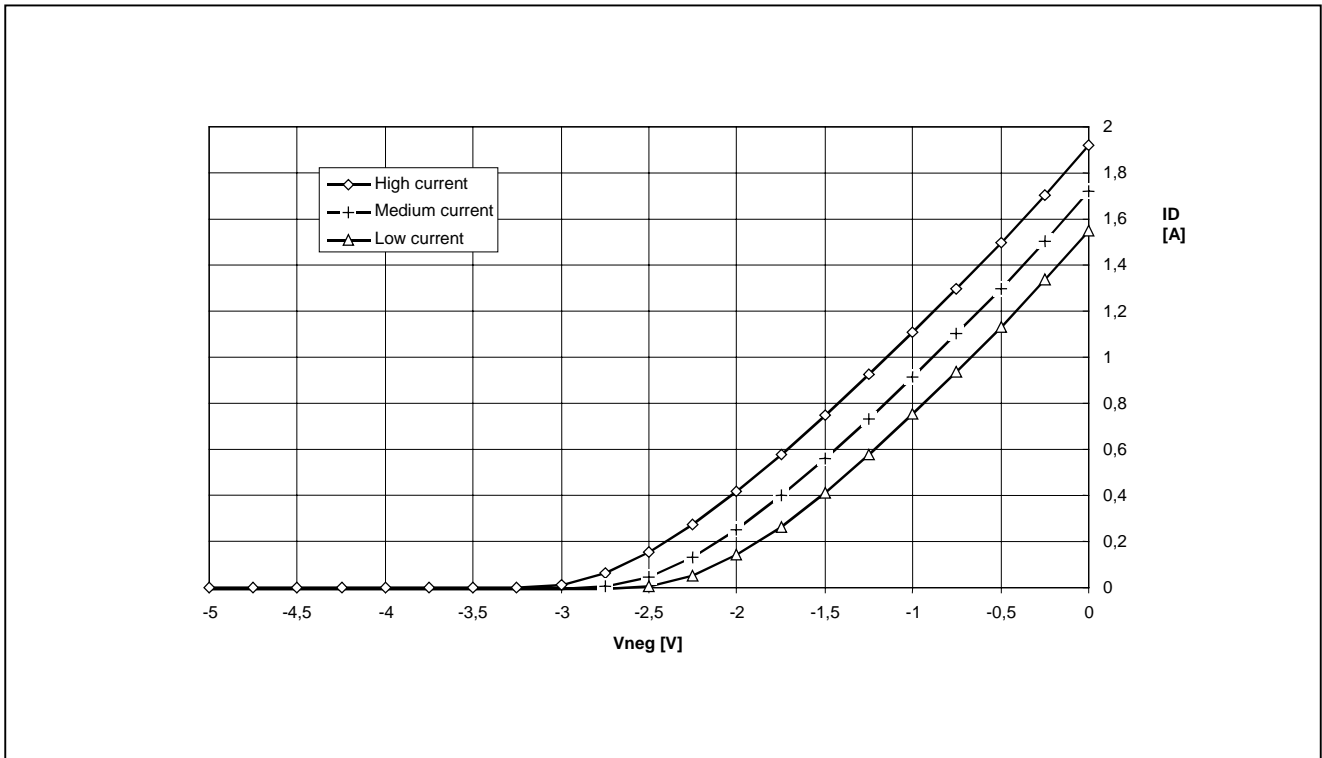


DC-Output characteristics – typical values of stage 1 and 2

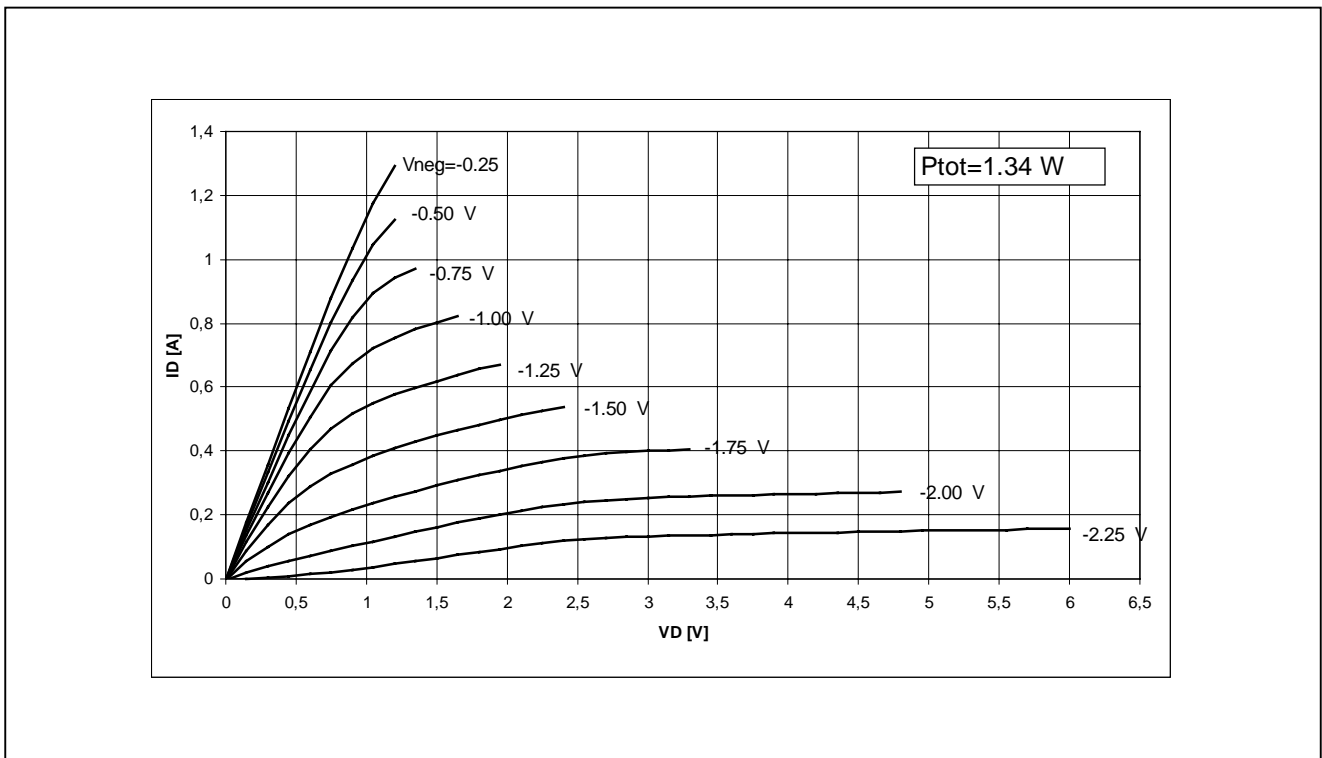


Pin 2(V_{con}) has to be open during measuring DC-characteristics

DC-ID(Vneg) characteristics – typical values of stage 3, VD=3V

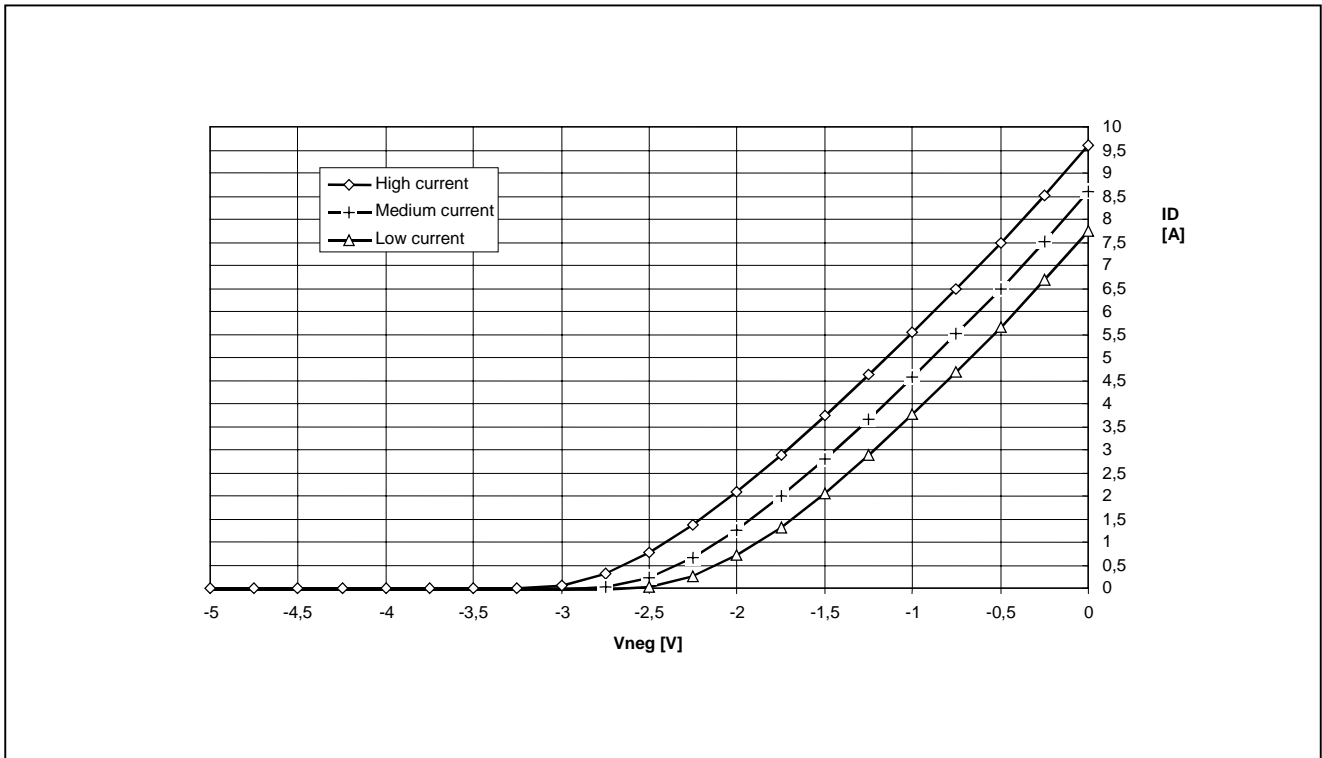


DC-Output characteristics – typical values of stage 3

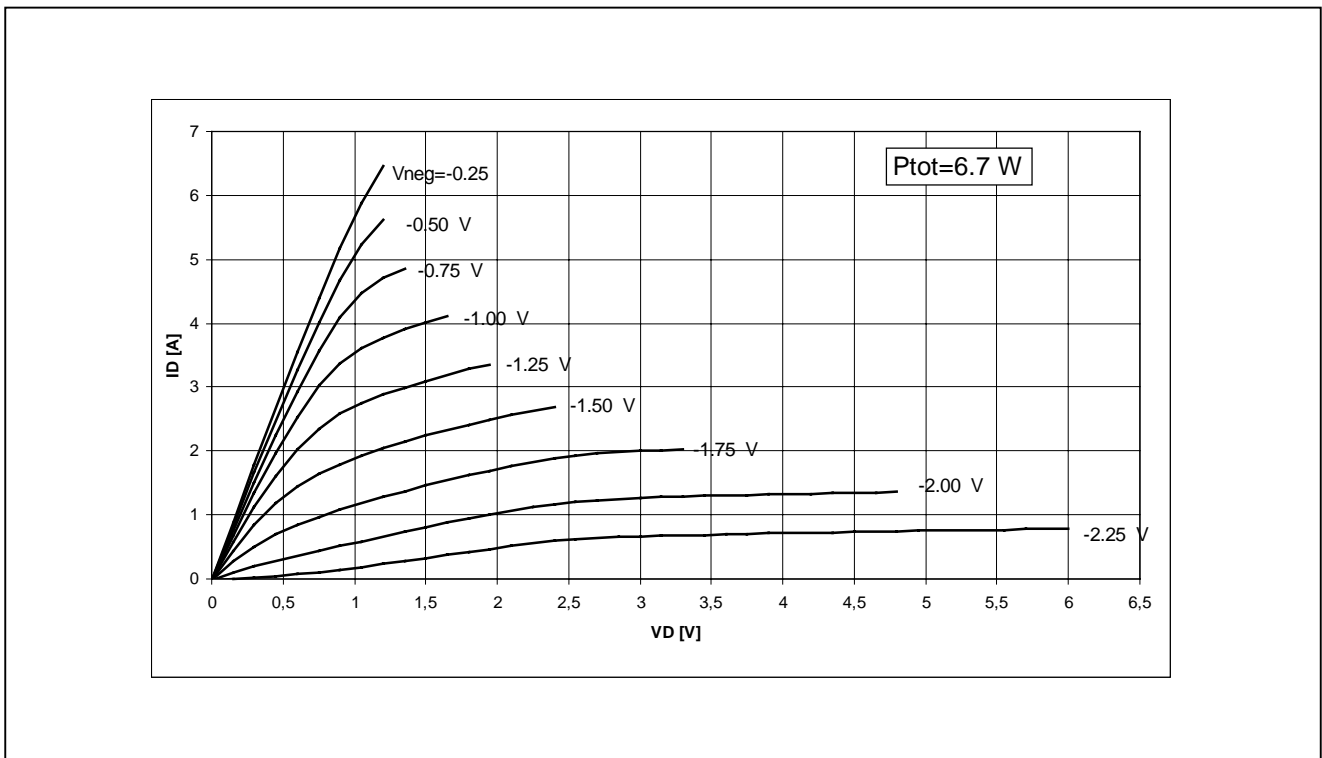


Pin 2(Vcon) has to be open during measuring DC-characteristics

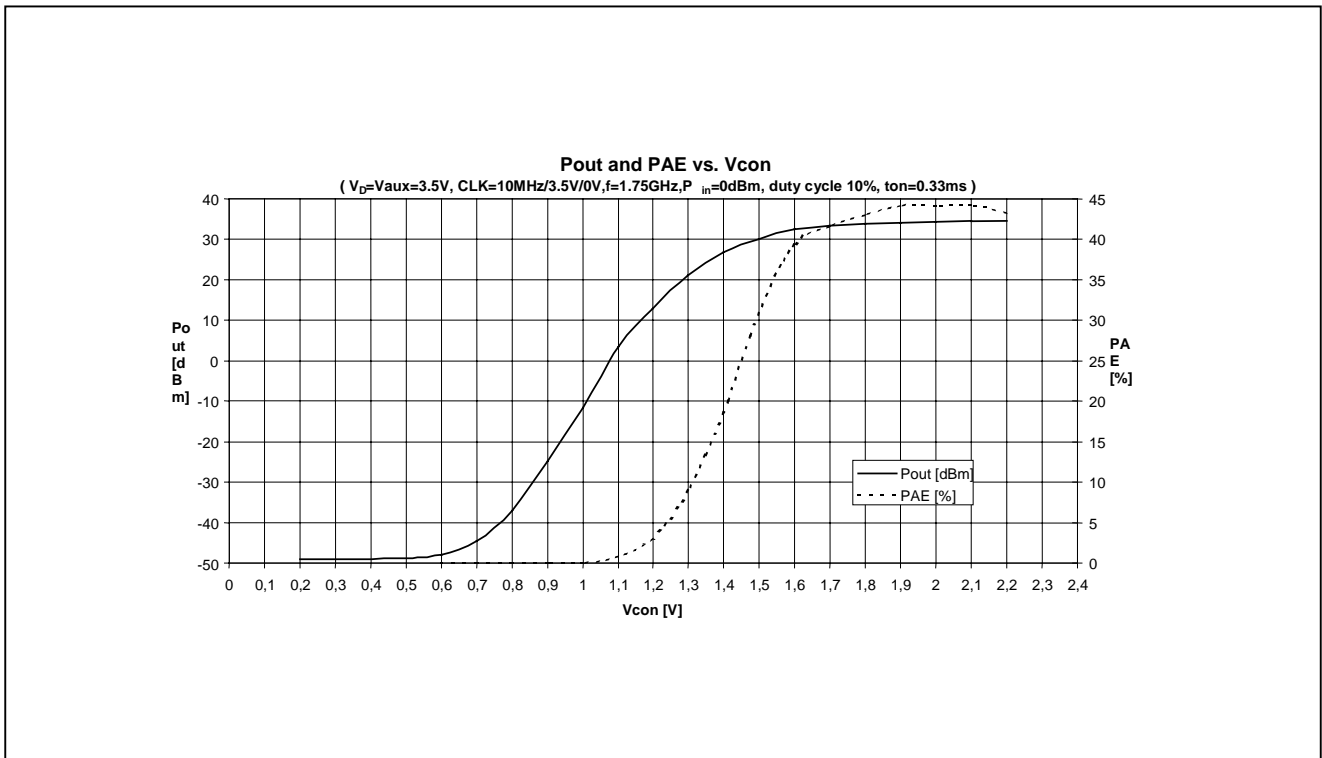
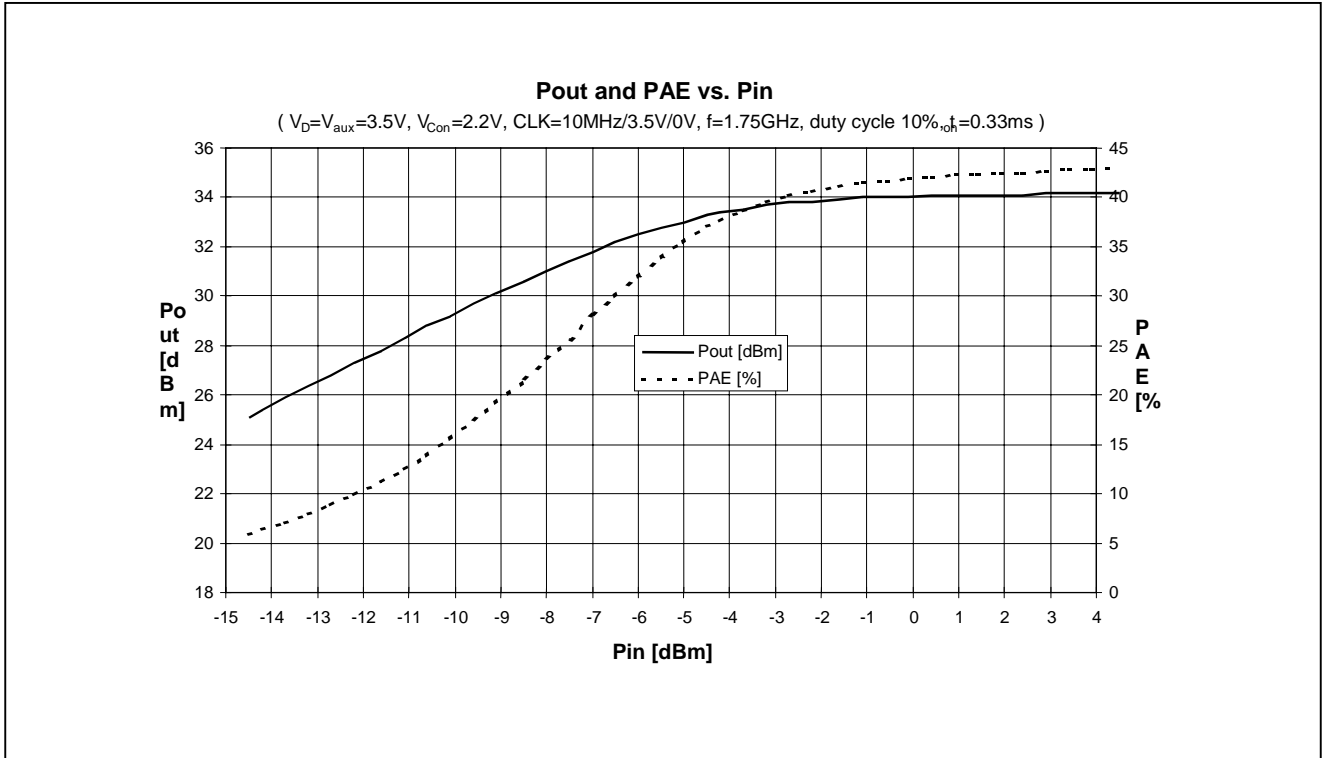
DC-ID(Vneg) characteristics – typical values of stage 4, VD=3V

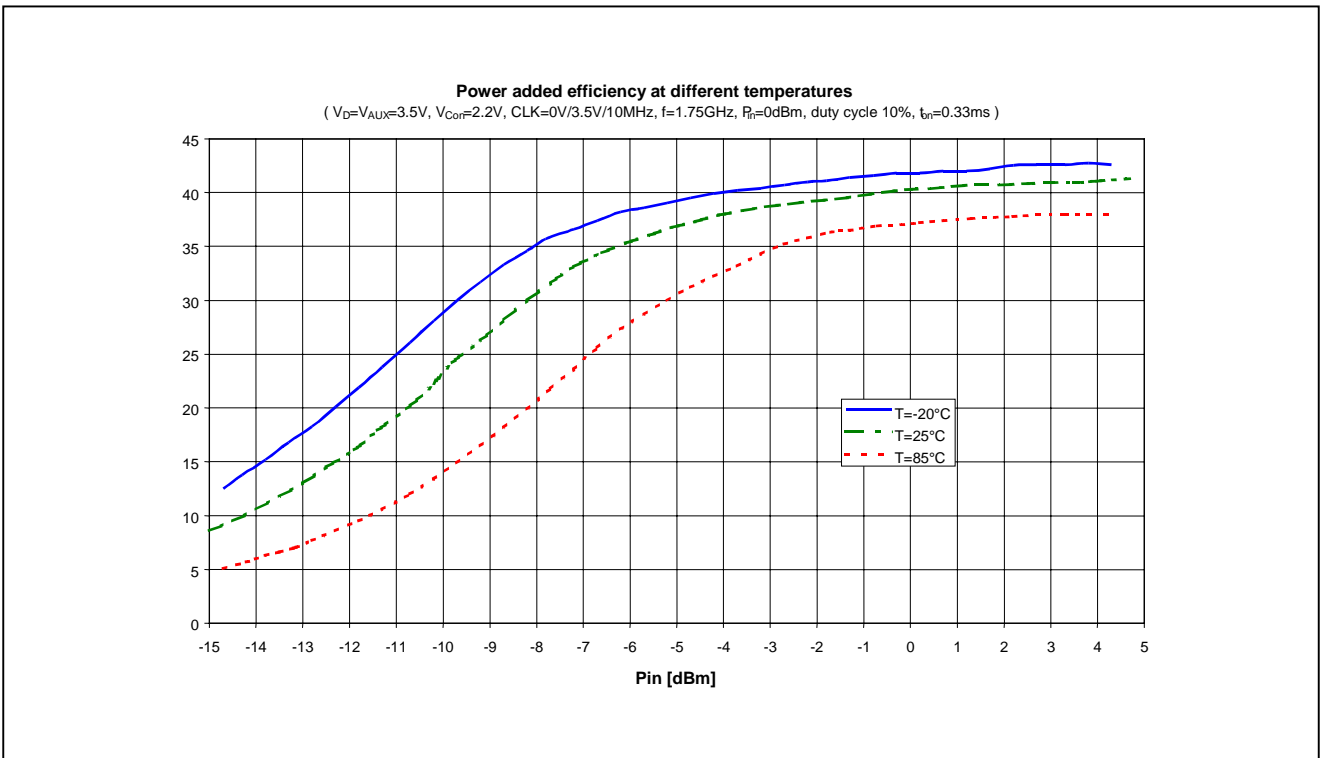
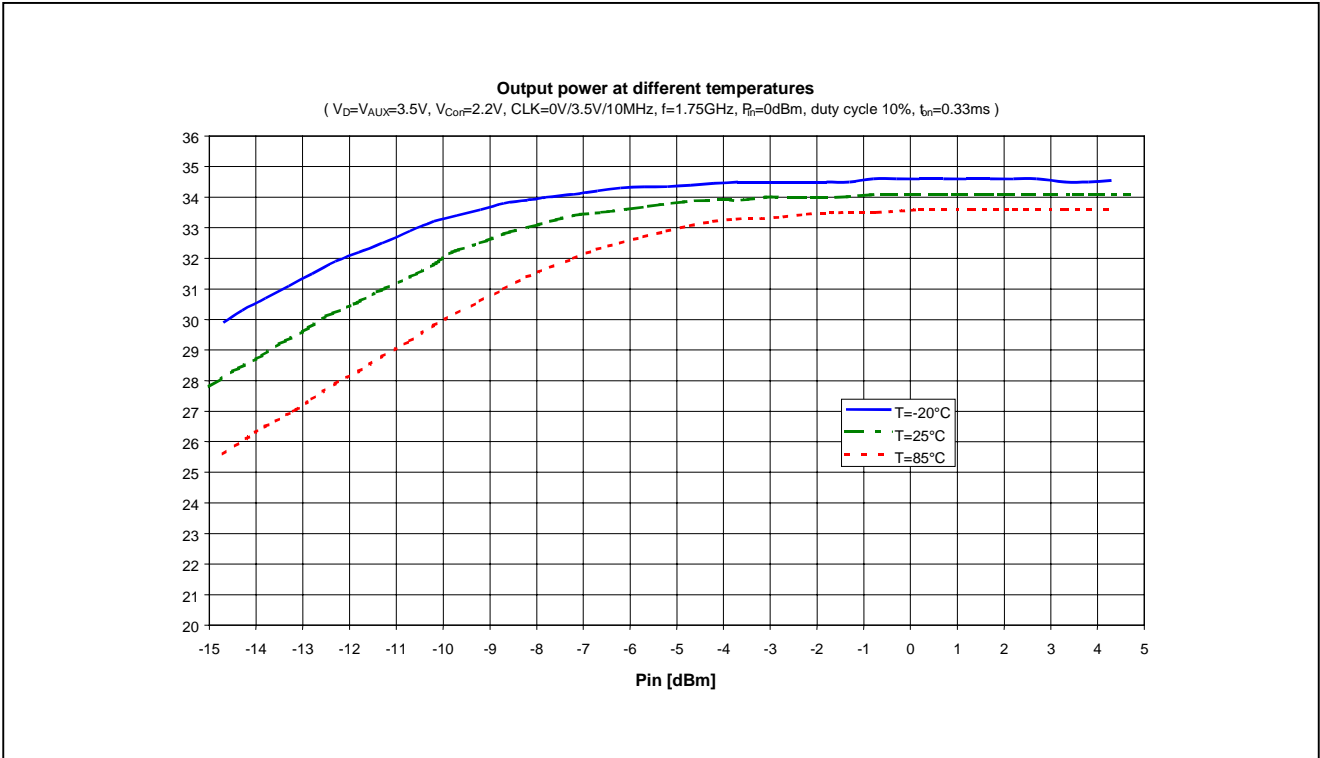


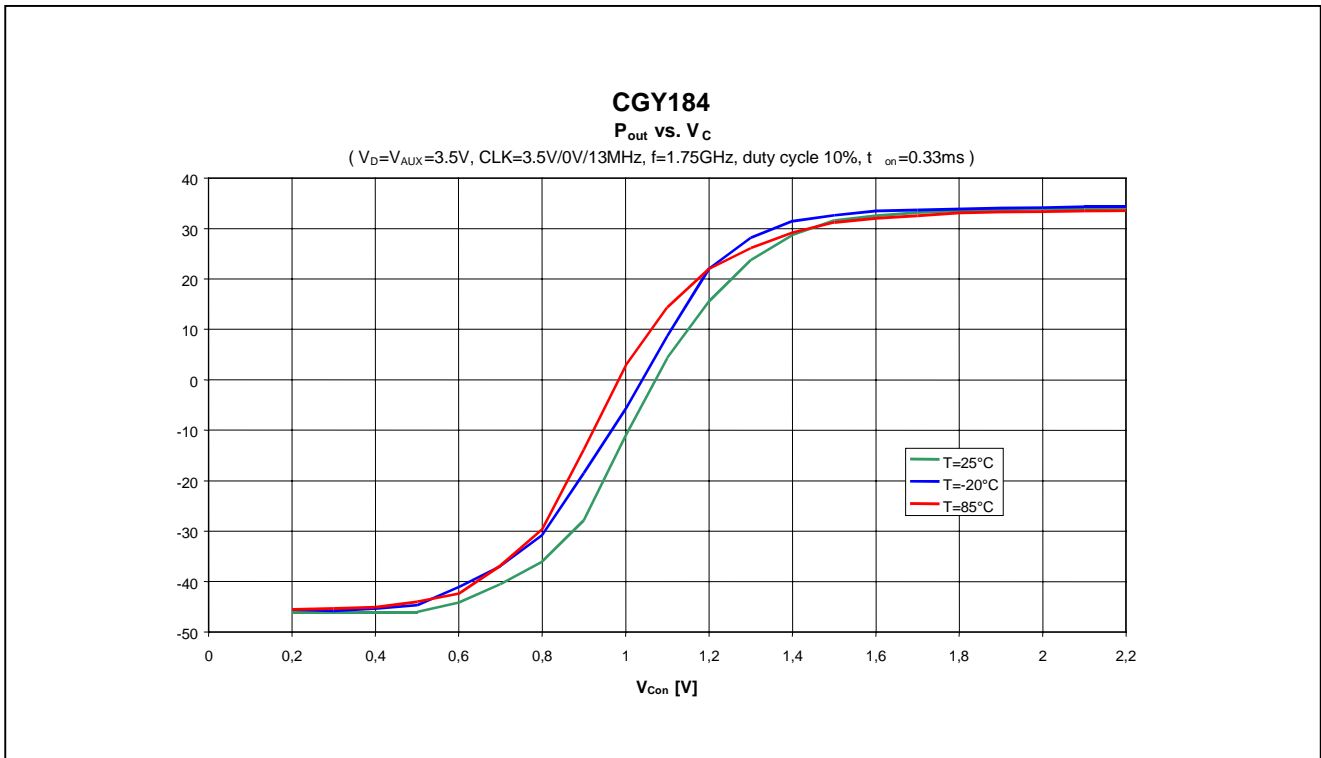
DC-Output characteristics – typical values of stage 4



Pin 2(Vcon) has to be open during measuring DC-characteristics



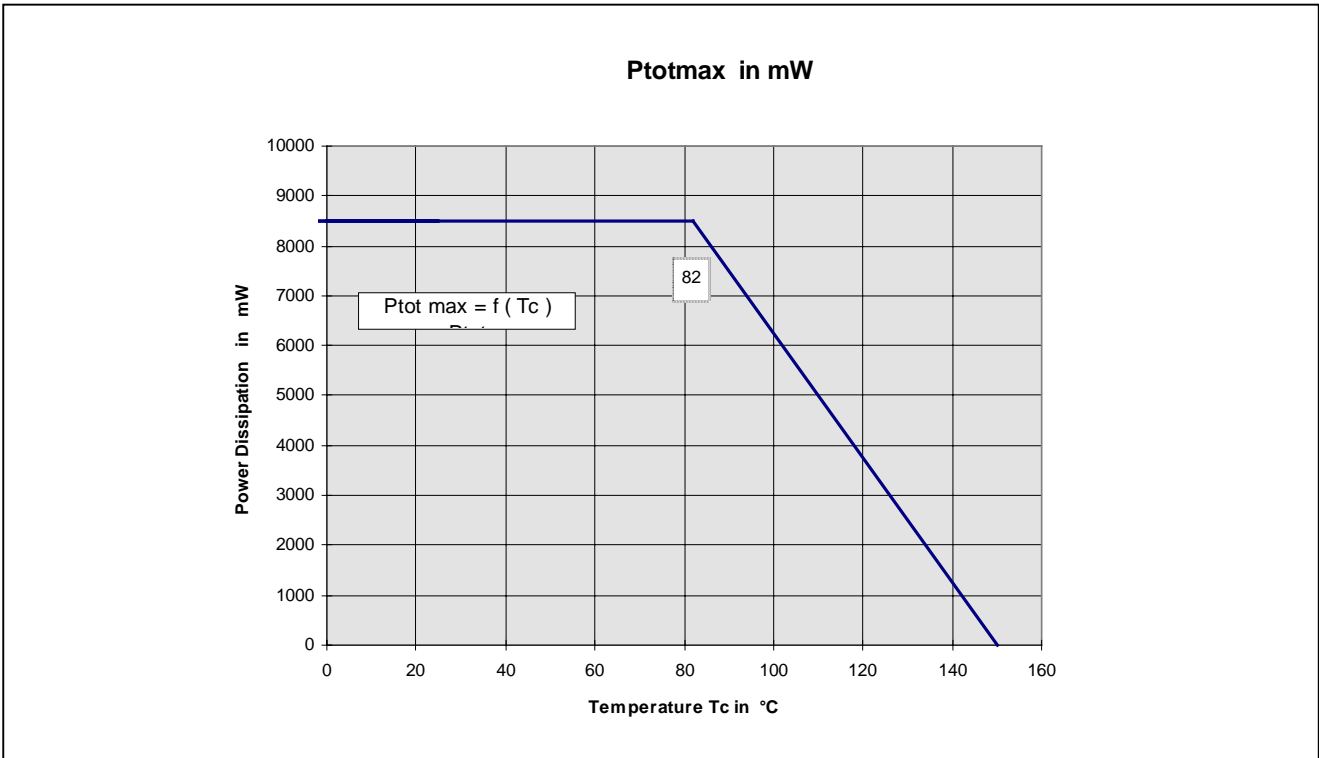
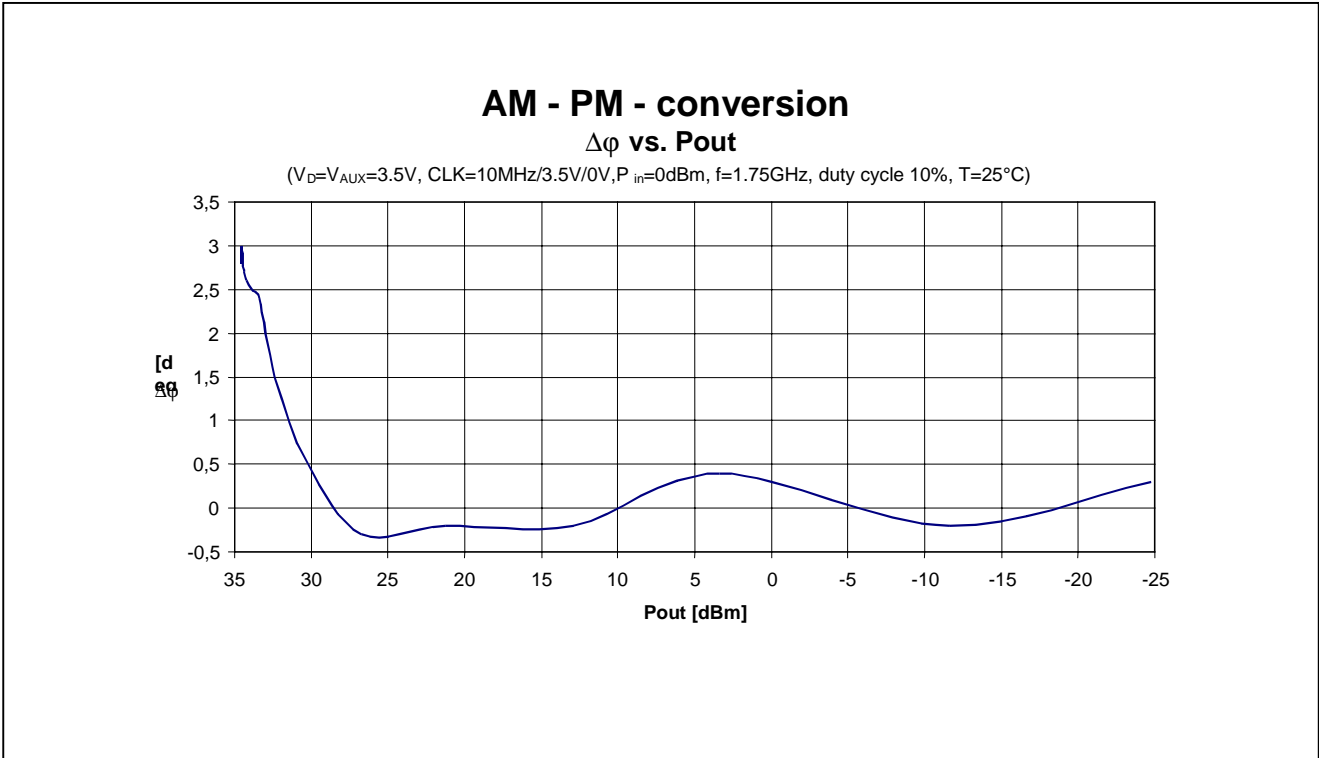




AM – PM Conversion:

(Conditions: V_D=V_{AUX}=3.5V, f=1.75GHz, CLK=10MHz/3.5V/0V, P_{out} controlled by V_{Con})

V _{Con} [V]	Δφ [deg/dB]	P _{out} [dBm]
2,2	2,8	34,53
2,1	3	34,53
2	2,7	34,37
1,9	2,6	34,2
1,8	2,5	33,87
1,7	2,4	33,37
1,6	1,5	32,37
1,5	0,5	30,2
1,4	-0,3	26,7
1,3	-0,2	21,2
1,2	-0,2	12,87
1,1	0,4	3,37
1	-0,2	-11,63
0,9	0,3	-24,8

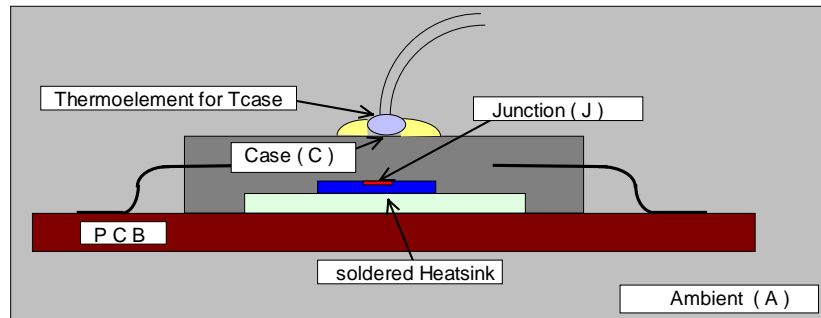


Thermal Resistance and Temperature Considerations:

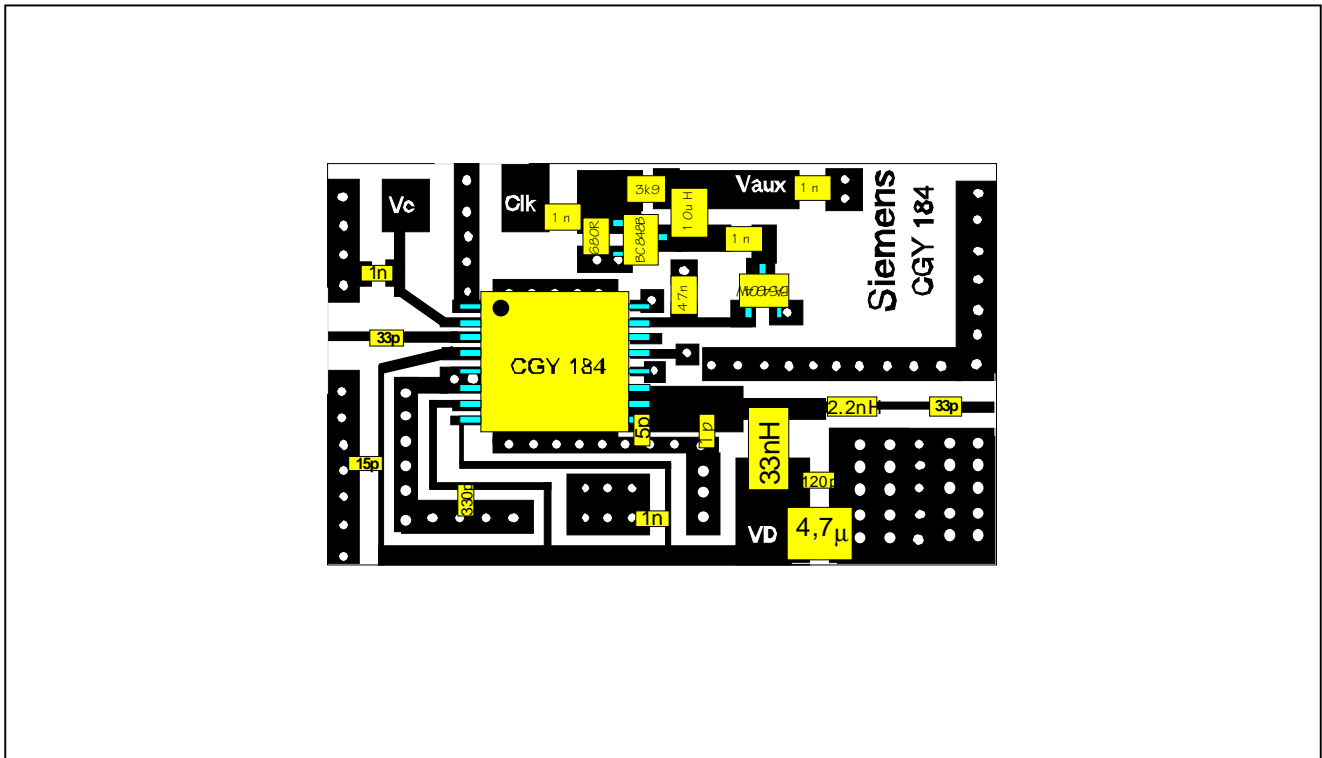
Because the MW16 heat sink is not easily accessible to a temperature measurement the thermal resistance is defined as R_{thJC} using the case temperature T_C

- Calculation of Junction Temperature T_J :

$$T_J = T_C + R_{thJC} * P_{tot}$$
- Measurement of Case Temperature T_C :
 T_C should be measured in operation at the upper side of the case where the temperature is highest. Small thermoelements $\leq 1\text{mm}$ (thin wires, thermopaste) and thermopapers with low heat dissipation are well suited.



CGY184 application board:



Layout size is 32mm x 19mm

Connections:

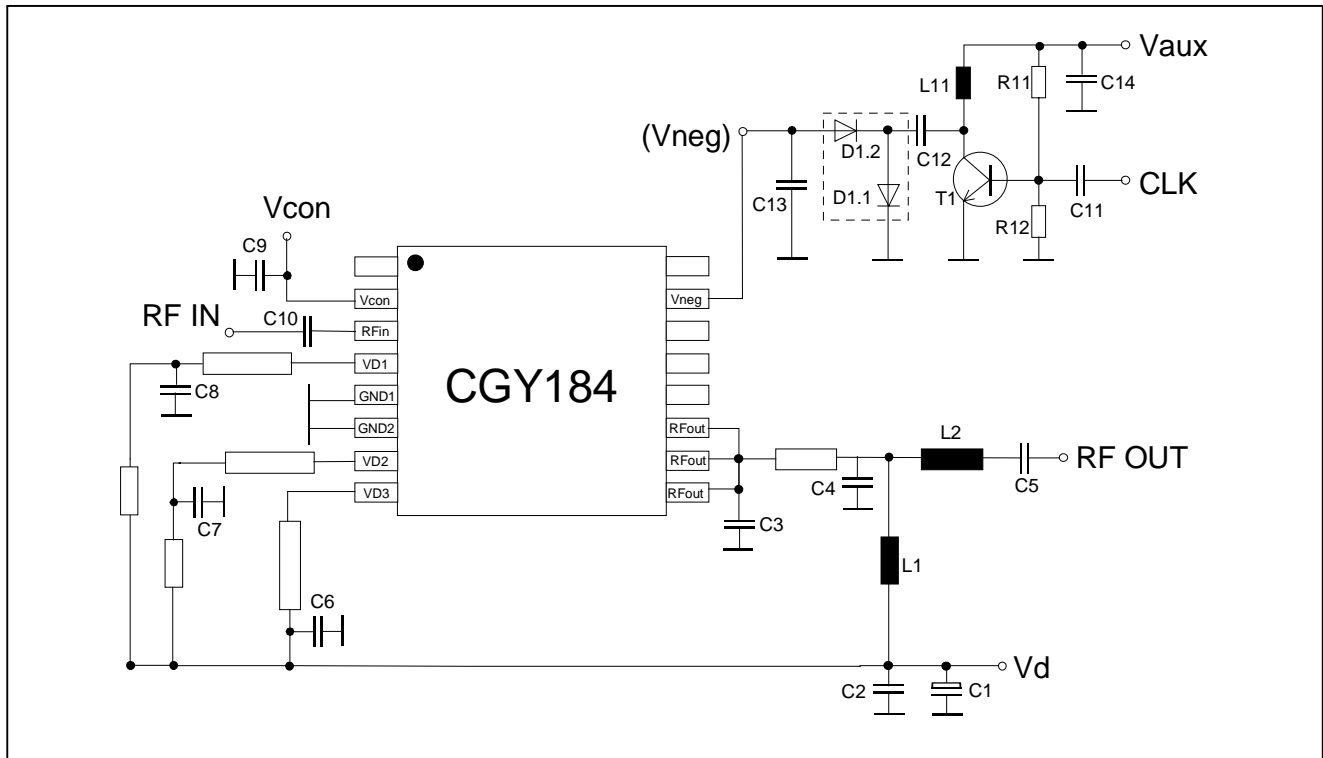
- Vd 2.7 to 6VDC, pulsed (PCN: 12,5% duty cycle, $t_{on}=0.577ms$)
- Vaux 2.7 to 6VDC
- Vcontrol 0.2 to 2.2VDC (0.2V: min Pout, 2.2V: max Pout)
- CLK 5 MHz to 15 MHz (with a 10uH inductor)
or 150 kHz to 250 kHz (with a 100uH inductor instead of the 10uH)
(rectangular signal, 50% duty, 0 Volt to Vd voltage level)

Power on sequence:

1. continuous clock (CLK) on
2. turn on Vaux ==> check negative voltage at pin#16 (-4.....-10V)
3. turn on Vcon (may be at the same time as 2)
turn on Drainvoltage Vd
turn on Input Power

Operation without using the negative voltage generator:

If you don't want to use the internal negative voltage generator, you can also apply -4....-6 V at pin#15 (Vneg-Pin). In this case the passive devices at the pins 1, 14 and 16 are not necessary (1 inductor and 3 capacitors).



Part List:

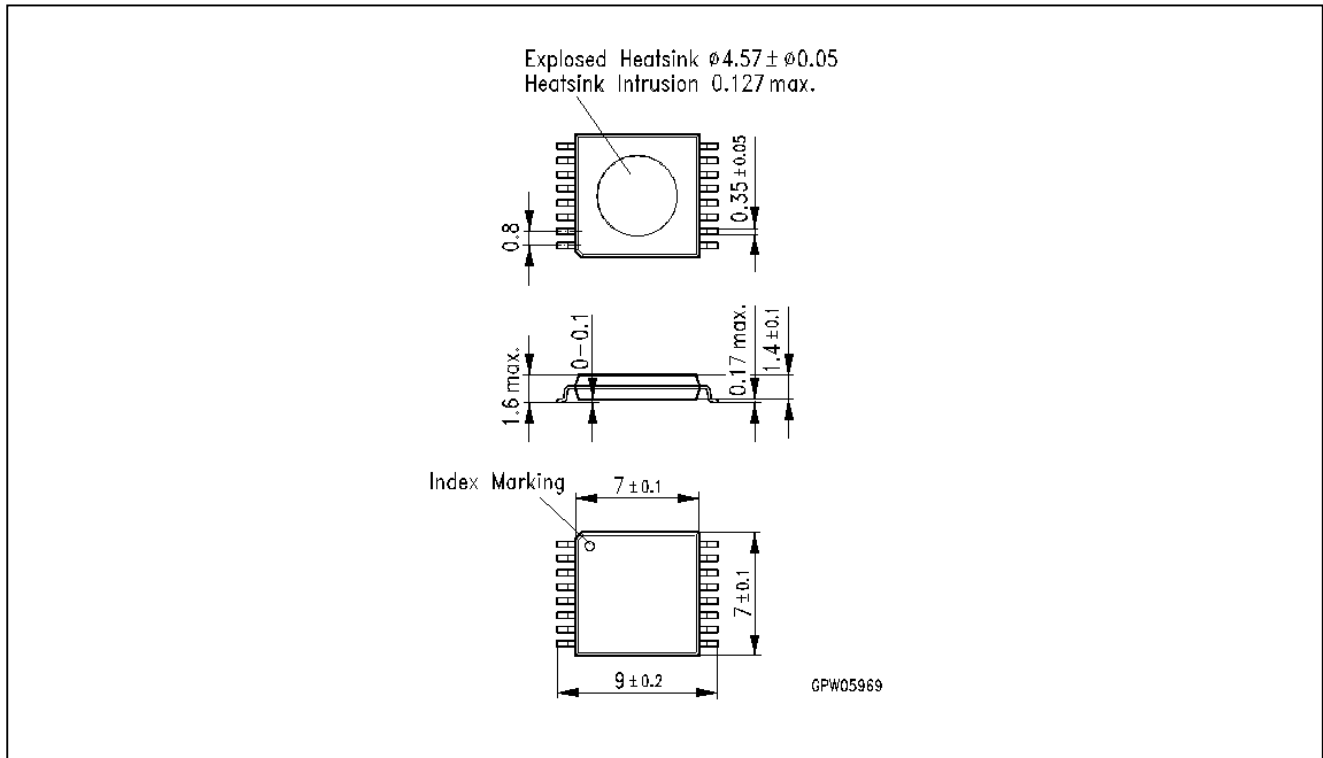
CGY184		Negative Voltage Generator	
L1	33nH*	D1	BAS40-04W
L2	2.2nH**	T1	BC848B
C1	4.7μF	L11	10uH***
C2	120pF	C11	1nF
C3	5pF	C12	1nF
C4	1pF	C13	47nF
C5	33pF	C14	1nF
C6	1nF	R11	3.8kOhm
C7	330pF	R12	680Ohm
C8	15pF		
C9	1nF		
C10	33pF		

* 33nH SMD-Inductor for drain3: Part Number BV1250 distribution by Horst David GmbH, 85375 Neufarn, Germany
Phone-No ..8165/9548-0 , Fax-No ..8165/9548-28

** Toko Type LL1608-FH Chip Induktor

*** Chip-Induktor Simid02
(Siemens-Matsushita Ordering-Code: B82422-A1103-K100)

Semiconductor Device Outline MW16



Published by Siemens AG, Bereich Bauelemente, Vertrieb, Produkt-Information, Balanstraße 73, D-81541 München

copyright Siemens AG 1996. All Rights Reserved

As far as patents or other rights of third parties are concerned, liability is only assumed for components per se, not for applications, processes and circuits implemented within components or assemblies.

The information describes the type of component and shall not be considered as assured characteristics.

Terms of delivery and rights to change design reserved.

For questions on technology, delivery and prices please contact the Offices of Semiconductor Group in Germany or the Siemens Companies and Representatives worldwide (see address list).

Due to technical requirements components may contain dangerous substances. For information on the type in question please contact your nearest Siemens Office, Semiconductor Group.

Siemens AG is an approved CECC manufacturer