
CH7210 DisplayPort to HDMI 2.0 Converter on USB Type C

FEATURES

- Compliant with DisplayPort Alternate Mode on USB Type C standard
- Compliant with DisplayPort Specification version 1.3 and Embedded DisplayPort (eDP) Specification version 1.4
- Support 2 Main Link Lanes at 1.62Gbps, 2.7Gbps (HBR) or 5.4Gbps (HBR2) link rate
- Automotive DP input signal detection and Lane swap supported for compliance with the USB type C cable plug orientation switch
- DP_BR signaling modes supported
- DisplayPort receiver auto equalization supported for the compensation of input signal attenuation
- Support Spread Spectrum Clocking (de-spreading) for EMI reduction
- Fast and full Link Training for embedded DisplayPort system
- Support eDP Authentication: Alternative Scramble Seed Reset and Alternative Framing
- USB Power Delivery control module supported with HPD to PD converter integrated
- HDMI transmitter compliant with HDMI specification version 2.0 and DVI specification version 1.0
- HDMI transmitter supports up to 3.0Gbps data rate for video timing of 4Kx2K@30Hz, or 4K2K@60Hz on YCC 4:2:0 mode
- HDMI 3D dual view and 3D audio are supported
- High-Dynamic-Range (HDR) display are supported
- YCC 4:4:4/4:2:2 to YCC 4:2:2/4:2:0, Y-only (Gray display) conversion are supported
- HDCP engine compliant with HDCP 2.2 specification with internal HDCP Keys
- HDCP 2.2 repeater supported
- Active DDC buffer and related control register integrated
- IIC-over-AUX transaction supported
- Programmable equalizer
- Programmable Pre-Emphasis on output driver supported
- On-chip Audio Decoder which support 8 channel Audio input from DP Rx and output from HDMI Tx with sample rate up to 192KHz
- Embedded MCU to handle the control logic
- USB billboard module integrated
- USB 2.0 PHY supported
- Firmware run on On-chip Flash directly, integrated EDID Buffer
- AUX channel, USB and Type-C port are available for firmware update.
- Support Auto Power Saving mode and low stand-by current
- Anti-back drive support
- Low power architecture
- RoHS compliant and Halogen free package

GENERAL DESCRIPTION

Chrontel's CH7210 is a low-cost, low-power semiconductor device that translates the DisplayPort signal to HDMI/DVI through the USB Type-C connector. This innovative USB Type-C based DisplayPort receiver with an integrated HDMI Transmitter is specially designed to target the USB Type-C to HDMI converter, adopter and docking device. Through the CH7210's advanced decoding / encoding algorithm, the input DisplayPort high-speed serialized multimedia data can be seamlessly converted to HDMI/DVI output.

The CH7210's DP/eDP receiver is compliant with the DisplayPort Specification 1.3 and Embedded DisplayPort (eDP) Specification version 1.4. With sophisticated DisplayPort signal detection and the Lane Swap/AUX polarity inversion logic, the CH7210 supports USB Type-C cable plug orientation switch. With internal HDCP key integrated, the device support HDCP 2.2 specifications. In the device's receiver block, which supports four DisplayPort Main Link Lanes input with data rate running at 1.62Gbps, 2.7Gbps or 5.4Gbps, and converted the input signal to HDMI output up to 4Kx2k@30Hz. Leveraging the USB Power Delivery control logic, the USB billboard module for USB device identify and DisplayPort's unique source/sink "Link Training" routine, the CH7210 is capable of instantly bring up the video display to the HDMI/DVI TV/Monitor when the initialization process is completed.

The CH7210 also supports up to 8-channel audio input from either DP Rx and output from HDMI Tx with sample rate up to 192 KHz. Available audio bandwidth depends on the pixel clock frequency, the video format timing, and whether or not content protection re-synchronization is needed.

With sophisticated MCU and the On Chip Flash, CH7210 support auto-boot and EDID buffer. Leveraging the firmware auto-loaded from Flash, CH7210 can support DP input detection, HDMI connection detection, and determine to enter into Power saving mode automatically.

- HBM 2KV ESD performance
- Offered in 48 pin QFN package (7 X 7 mm)

APPLICATION

- USB Type C to HDMI 2.0 cable/Adapter/Docking Station
- On-board DP to HDMI 2.0 application
- Handheld/Portable Device

CONFIDENTIAL
DO NOT COPY

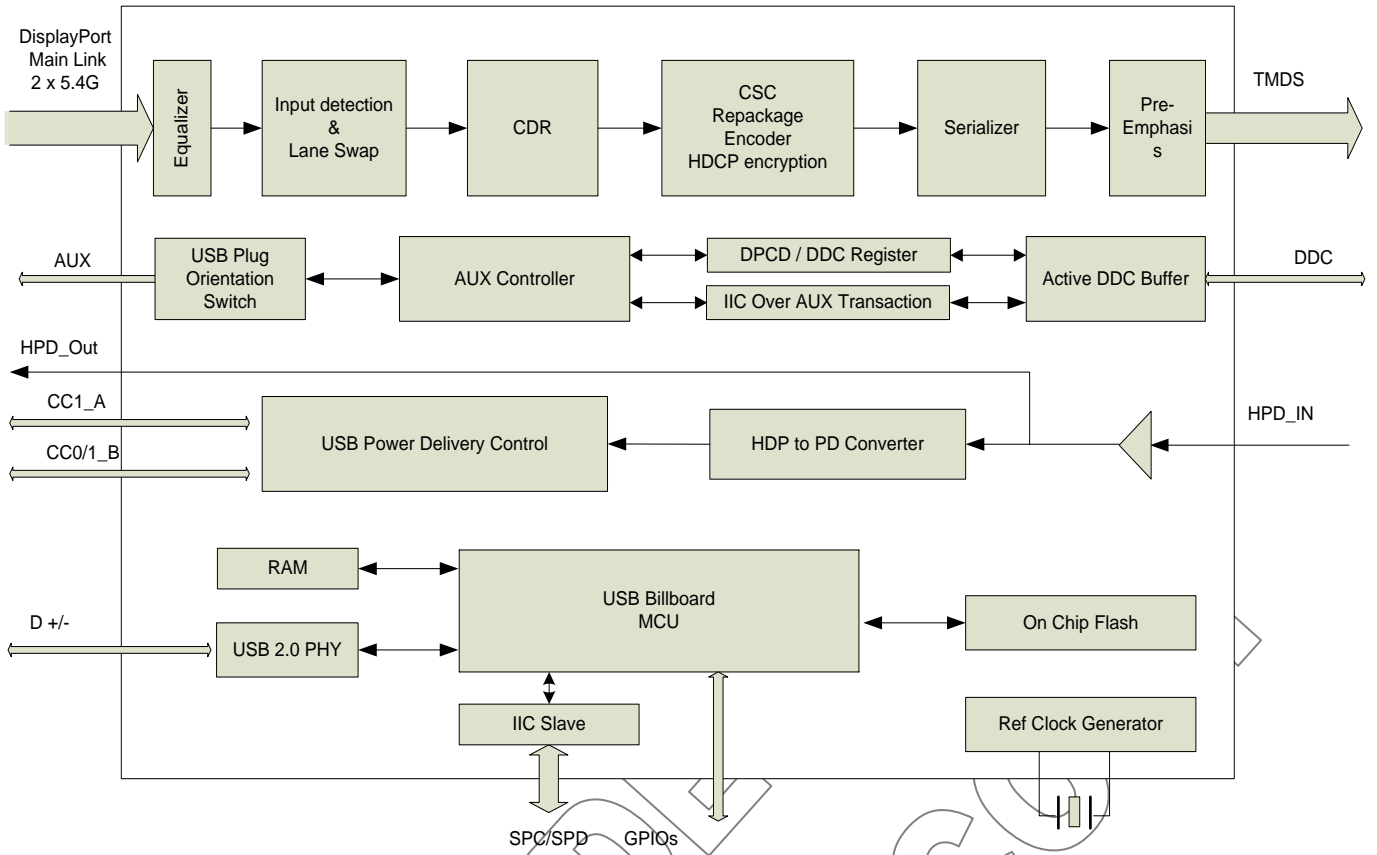


Figure 1: CH7210 Functional Block Diagram

CONFIDENTIAL
DO NOT COPY

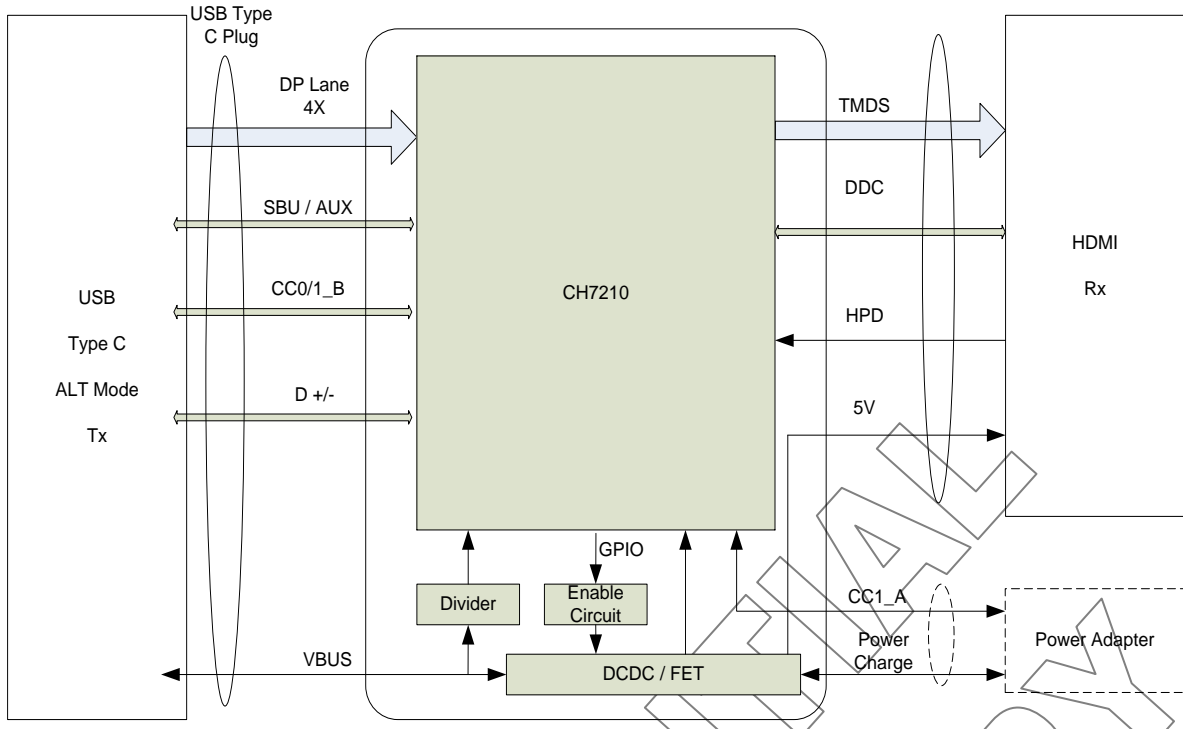


Figure 2: CH7210 USB Type-C to HDMI Dongle Application Block Diagram

CONFIDENTIAL
DO NOT COPY

1.0 PIN-OUT

1.1 Package Diagram

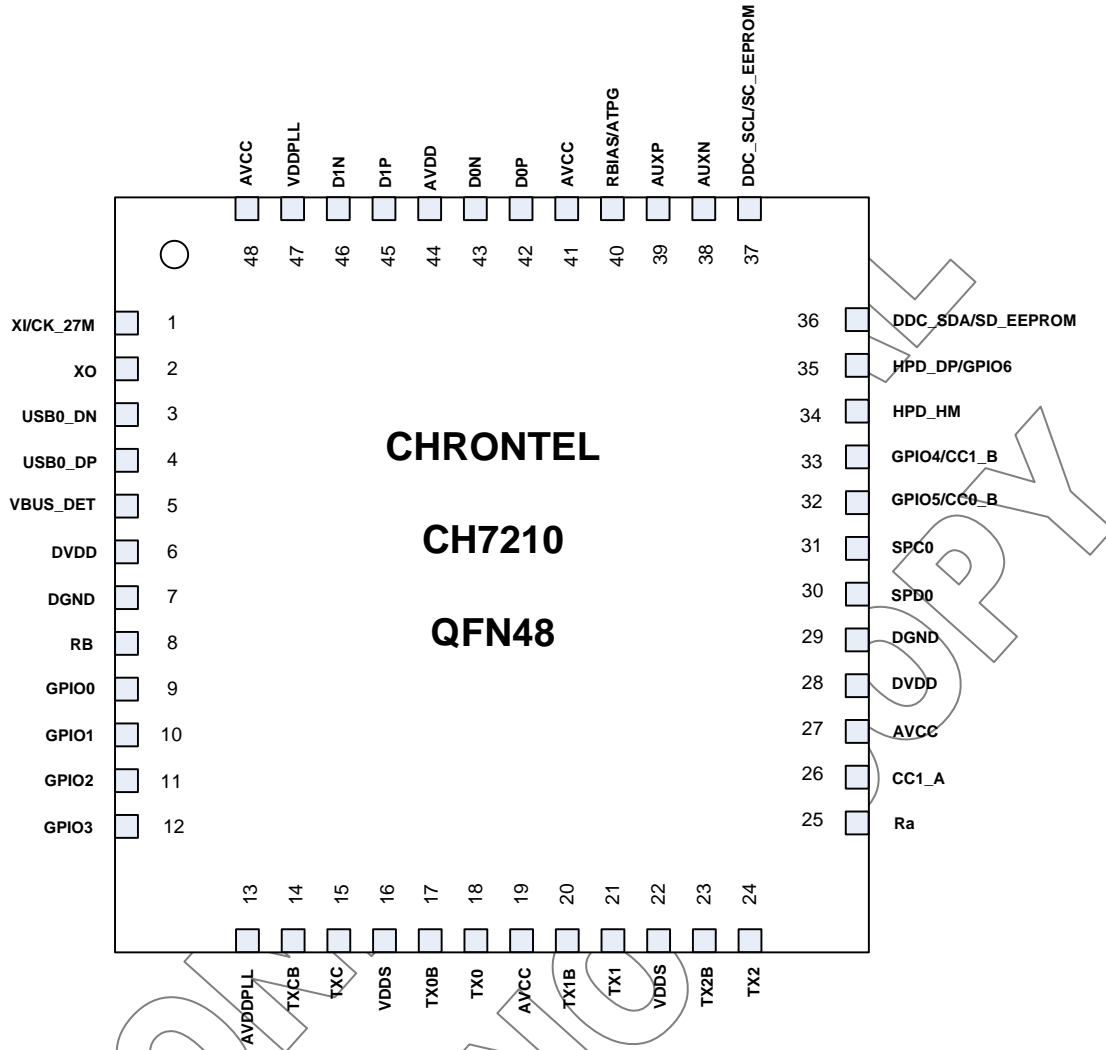


Figure 3: CH7210 48-Pin QFN Pin Out

1.2 Pin Description

Table 1: 48 QFN Pin Name Descriptions

Pin #	Type	Symbol	Description
1	In	XI	Crystal Input / External Reference Input A parallel resonance crystal should be attached between this pin and XO. An external 3.3V CMOS compatible clock also can drive the XI Input
2	Out	XO	Crystal Output A parallel resonance crystal should be attached between this pin and XI / FIN. However, if an external CMOS clock is attached to XI/FIN, XO should be left open
3,4	In/Out	USB0_DN/ USB0_DP	D+/- Input of USB Type C Interface
5	In	VBUS_DET	USB VBUS Voltage Detection Voltage input 0 ~ 5V
8	In	RB	Reset* Input (Internal pull-up) When this pin is low, the device is held in the power-on reset condition. When this pin is high, reset is controlled through the serial port register.
9~12	In/Out	GPIO[3:0]	General Purpose Input/Output Interface
14,15	Out	TXCB/ TXC	HDMI Clock Outputs These pins provide the differential clock output for the HDMI
17, 18	Out	TX0B/ TX0	HDMI Data Channel 0 Outputs These pins provide the TMDs differential outputs for data channel 0
20, 21	Out	TX1B/ TX1	HDMI Data Channel 1 Outputs These pins provide the TMDs differential outputs for data channel 1
23, 24	Out	TX2B/ TX2	HDMI Data Channel 2 Outputs These pins provide the TMDs differential outputs for data channel 2
25	In	Ra	Ra Resistor When used in typeC accessory mode, this pin needs connect to CC0.
26	In/Out	CC1_A	Port A USB Type-C Configure Channel 1
30	In/Out	SPD0	Serial Port Data Input / Output This pin functions as the bi-directional data pin of the serial port. External pull-up 6.8 KΩ resistor is required
31	In	SPC0	Serial Port Clock Input This pin functions as the clock pin of the serial port. External pull-up 6.8 KΩ resistor is required
32	In/Out	CC0_B	Port B USB Type-C Configure Channel 0
	In/Out	GPIO5	Port B General Purpose Input/Output
33	In/Out	CC1_B	USB Type-C Configure Channel 1
	In/Out	GPIO4	General Purpose Input/Output
34	In	HPD_HM	HDMI Tx HPD Input
35	Out	HPD_DP	DP Rx HPD Output
	In/Out	GPIO6	General Purpose Input/Output
36	In	DDC_SDA	Serial Port Data to HDMI Receiver The pin should be connected to data signal of HDMI DDC. This pin requires a pull-up 1.8 kΩ resistor to the desired voltage level
	In/Out	SD_EEPROM	Connect to External EEPROM I2C Port Data The EEPROM is optional depending on FW size
37	Out	DDC_SCL	Serial Port Clock Output to HDMI Receiver The pin should be connected to clock signal of HDMI DDC. This pin

			requires a pull-up 1.8kΩ resistor to the desired voltage level
	Out	SC_EEPROM	Connect to External EEPROM I2C Port Clock
38, 39	In/Out	AUXN/AUXP	AUX Channel Differential Input/Output These two pins are DisplayPort AUX Channel control, which supports a half-duplex, bi-directional AC-coupled differential signal.
40	In	RBIAS	HDMI Swing Control This pin sets the swing level of the HDMI outputs. A 1K-ohm with 1% tolerance resistor should be connected between this pin and ground using short and wide traces.
42, 43	In	D0P/ D0N	DP Main Link Differential Lane 0 Input These pins accept four AC-coupled differential pair signals from the DisplayPort transmitter.
45, 46	In	D1P/ D1N	DP Main Link Differential Lane 1 Input These pins accept four AC-coupled differential pair signals from the DisplayPort transmitter.
19,27,41, 48	Power	AVCC	Analog Power Supply(3.3V)
6,28	Power	DVDD	Digital Core/IO Power Supply (1.2V)
7,29	Power	DGND	Digital Ground
13	Power	AVDDPLL	PLL Power Supply (1.2V)
16,22	Power	VDDS	Serializer Power Supply (1.2V)
44	Power	AVDD	Analog Power Supply (1.2V)
47	Power	VDDPLL	PLL Power Supply (1.2V)

CONFIDENTIAL
 DO NOT COPY

2.0 PACKAGE DIMENSION

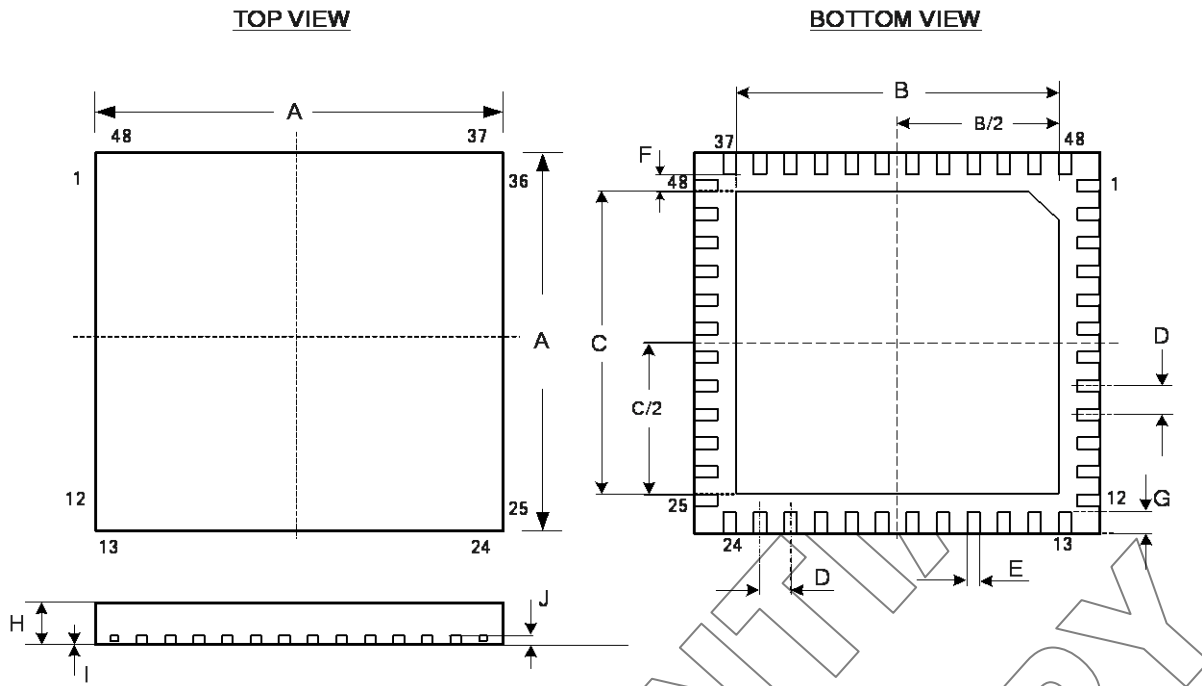


Figure 4: 48 Pin QFN Package

Table of Dimensions

No. of Leads		SYMBOL									
48 (7 X 7 mm)		A	B	C	D	E	F	G	H	I	J
Milli-meters	MIN	6.90	2.25	2.25	0.5	0.18	0.2	0.30	0.7	0	0.203
	MAX	7.10	5.80	5.80		0.30		0.50	1.0	0.05	

Notes:

1. Conforms to JEDEC standard JESD-30 MO-220.

Disclaimer

This document provides technical information for the user. Chrontel reserves the right to make changes at any time without notice to improve and supply the best possible product and is not responsible and does not assume any liability for misapplication or use outside the limits specified in this document. CHRONTEL warrants each part to be free from defects in material and workmanship for a period of one (1) year from date of shipment. Chrontel assumes no liability for errors contained within this document. The customer should make sure that they have the most recent data sheet version. Customers should take appropriate action to ensure their use of the products does not infringe upon any patents. Chrontel, Inc. respects valid patent rights of third parties and does not infringe upon or assist others to infringe upon such rights.

Chrontel PRODUCTS ARE NOT AUTHORIZED FOR AND SHOULD NOT BE USED WITHIN LIFE SUPPORT SYSTEMS OR NUCLEAR FACILITY APPLICATIONS WITHOUT THE SPECIFIC WRITTEN CONSENT OF Chrontel. Life support systems are those intended to support or sustain life and whose failure to perform when used as directed can reasonably expect to result in personal injury or death.

ORDERING INFORMATION			
Part Number	Package Type	Operating Temperature Range	Minimum Order Quantity
CH7210A-BF	48 QFN, Lead-free	Commercial: 0 to 70°C	168/Tray

Chrontel

Chrontel International Limited

129 Front Street, 5th floor,

Hamilton, Bermuda HM12

www.chrontel.com

E-mail: sales@chrontel.com