

## 5.5-11GHz Medium Power Amplifier

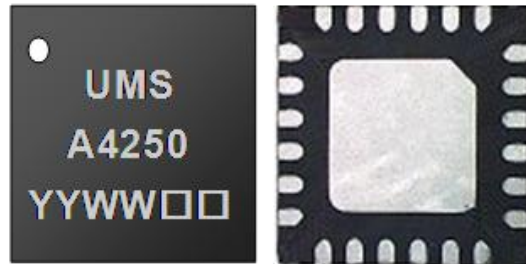
### GaAs Monolithic Microwave IC in SMD leadless package

#### Description

The CHA4250-QDG is a three stages monolithic GaAs medium power amplifier circuit.

It is designed for commercial communication systems.

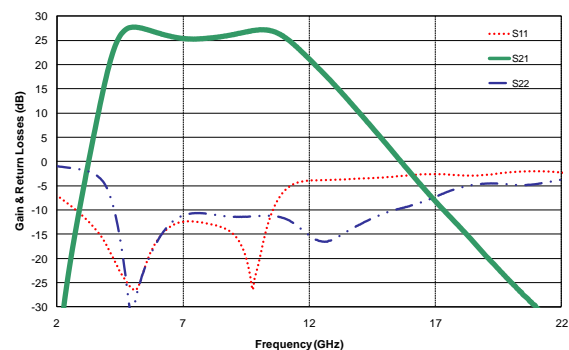
The circuit is manufactured with a pHEMT process, 0.5 $\mu$ m gate length.



#### Main Features

- Broadband performances: 5.5-11GHz
- 26dB Linear Gain
- 23.5dBm output power @1dB comp.
- 31dBm output TOI
- 25% PAE@ 1dB compression
- DC bias: Vd=7Volt@Id=125mA
- 24L-QFN4x4

Gain & RLoss



#### Main Electrical Characteristics

Tamb.= +25°C

Symbol	Parameter	Min	Typ	Max	Unit
Freq	Frequency range	5.5		11.0	GHz
Gain	Linear Gain		26.0		dB
OTOI	Output TOI		31.0		dBm
Pout	Output Power @1dB comp.		23.5		dBm

## Electrical Characteristics

Tamb.= +25°C, Vd1=Vd2=Vd3 =+7.0V

Symbol	Parameter	Min	Typ	Max	Unit
Freq	Frequency range	5.5		11	GHz
Gain	Linear Gain		26		dB
RL_in	Input Return Loss		-12		dB
RL_out	Output Return Loss		-10		dB
OP1dB	Output power @1dB compression		23.5		dBm
Psat	Saturated output power		25		dBm
OIP3	Output IP3		31		dBm
PAE	Power Added Efficiency @ 1dB compression		25		%
NF	Noise figure		7		dB
Idq	Quiescent Drain current		125		mA
Vg	Gate voltage		-0.45		V

These values are representative of onboard measurements as defined on the drawing in paragraph "Evaluation mother board".

## Absolute Maximum Ratings <sup>(1)</sup>

Tamb.= +25°C

Symbol	Parameter	Values	Unit
Vd1,2,3	Drain bias voltage	7.5V	V
Idq	Drain bias quiescent current	0.25	A
Vg	Gate bias voltage	-2 to +0	V
Pin	Input continuous power	4	dBm
Tj	Junction temperature	175	°C
Ta	Operating temperature range	-40 to +85	°C
Tstg	Storage temperature range	-55 to +150	°C

<sup>(1)</sup> Operation of this device above any one of these parameters may cause permanent damage.

## Typical Bias Conditions

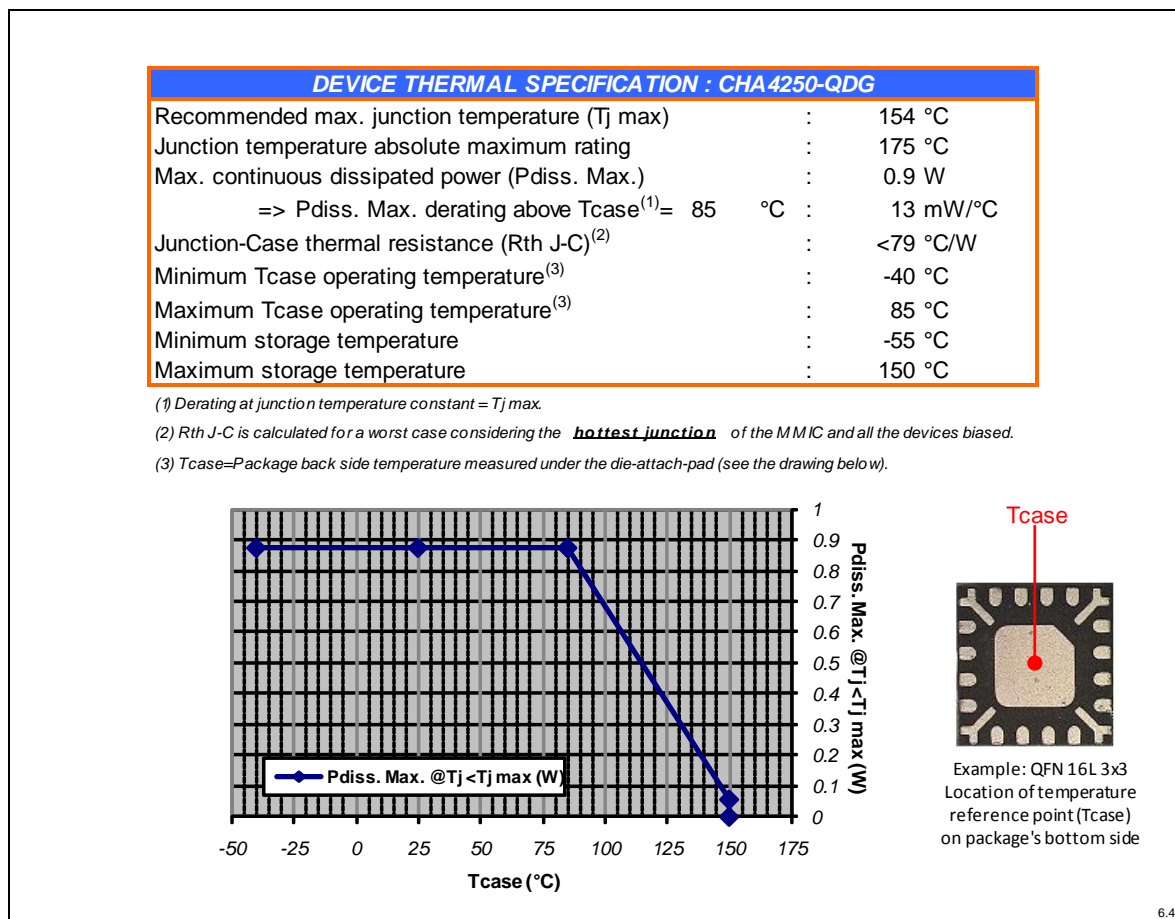
Tamb.= +25°C

Symbol	Pad N°	Parameter	Values	Unit
Vd1	12	DC Drain voltage 1 <sup>st</sup> stage	7	V
Vd2	9	DC Drain voltage 2 <sup>nd</sup> stage	7	V
Vd3	7	DC Drain voltage 3 <sup>rd</sup> stage	7	V
Vg	22	DC Gate voltage tuned for Idq= 125mA	-0.45	V

## Device thermal performances

All the figures given in this section are obtained assuming that the QFN device is cooled down only by conduction through the package thermal pad (no convection mode considered). The temperature is monitored at the package back-side interface ( $T_{case}$ ) as shown below. The system maximum temperature must be adjusted in order to guarantee that  $T_{case}$  remains below the maximum value specified in the next table. So, the system PCB must be designed to comply with this requirement.

A derating must be applied on the dissipated power if the  $T_{case}$  temperature cannot be maintained below the maximum temperature specified (see the curve  $P_{diss. Max}$ ) in order to guarantee the nominal device life time (MTTF).



### Typical Package Sij parameters

Tamb.=+25°C, Vd1=Vd2=Vd3=+7.0V, Idq=125mA

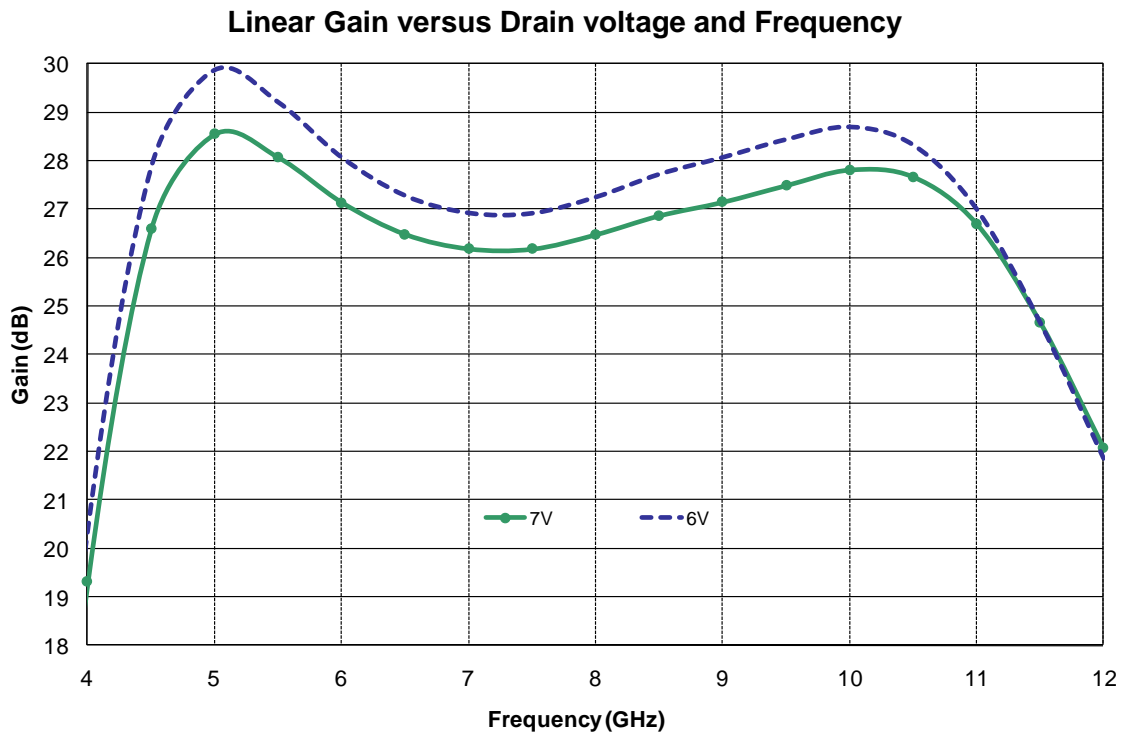
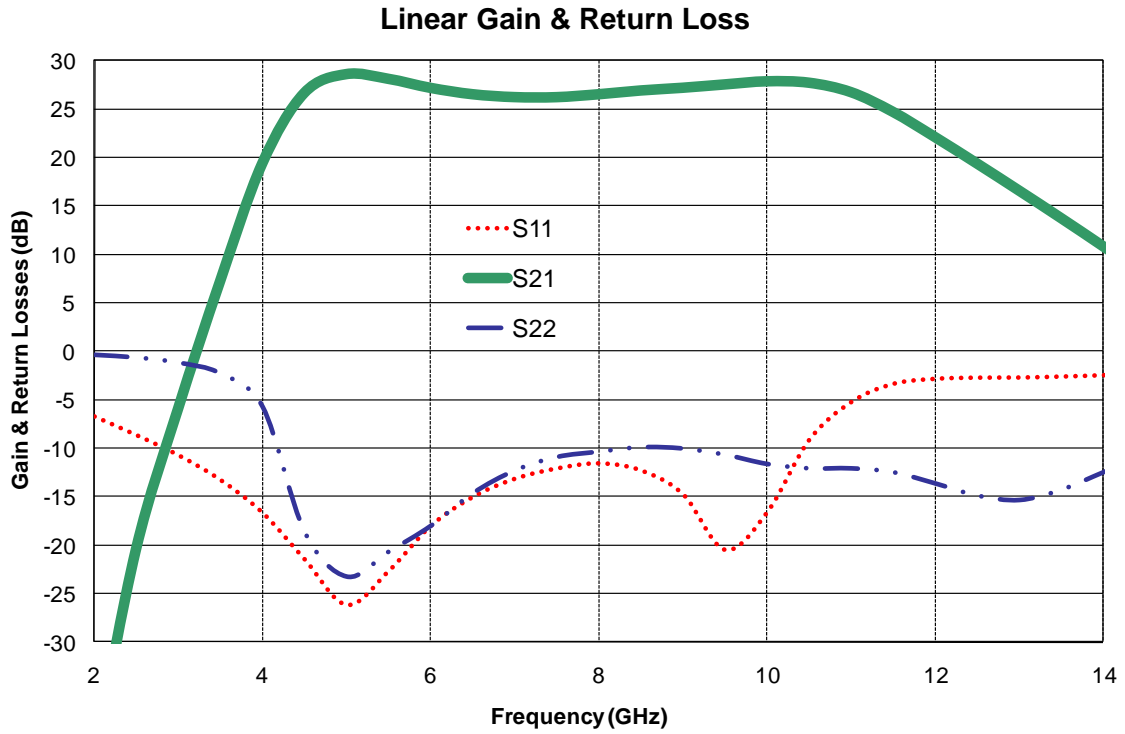
Freq (GHz)	S11 (dB)	PhS11 (°)	S21 (dB)	PhS21 (°)	S12 (dB)	PhS12 (°)	S22 (dB)	PhS22 (°)
2	-6.7	-156.4	-42.1	-119.3	-73.2	131.1	-0.3	-71.5
2.5	-8.7	177.5	-20.4	171.5	-81.5	158.8	-0.6	-93.4
3	-10.7	152.9	-6.0	126.1	-76.4	100.3	-1.1	-119.2
3.5	-13.3	128.6	7.2	72.9	-72.7	68.9	-2.3	-152.8
4	-16.7	102.9	19.3	-2.5	-73.7	81.1	-5.7	156.8
4.5	-21.5	70.4	26.6	-101.7	-70.1	74.3	-18.6	85.3
5	-26.2	8.9	28.6	166.6	-72.6	58.3	-23.2	-80.2
5.5	-22.7	-58.6	28.1	93.3	-69.7	64.2	-20.6	-93.3
6	-18.0	-95.2	27.1	35.3	-69.5	60.4	-18.0	-83.8
6.5	-15.0	-119.7	26.5	-13.5	-70.6	48.5	-14.6	-87.6
7	-13.2	-141.6	26.2	-57.9	-66.5	47.1	-12.2	-100.4
7.5	-12.1	-161.7	26.2	-99.9	-67.0	29.0	-10.9	-115.2
8	-11.6	-175.1	26.5	-141.2	-65.6	25.4	-10.3	-136.1
8.5	-12.3	162.0	26.9	176.6	-64.7	15.0	-9.9	-152.0
9	-14.8	133.0	27.1	133.5	-64.6	1.2	-10.0	-168.1
9.5	-20.5	80.5	27.5	89.8	-61.9	-29.4	-10.6	179.4
10	-16.6	-34.2	27.8	42.8	-60.5	-64.4	-11.6	169.5
10.5	-9.1	-85.9	27.7	-7.3	-59.7	-108.3	-12.0	160.1
11	-5.2	-123.6	26.7	-59.8	-57.1	-139.4	-12.0	146.9
11.5	-3.4	-155.2	24.7	-110.4	-56.6	177.0	-12.4	126.4
12	-2.8	-179.8	22.1	-156.0	-56.1	146.5	-13.6	99.9
12.5	-2.7	160.9	19.4	162.1	-55.9	123.8	-14.8	67.5
13	-2.7	145.6	16.6	123.1	-55.3	109.4	-15.3	28.8
13.5	-2.6	132.1	13.7	85.9	-55.4	92.0	-14.2	-7.4
14	-2.5	119.8	10.8	50.5	-55.6	69.7	-12.4	-35.4
14.5	-2.3	107.8	7.9	16.7	-59.1	60.6	-10.7	-56.3
15	-2.1	96.1	4.8	-15.4	-56.5	89.9	-9.1	-72.5
15.5	-1.9	84.5	1.8	-45.9	-54.1	72.4	-7.8	-86.2
16	-1.7	73.0	-1.3	-74.8	-52.7	61.5	-6.8	-98.3
16.5	-1.5	61.5	-4.3	-102.4	-51.4	45.9	-6.0	-109.1
17	-1.3	50.2	-7.4	-128.3	-49.6	13.2	-5.3	-118.9
17.5	-1.2	39.2	-10.3	-152.7	-52.9	-30.7	-4.7	-128.2
18	-1.1	28.6	-13.1	-176.3	-61.1	-55.6	-4.2	-137.1
18.5	-1.0	18.1	-15.8	161.0	-65.1	-129.0	-3.8	-146.0
19	-0.9	7.7	-18.4	138.8	-61.4	120.7	-3.6	-154.8
19.5	-0.8	-2.3	-20.9	116.9	-53.5	74.4	-3.3	-163.5
20	-0.8	-12.1	-23.4	95.5	-55.1	45.5	-3.2	-172.6

The Sij measurement calibration planes are defined in the paragraph "Definition of the Sij reference planes".

**Typical Board Measurements**

Tamb.=+25°C, Vd1=Vd2=Vd3=+7.0V, Idq=125mA

Measurement in the QFN planes as defined in paragraph "Definition of the Sij reference planes"

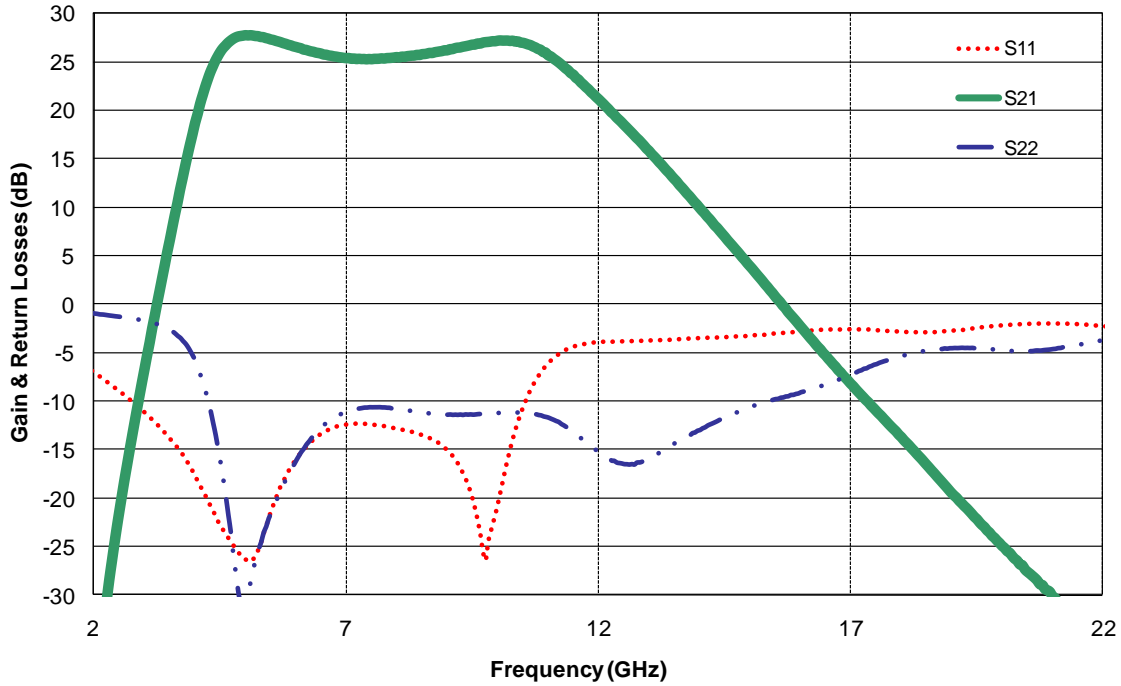


## Typical Board Measurements

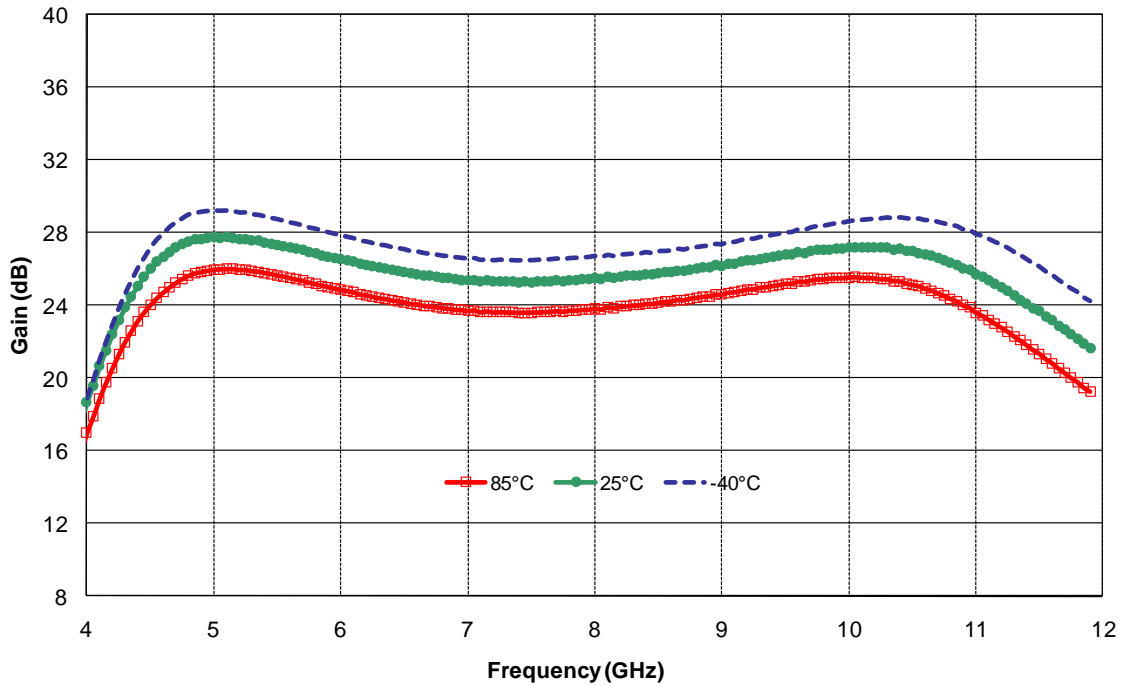
Tamb.=+25°C, Vd1=Vd2=Vd3=+7.0V, Idq=125mA

Measurement in the plan of the connectors, using the proposed land pattern & board, as defined in paragraph "Evaluation mother board"

### Linear Gain & Return Loss



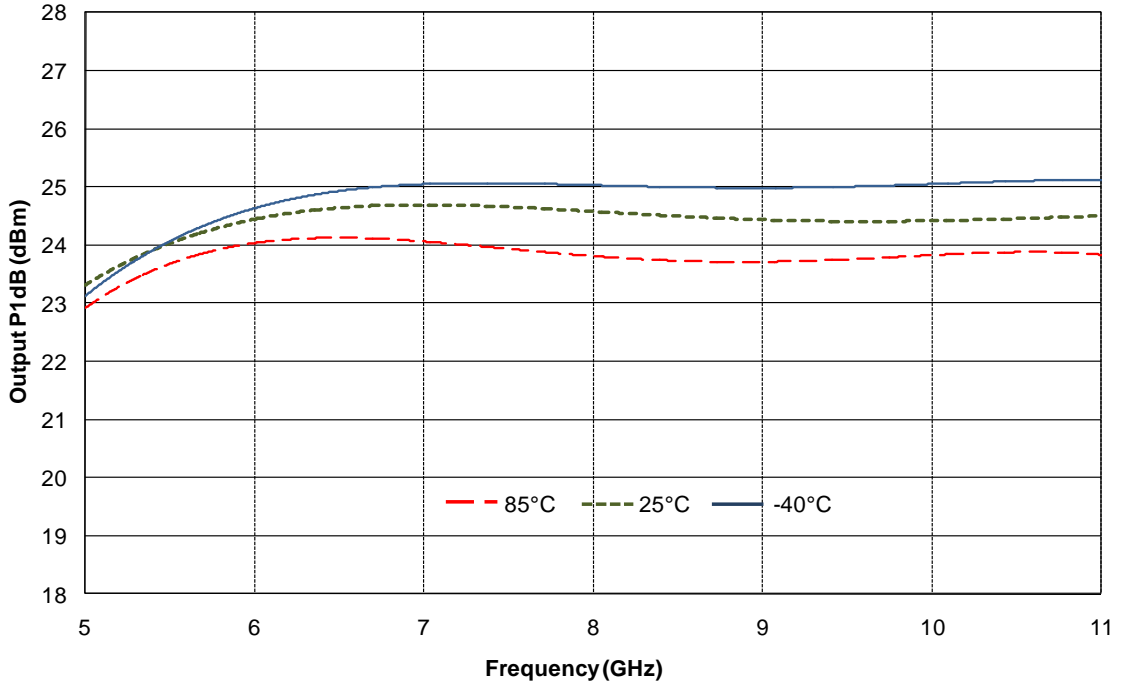
### Linear Gain versus Temperature and Frequency



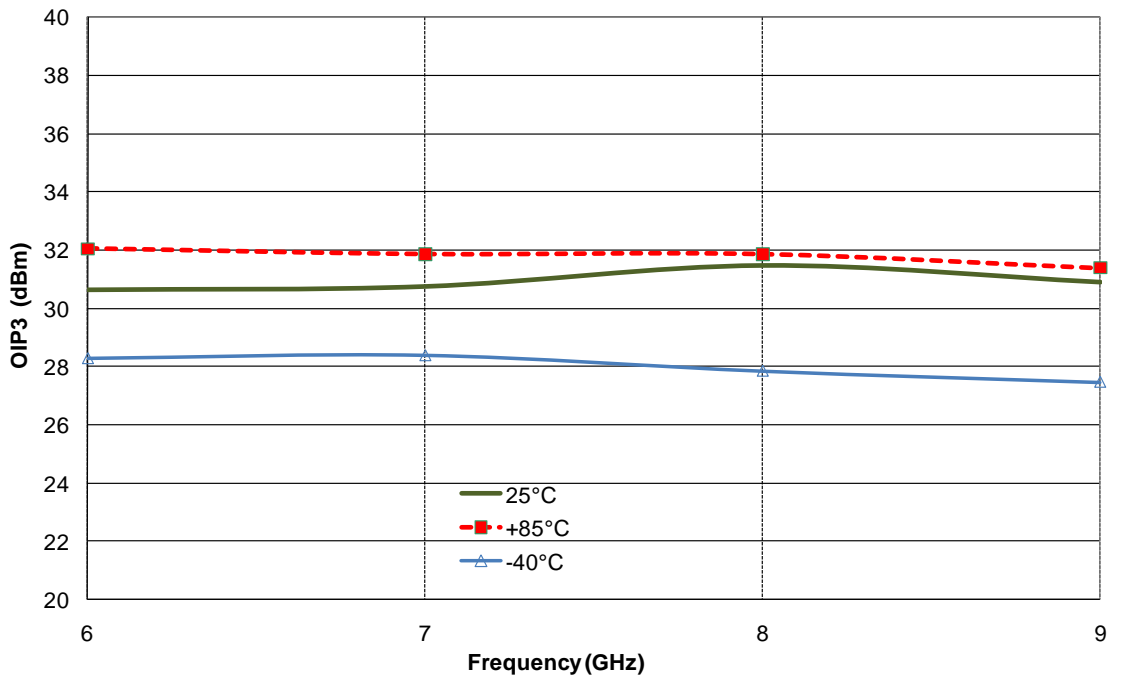
Typical Board Measurements

Vd1=Vd2=Vd3=+7.0V, Idq=125mA

Output power at 1 dB Compression versus Temperature and Frequency



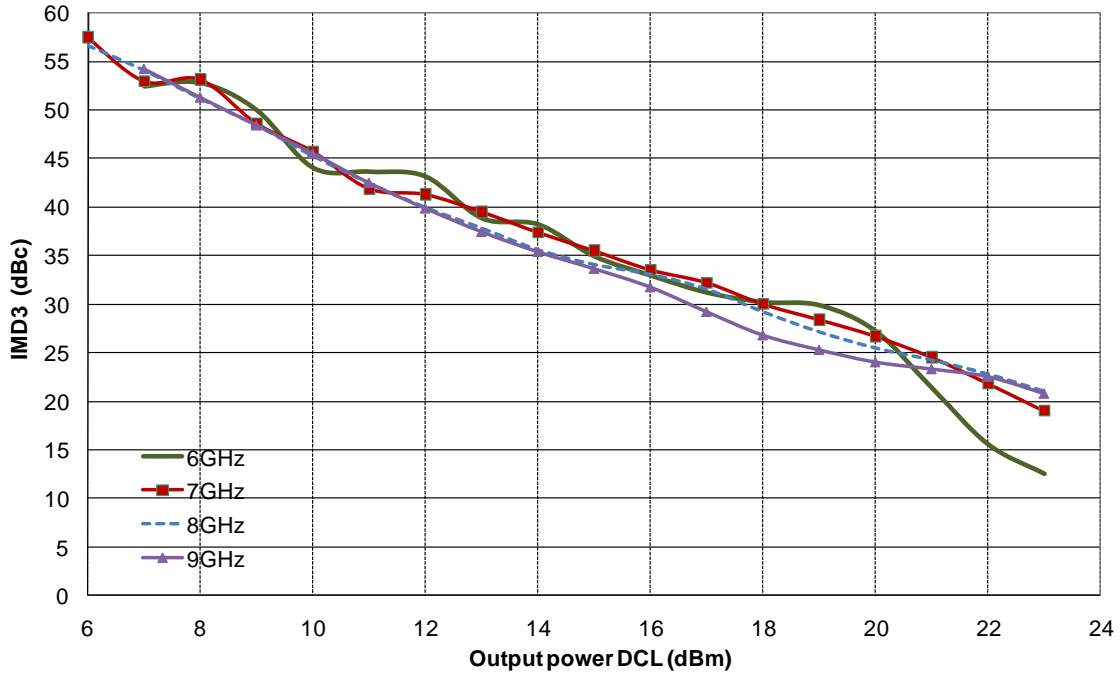
Output TOI (dBm) at Pout DCL=7dBm versus Temperature and Frequency



## Typical Board Measurements

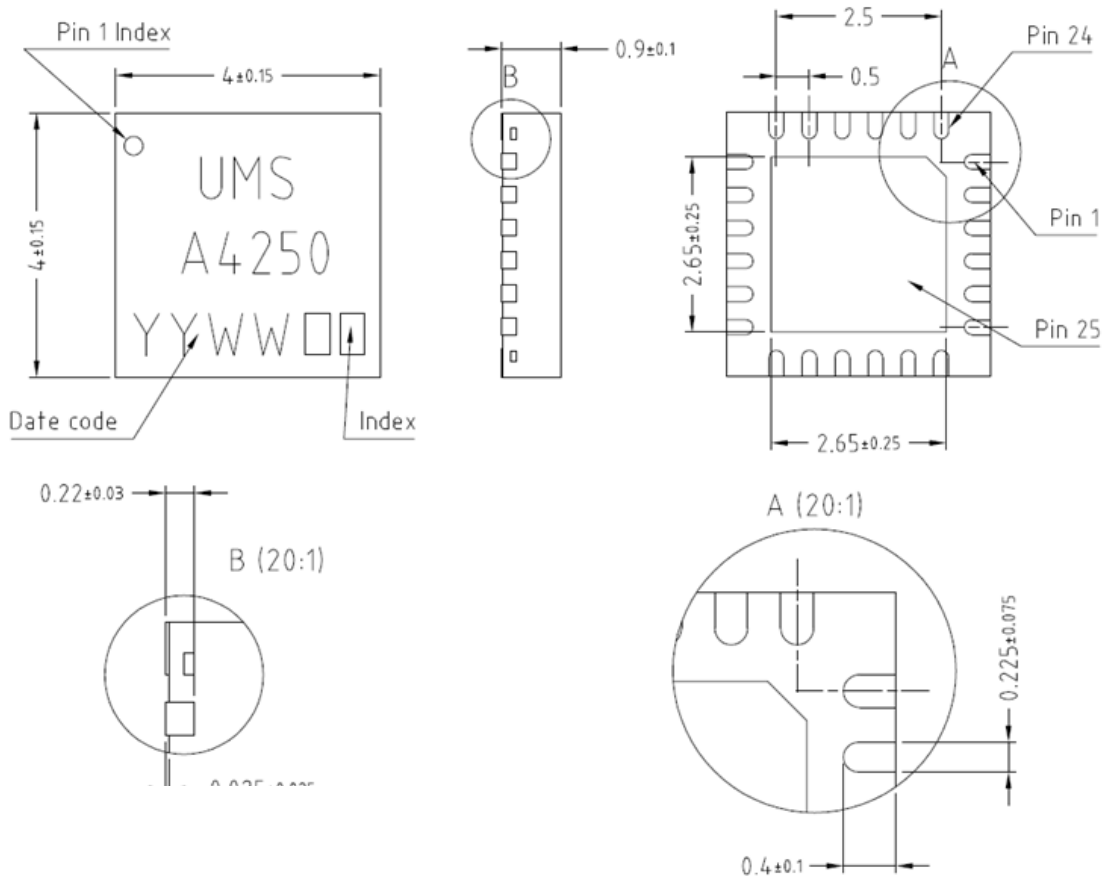
Tamb.=+25°C, Vd1=Vd2=Vd3=+7.0V, Idq=125mA

### Output IMD3 versus Pout DCL





**Package outline <sup>(1)</sup>**



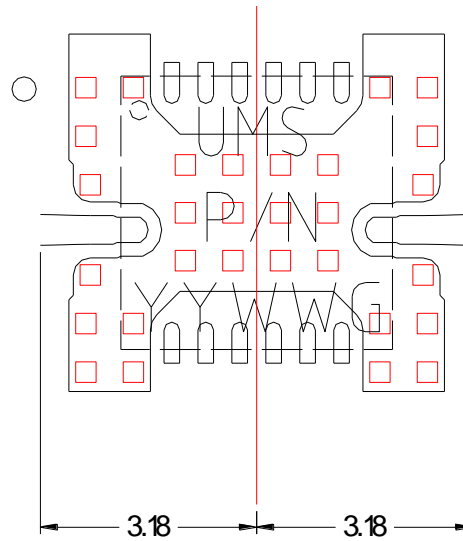
Matt tin, Lead Free	(Green)	1- Gnd <sup>(2)</sup>	9- Vd2	17- Gnd <sup>(2)</sup>
Units :	mm	2- Gnd <sup>(2)</sup>	10- Nc	18- Gnd <sup>(2)</sup>
From the standard :	JEDEC MO-220	3- Gnd <sup>(2)</sup>	11- Nc	19- Nc
	(VGGD)	4- RF out	12- Vd1	20- Nc
	25- GND	5- Gnd <sup>(2)</sup>	13- Gnd <sup>(2)</sup>	21- Nc
		6- Gnd <sup>(2)</sup>	14- Gnd <sup>(2)</sup>	22- Vg
		7- Vd3	15- RF in	23- Nc
		8- Nc	16- Gnd <sup>(2)</sup>	24- Nc

<sup>(1)</sup> The package outline drawing included to this data-sheet is given for indication. Refer to the application note AN0017 (<http://www.ums-gaas.com>) for exact package dimensions.

<sup>(2)</sup> It is strongly recommended to ground all pins marked “Gnd” through the PCB board. Ensure that the PCB board is designed to provide the best possible ground to the package.

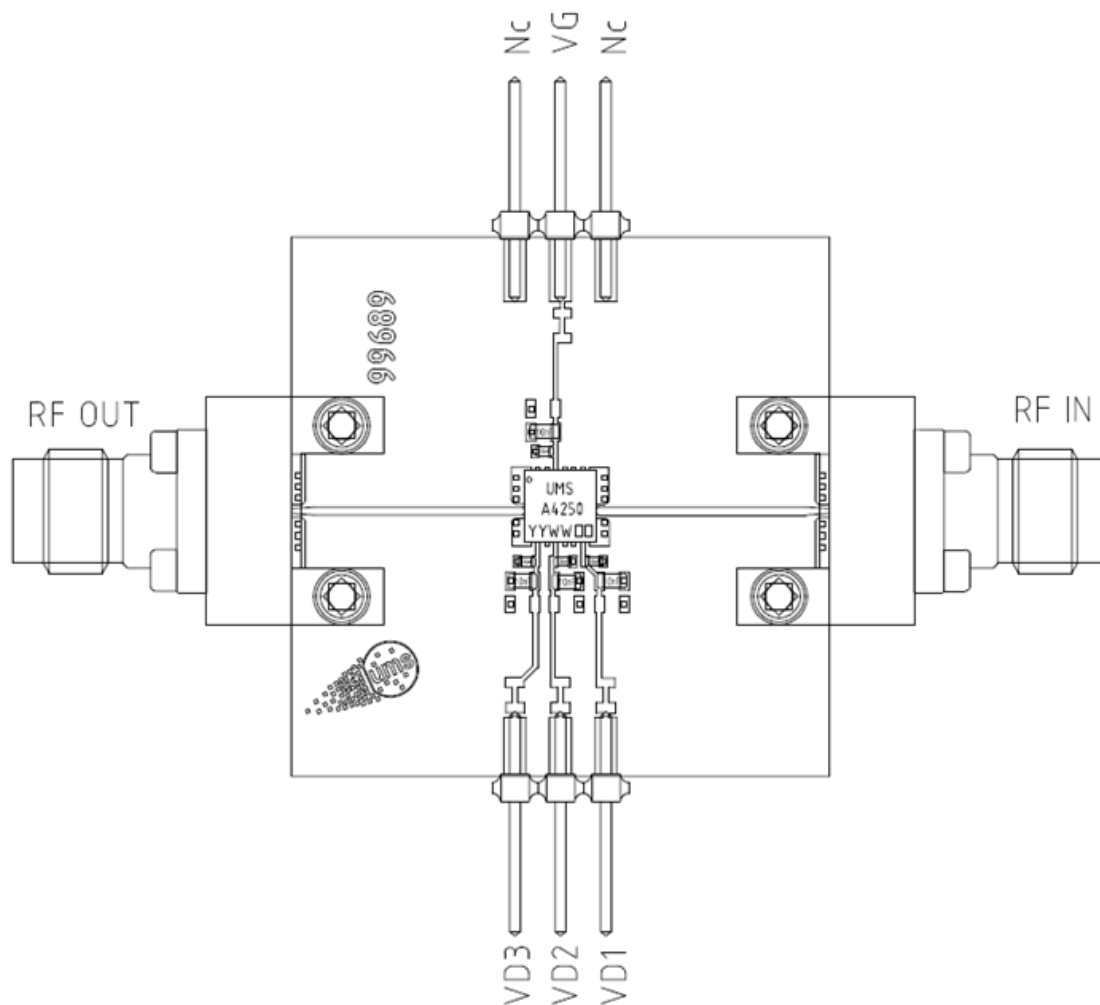
## Definition of the Sij reference planes

The reference planes used for Sij measurements given above are symmetrical from the symmetrical axis of the package (see drawing beside). The input and output reference planes are located at 3.18mm offset (input wise and output wise respectively) from this axis. Then, the given Sij parameters incorporate the land pattern of the evaluation motherboard recommended in paragraph "Evaluation mother board".

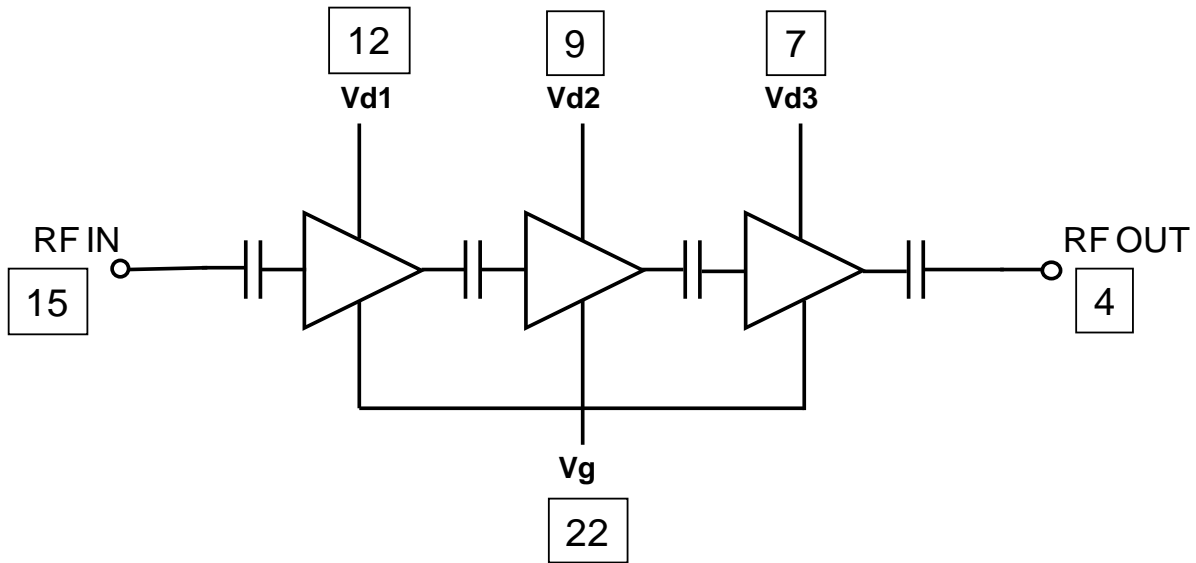


### Evaluation mother board

- Compatible with the proposed footprint.
- Based on typically Ro4003 / 8mils or equivalent.
- Using a micro-strip to coplanar transition to access the package.
- Recommended for the implementation of this product on a module board.
- First decoupling network is done with 100pF capacitors, second decoupling network is done with 10nF capacitors.
- See application note AN0017 for details.

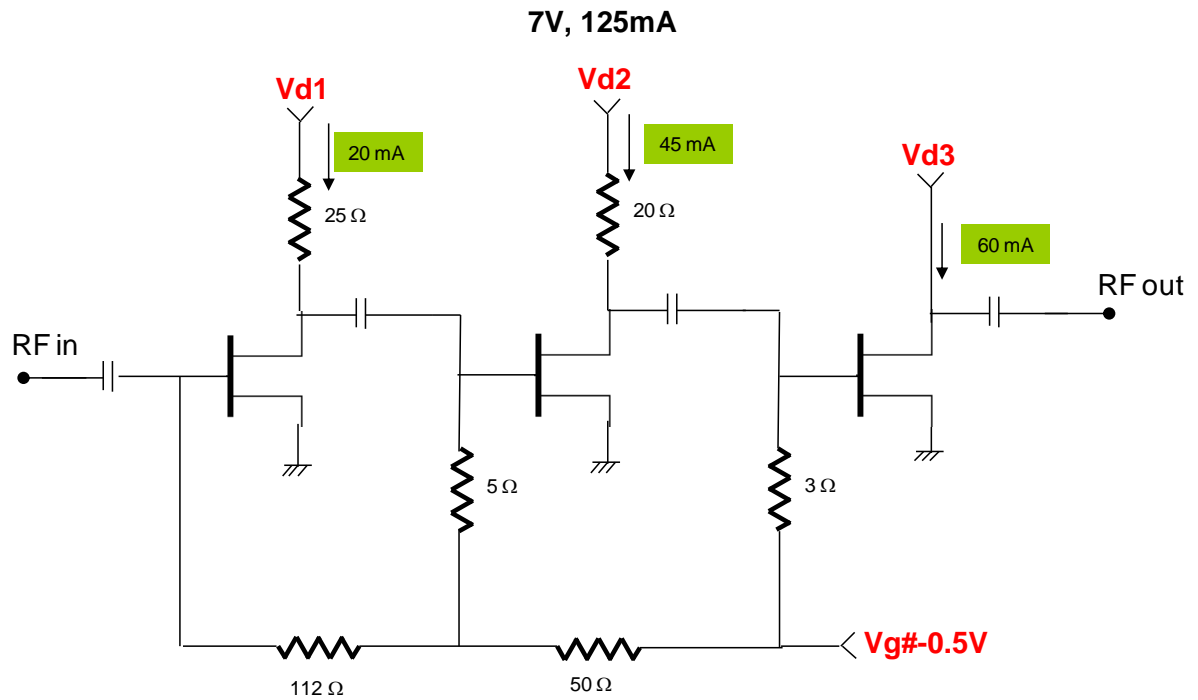


## Notes



The DC connections do not include any decoupling capacitor in package, therefore it is mandatory to provide a good external DC decoupling (100pF & 10nF) on the PC board, as close as possible to the package.

**DC Schematic**



## Recommended package footprint

Refer to the application note AN0017 available at <http://www.ums-gaas.com> for package footprint recommendations.

## SMD mounting procedure

For the mounting process standard techniques involving solder paste and a suitable reflow process can be used. For further details, see application note AN0017.

## Recommended environmental management

UMS products are compliant with the regulation in particular with the directives RoHS N°2011/65 and REACH N°1907/2006. More environmental data are available in the application note AN0019 also available at <http://www.ums-gaas.com>.

## Recommended ESD management

Refer to the application note AN0020 available at <http://www.ums-gaas.com> for ESD sensitivity and handling recommendations for the UMS package products.

## Ordering Information

QFN 4x4 RoHS compliant package:

CHA4250-QDG/XY

Stick: XY = 20

Tape & reel: XY = 21

Information furnished is believed to be accurate and reliable. However **United Monolithic Semiconductors S.A.S.** assumes no responsibility for the consequences of use of such information nor for any infringement of patents or other rights of third parties which may result from its use. No license is granted by implication or otherwise under any patent or patent rights of **United Monolithic Semiconductors S.A.S.** Specifications mentioned in this publication are subject to change without notice. This publication supersedes and replaces all information previously supplied. **United Monolithic Semiconductors S.A.S.** products are not authorised for use as critical components in life support devices or systems without express written approval from **United Monolithic Semiconductors S.A.S.**