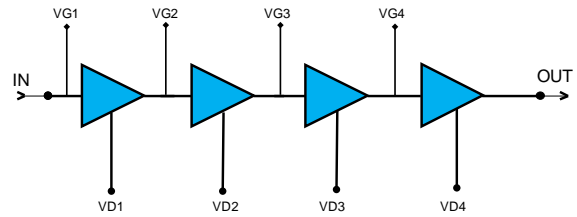


17-24GHz Medium Power Amplifier GaAs Monolithic Microwave IC

Description

The CHA4253a98F is a four stage monolithic Medium Power Amplifier. It is designed for a wide range of applications, from Point To Point Radio and K band to other commercial communication systems.

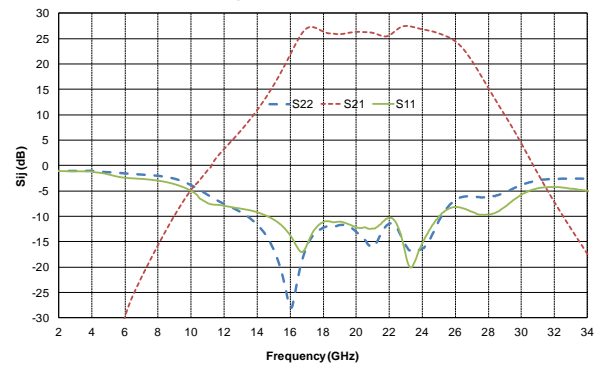
The circuit is manufactured with a pHEMT process, 0.15µm gate length. It is available in chip form.



Main Features

- Broadband performances: 17-24GHz
- 24.5dBm Pout for 1dB gain compression
- 26dB gain
- 32dBm OTOI
- DC bias: Vd= 4.0V, Id= 230mA
- Chip size 2.61x1.66x0.07mm

S-parameters



Main Electrical Characteristics

Tamb.= +25°C

Symbol	Parameter	Min	Typ	Max	Unit
Freq	Frequency range	17.0		24.0	GHz
Gain	Linear Gain		26		dB
P-1dB	Output Power @1dB comp.		24.5		dBm
OTOI	3 rd order Intercept point		32		dBm

Specifications

Tamb.= +25°C, Vd = +4.0V

Symbol	Parameter	Min	Typ	Max	Unit
Freq	Frequency range	17.0		24.0	GHz
Gain	Linear Gain		26		dB
ΔG	Gain variation in temperature		-0.04		dB/°C
OTOI	3 rd order Intercept point		32		dBm
P _{-1dB}	Output power @ 1dB compression		24.5		dBm
Psat	Saturated Output Power		25		dBm
RLin	Input Return Loss		12		dB
RLout	Output Return Loss		13		dB
NF	Noise figure		7.5		dB
Id	Quiescent Drain current		230		mA
Vg	Gate voltage		-0.7		V

These values are representative of test fixture measurements.

“Power ON” sequence

1. Ground the device
2. Bias MPA gate voltage at Vg low enough (Typically: Vg ≈ -2V)
3. Apply Vds bias voltage (Typically: Vd = 4V)
4. Increase slowly Vgs up to quiescent bias drain current Idq
5. Apply RF signal

“Power OFF” sequence

1. Turn off RF signal
2. Bias MPA gate voltage at Vg low enough (Typically: Vg ≈ -2V)
3. Turn Vds bias voltage to 0V
4. Turn Vgs bias voltage to 0V

Absolute Maximum Ratings ⁽¹⁾

Tamb.= +25°C

Symbol	Parameter	Values	Unit
Vd	Drain bias voltage	6V	V
Id	Drain bias quiescent current	370	mA
Vg	Gate bias voltage	-2 to +0.4	V
Vdg	External drain-gate excursion	12	V
Pin	Maximum input power	10	dBm
Tj	Junction temperature ⁽²⁾	175	°C
Ta	Operating temperature range	-40 to +95	°C
Tstg	Storage temperature range	-55 to +150	°C

⁽¹⁾ Operation of this device above anyone of these parameters may cause permanent damage.

⁽²⁾ Thermal Resistance channel to ground paddle =39.4°C/W for Tcase. = +85°C with 4.0V & 230mA. Associated Tj is 121°C.

⁽²⁾ Thermal Resistance channel to ground paddle =40.4°C/W for Tcase. = +95°C with 4.0V & 230mA. Associated Tj is 132°C.

Recommended Operating Range ^{3, 4}

Symbol	Parameter	Values	Unit
Vd	Drain bias voltage	3.3 to 4	V
Id	Drain bias current	180 to 230	mA
Vg	Gate bias voltage	-1 to 0	V
Pin	Maximum peak input power overdrive	5	dBm

⁽³⁾ Electrical performances are defined for specified test conditions

⁽⁴⁾ Electrical performances are not guaranteed over all recommended operating conditions

Temperature Range

Ta	Operating temperature range	-40 to +95	°C
Tstg	Storage temperature range	-55 to +150	°C

Typical Bias Conditions

Tamb.= +25°C

Pad N°	Parameter	Values	Unit
VG1	DC Gate voltage 1 st stage	-0.7	V
VG2	DC Gate voltage 2 nd stage	-0.7	V
VG3	DC Gate voltage 3 rd stage	-0.7	V
VG4	DC Gate voltage 4 th stage	-0.7	V
VD1	DC Drain voltage 1 st stage	4.0	V
VD2	DC Drain voltage 2 nd stage	4.0	V
VD3	DC Drain voltage 3 rd stage	4.0	V
VD4	DC Drain voltage 4 th stage	4.0	V

Typical test fixture Sij parameters

Tamb.= +25°C, Vd = +4.0V, Id = 230mA

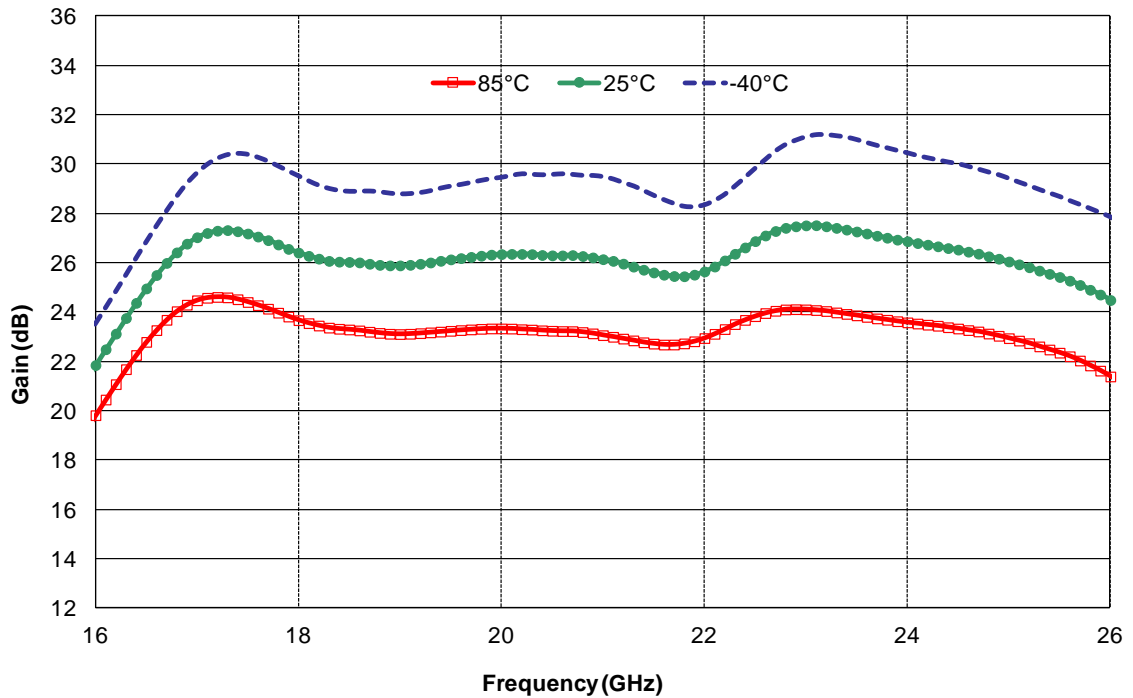
Freq (GHz)	S11 (dB)	PhS11 (°)	S12 (dB)	PhS12 (°)	S21 (dB)	PhS21 (°)	S22 (dB)	PhS22 (°)
2.0	-1.07	51.8	-66.97	-33.1	-64.70	-34.8	-1.07	51.8
3.0	-1.11	-11.8	-64.40	-90.1	-62.75	-92.3	-1.09	-12.7
4.0	-1.15	-77.7	-67.40	-143.8	-70.76	90.0	-1.05	-79.3
5.0	-1.73	-146.3	-68.84	168.0	-60.37	-70.1	-1.34	-148.9
6.0	-2.39	146.1	-83.79	110.7	-29.73	162.8	-1.58	137.4
7.0	-2.61	78.1	-81.63	148.6	-21.97	7.9	-1.81	60.9
8.0	-2.95	9.2	-76.04	-52.5	-15.62	-117.4	-2.05	-17.7
9.0	-3.65	-61.9	-61.40	-134.8	-9.79	124.9	-2.63	-99.4
10.0	-4.96	-141.5	-53.62	147.8	-4.76	7.9	-3.89	173.6
11.0	-7.40	-124.7	-52.69	88.9	-0.90	-82.3	-5.79	81.1
12.0	-7.90	87.3	-49.84	1.0	3.30	157.8	-7.57	-10.6
13.0	-8.47	3.9	-52.16	-59.4	6.86	53.8	-9.16	-94.2
14.0	-9.19	-70.3	-53.98	-99.4	10.94	-46.6	-11.64	-169.4
15.0	-10.63	-139.6	-54.98	-134.9	15.87	-148.3	-16.51	124.2
16.0	-13.72	154.0	-54.40	-171.1	21.86	100.7	-27.84	121.1
17.0	-15.71	132.2	-54.45	147.9	27.04	-36.2	-15.95	127.3
18.0	-11.14	67.4	-54.88	114.7	26.41	-172.5	-12.19	58.3
19.0	-11.04	5.5	-55.21	90.3	25.90	74.9	-11.70	1.6
20.0	-12.17	-39.1	-52.71	54.1	26.36	-37.7	-13.05	-50.1
21.0	-12.37	-68.8	-49.81	20.1	26.15	-151.6	-16.02	-67.7
22.0	-10.23	-108.8	-48.17	-46.8	25.65	104.7	-11.46	-98.3
23.0	-17.62	-163.2	-53.25	-93.9	27.52	-11.7	-15.70	-146.3
24.0	-15.32	-131.2	-52.07	-105.3	26.88	-133.2	-16.27	-145.8
25.0	-9.99	-168.9	-51.79	-141.5	26.06	105.7	-10.91	-160.9
26.0	-8.17	126.0	-49.56	-153.4	24.49	-20.5	-6.82	136.4
27.0	-9.05	45.7	-44.13	166.0	20.66	-148.9	-6.10	52.1
28.0	-9.66	-30.2	-40.51	105.0	15.31	94.2	-6.26	-32.5
29.0	-8.13	-97.8	-38.79	31.6	9.93	-14.0	-5.33	-103.9
30.0	-5.76	-162.0	-41.01	-35.6	4.38	-119.1	-3.89	-166.5
31.0	-4.47	137.5	-44.25	-93.3	-1.54	142.4	-2.98	137.8
32.0	-4.20	78.5	-49.31	-139.5	-7.18	49.5	-2.63	84.9
33.0	-4.54	17.2	-56.22	-165.7	-12.39	-40.7	-2.62	29.5
34.0	-4.94	-45.9	-59.42	-136.5	-17.40	-128.1	-2.57	-28.3
35.0	-5.75	-109.1	-51.36	-101.8	-22.45	149.4	-2.48	-86.5
36.0	-7.06	-172.4	-39.82	-150.9	-28.69	75.1	-2.41	-144.8
37.0	-9.37	126.4	-33.50	114.3	-33.02	34.4	-2.31	161.4
38.0	-15.98	61.3	-35.77	32.6	-36.77	-39.2	-2.17	111.6
39.0	-17.26	175.7	-38.75	-21.1	-49.02	-92.9	-2.27	60.8
40.0	-7.28	106.7	-40.00	-49.6	-44.29	-16.7	-2.56	9.7

Typical Test Fixture Measurements

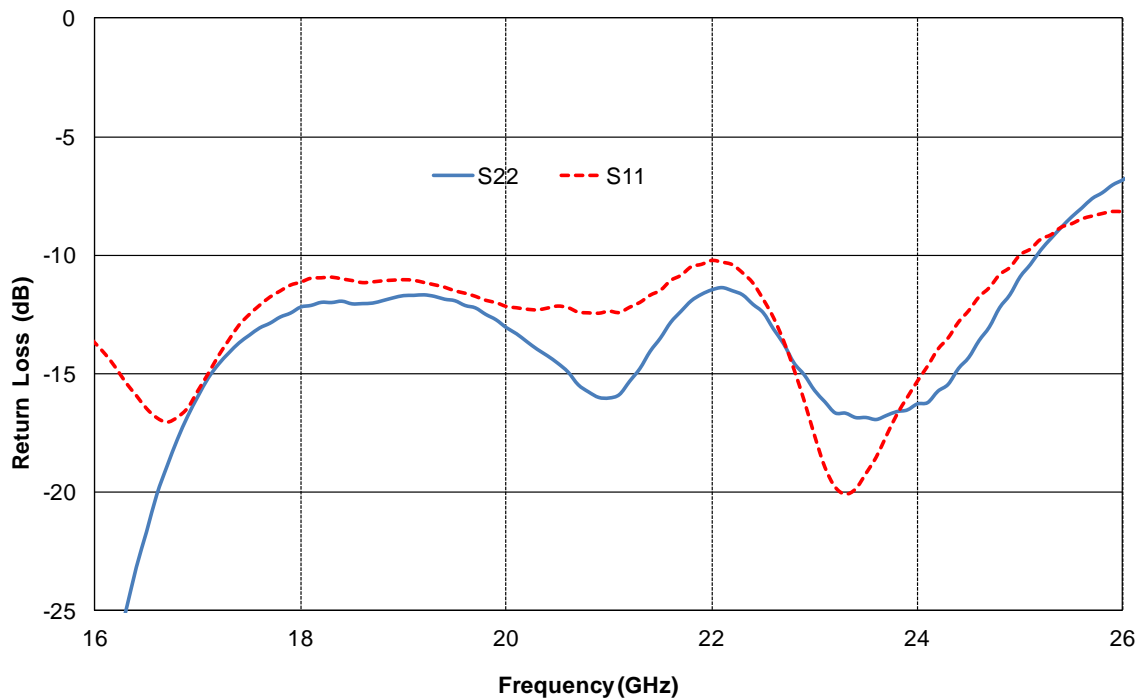
Tamb.= +25°C, Vd = +4.0V, Id = 230mA

These values are representative of test fixture measurements.

Linear Gain versus Frequency in Temperature



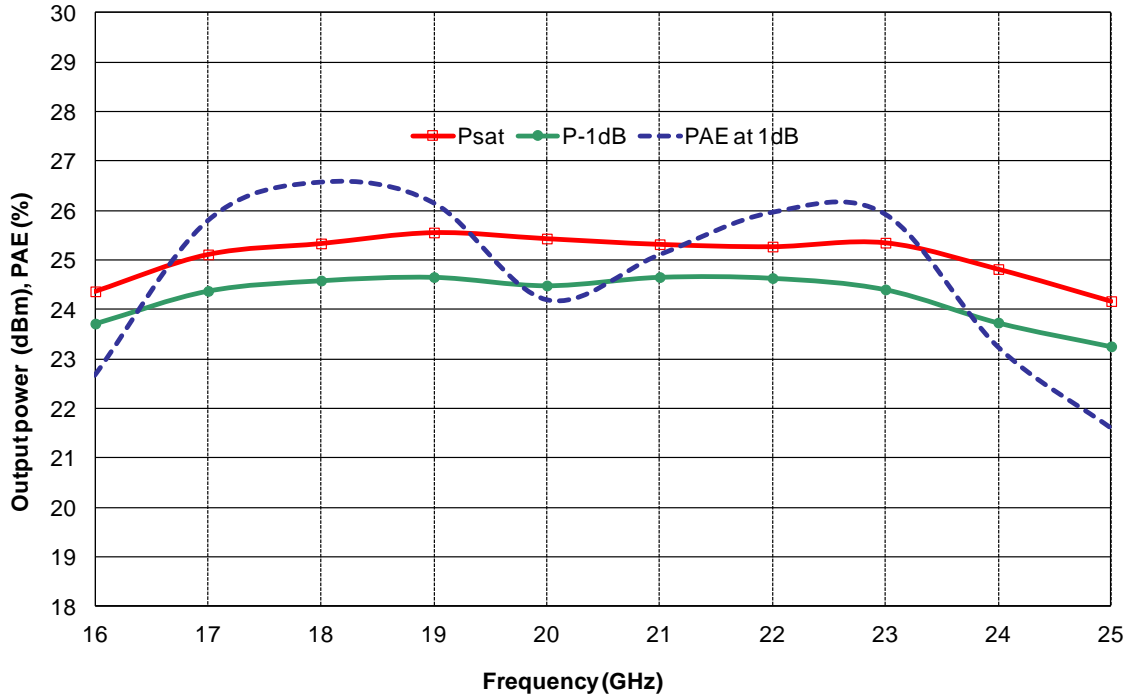
Return losses versus Frequency



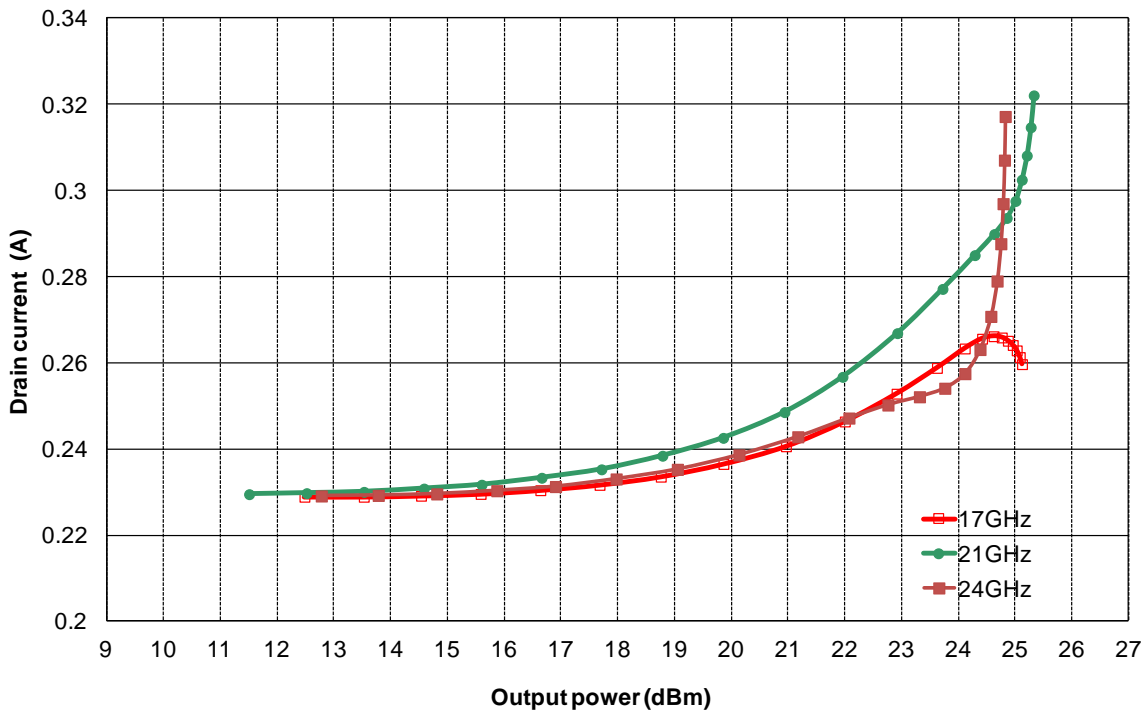
Typical Board Measurements

Tamb.= +25°C, Vd = +4.0V, Id = 230mA

Output power & PAE versus Frequency



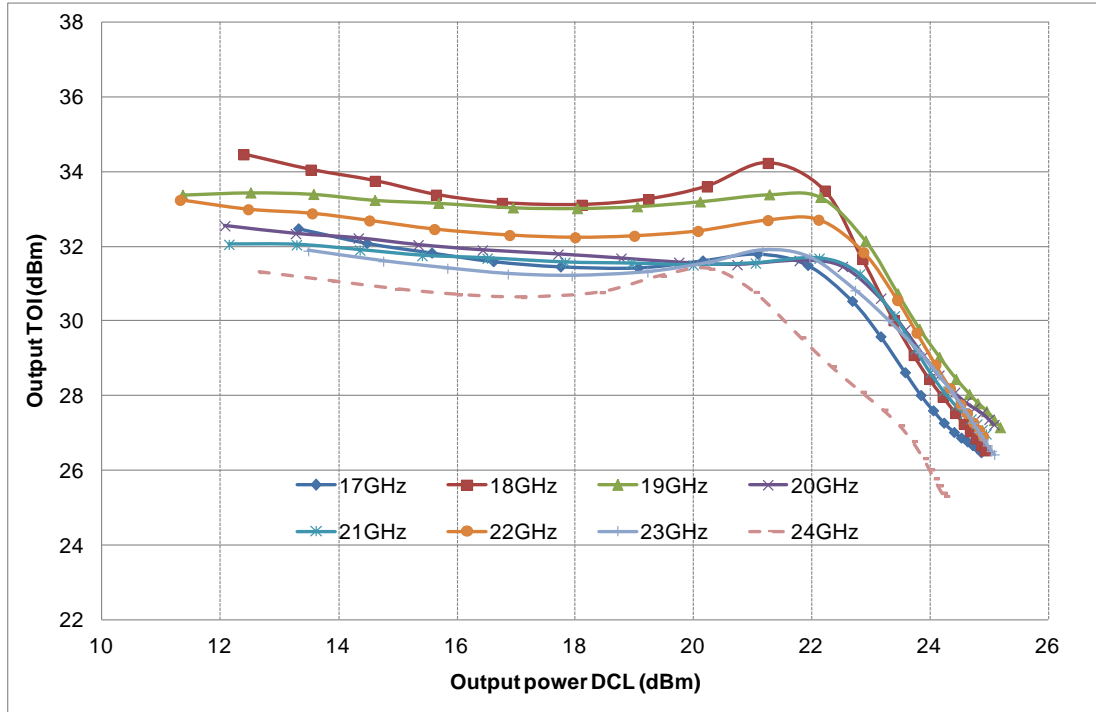
Current versus Output Power



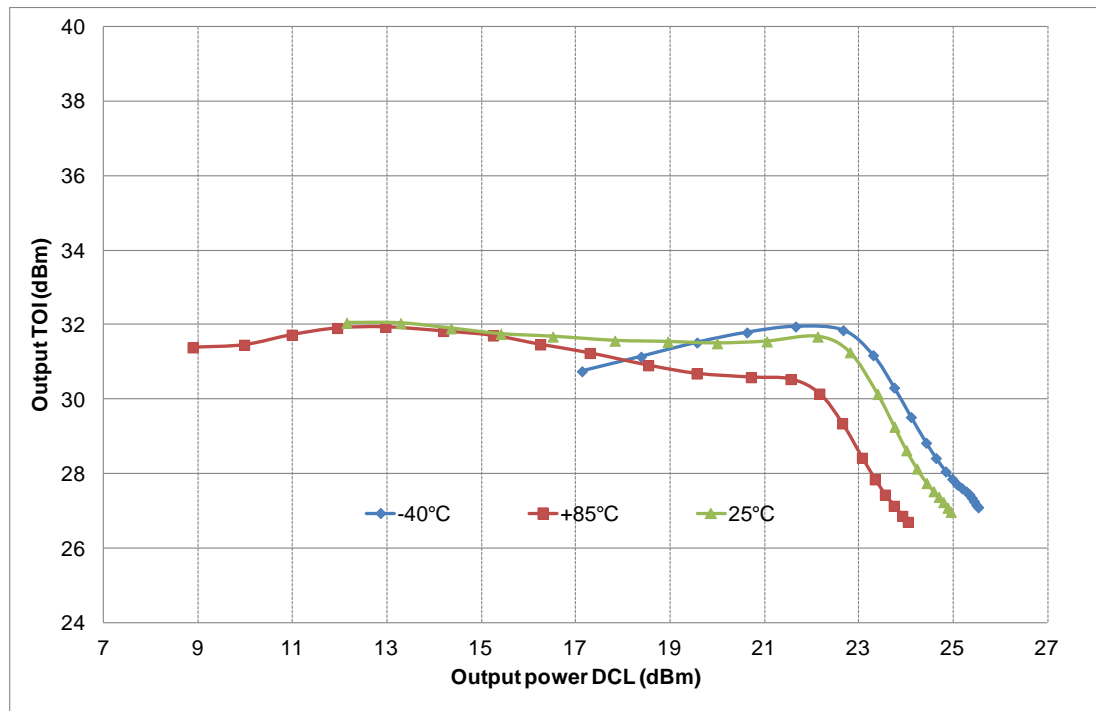
Typical Board Measurements

Tamb.= +25°C, Vd = +4.0V, Id = 230mA

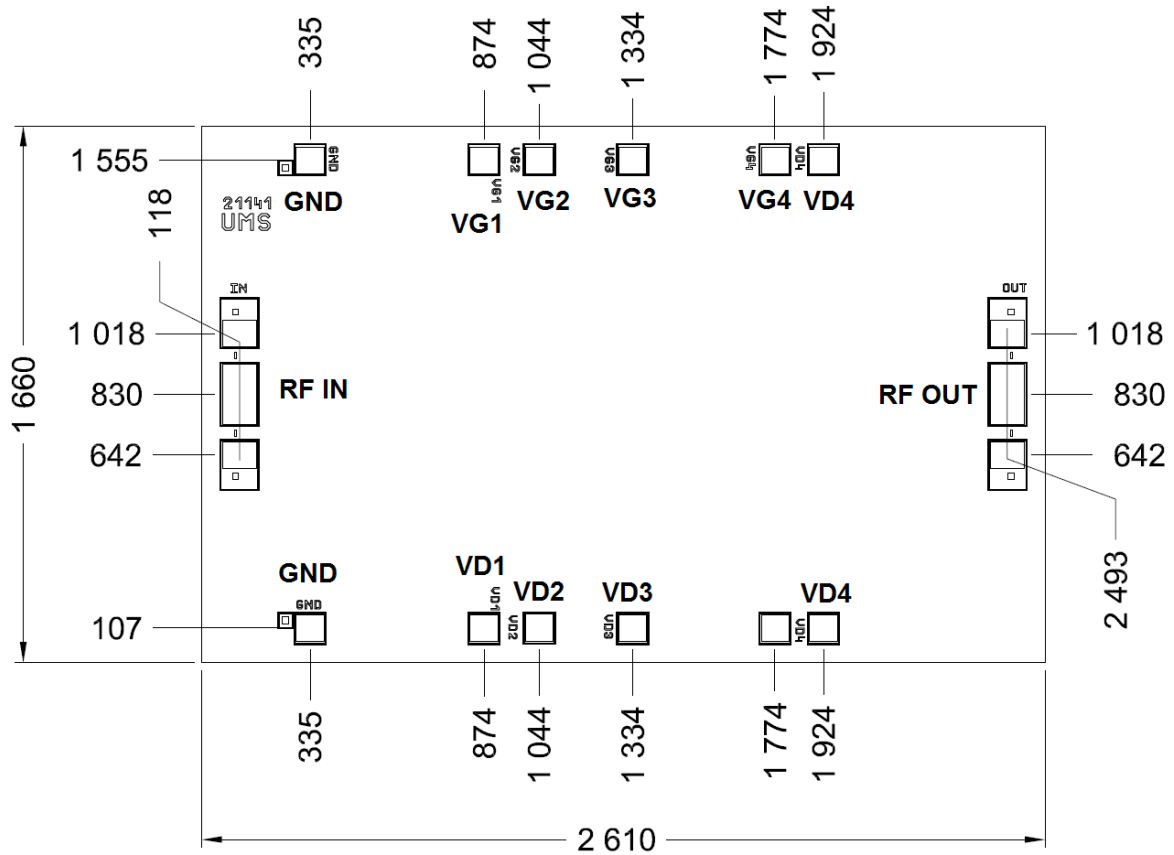
Output TOI versus Output Power DCL & Frequency



Output TOI versus Output Power DCL in Temperature at 21GHz

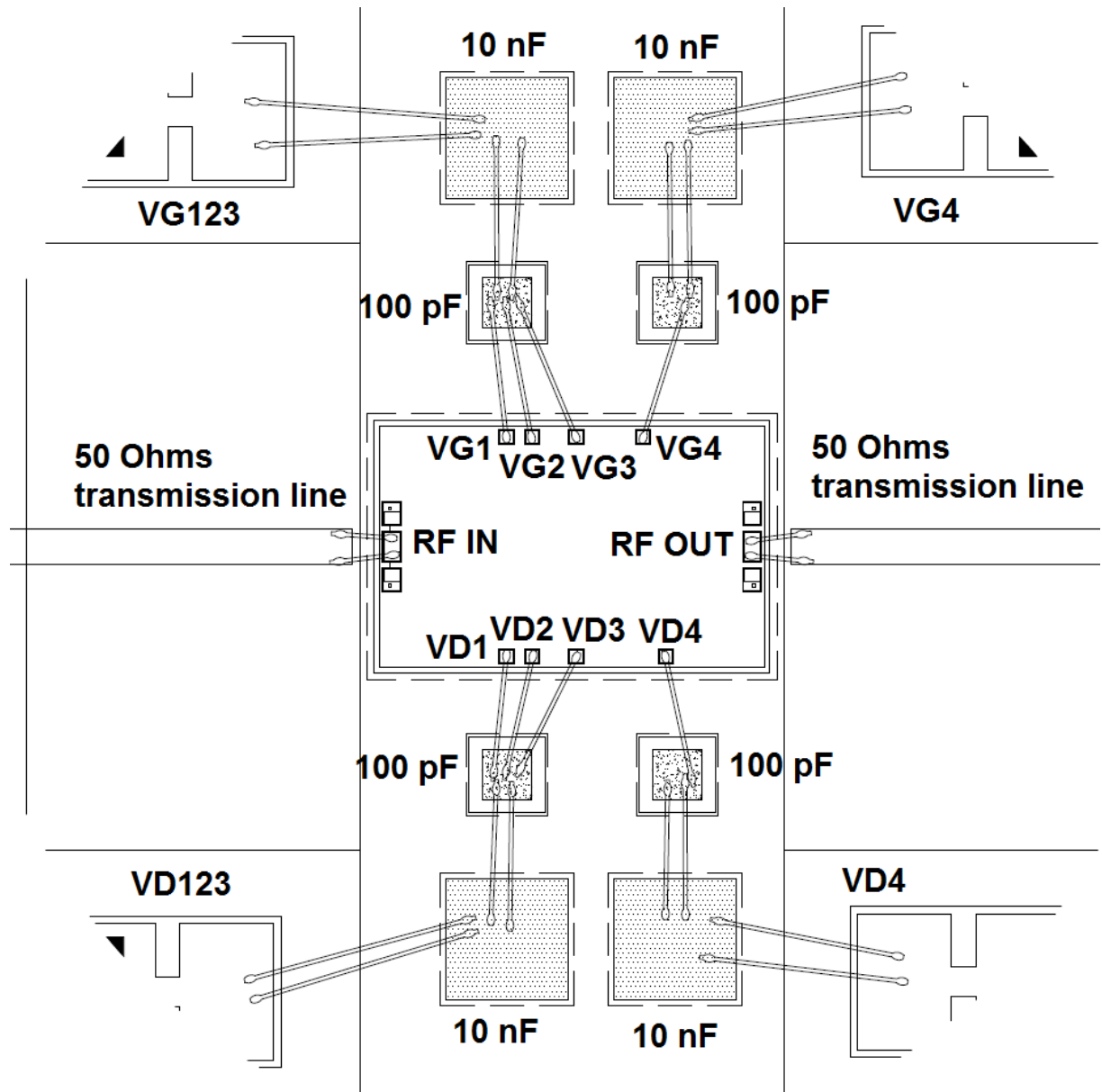


Mechanical data



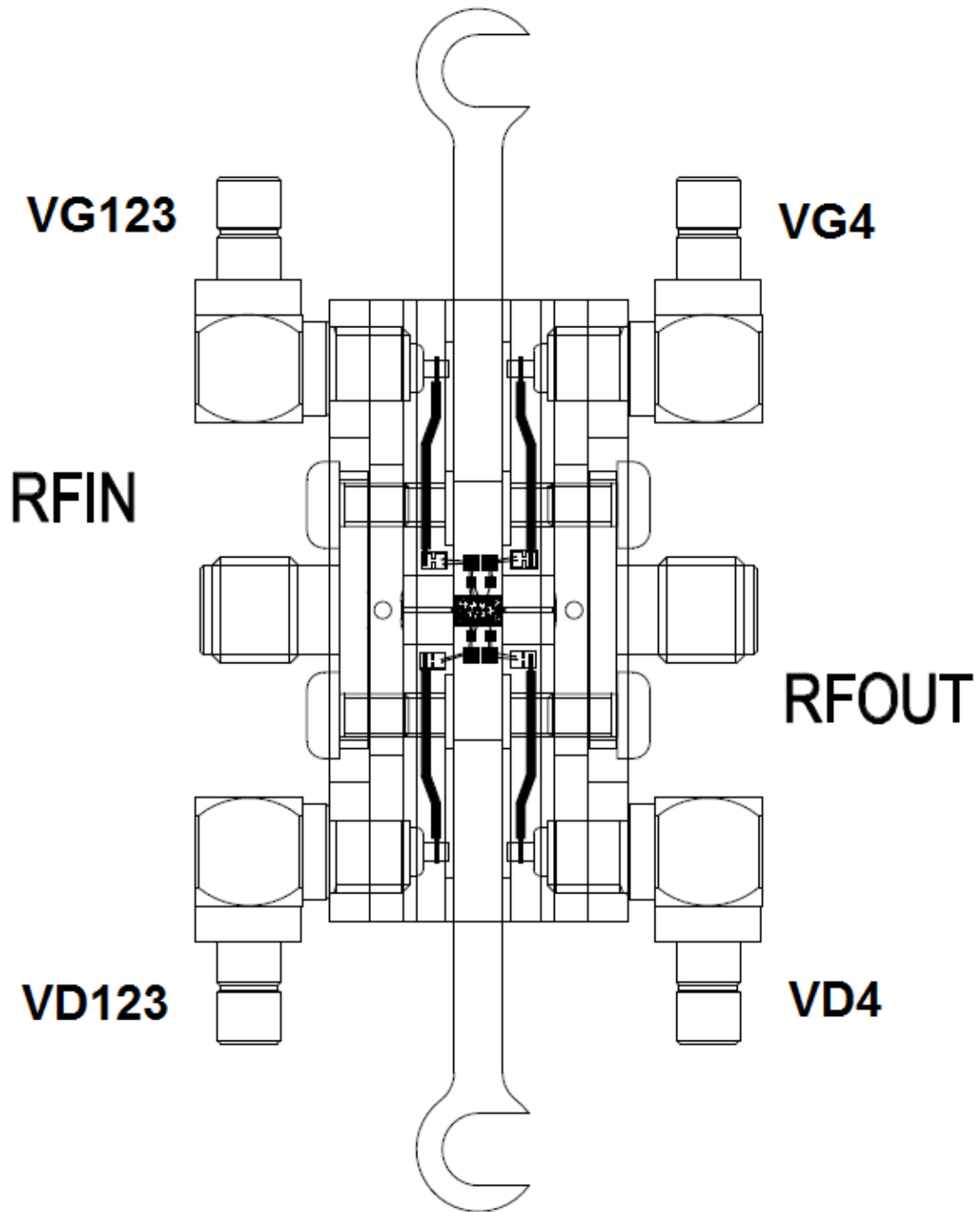
Chip thickness: 70 μm .
 Chip size: 2610x1660 \pm 35 μm
 All dimensions are in micrometers

Recommended assembly plan

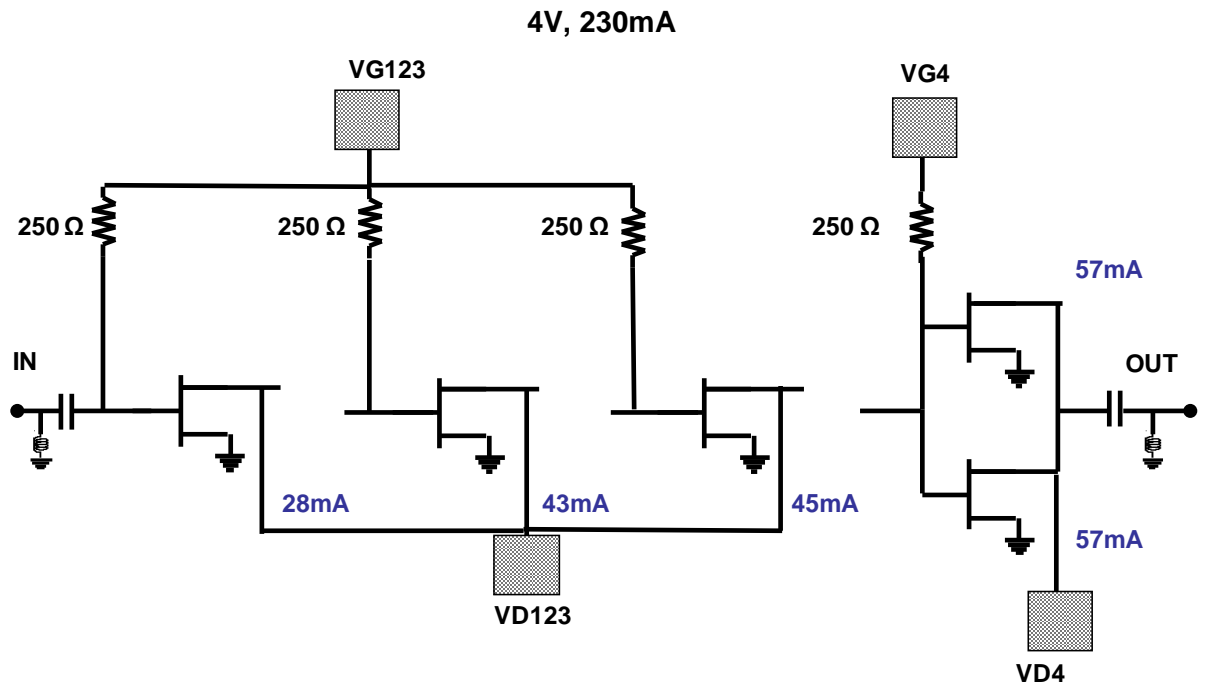


Note: Supply feed should be bypassed. 25µm diameter gold wire is to be preferred.

Evaluation test fixture



DC Schematic



Notes

Recommended ESD management

Refer to the application note AN0020 available at <https://www.ums-rf.com> for ESD sensitivity and handling recommendations for the UMS products.

Recommended environmental management

UMS products are compliant with the regulation in particular with the directives RoHS N°2011/65 and REACH N°1907/2006. More environmental data are available in the application note AN0019 also available at <https://www.ums-rf.com>.

Ordering Information

Chip form:

CHA4253a98F/00

Information furnished is believed to be accurate and reliable. However **United Monolithic Semiconductors S.A.S.** assumes no responsibility for the consequences of use of such information nor for any infringement of patents or other rights of third parties which may result from its use. No license is granted by implication or otherwise under any patent or patent rights of **United Monolithic Semiconductors S.A.S.** Specifications mentioned in this publication are subject to change without notice. This publication supersedes and replaces all information previously supplied. **United Monolithic Semiconductors S.A.S.** products are not authorised for use as critical components in life support devices or systems without express written approval from **United Monolithic Semiconductors S.A.S.**