

Features

- 0805 size
- Available in E12 Series
- High frequency
- Nickel barrier

Applications

- Mobil phones
- Cellular phones
- CTV, VCR, HIC, FDD
- Automotive electronics

CI201210 Series - Multi-Layer Chip Inductors

Electrical Specifications

| Bourns Part No. | Inductance | | Q | Test Freq. | SRF MHz | | DCR | I rms |
|-----------------|------------|--------|----|------------|---------|-------|------|-------|
| | nH | Tol.% | | | min. | typ. | | |
| CI201210-1N0D | 1.0 | ±0.3nH | 10 | 100 | 4000 | 12000 | 0.10 | 300 |
| CI201210-1N2D | 1.2 | ±0.3nH | 10 | 100 | 4000 | 10000 | 0.10 | 300 |
| CI201210-1N5D | 1.5 | ±0.3nH | 10 | 100 | 4000 | 10000 | 0.10 | 300 |
| CI201210-1N8D | 1.8 | ±0.3nH | 10 | 100 | 4000 | 8000 | 0.10 | 300 |
| CI201210-2N2D | 2.2 | ±0.3nH | 10 | 100 | 3800 | 8000 | 0.10 | 300 |
| CI201210-2N7D | 2.7 | ±0.3nH | 10 | 100 | 3600 | 6000 | 0.10 | 300 |
| CI201210-3N3D | 3.3 | ±0.3nH | 10 | 100 | 3400 | 6000 | 0.13 | 300 |
| CI201210-3N9D | 3.9 | ±0.3nH | 10 | 100 | 3200 | 5400 | 0.15 | 300 |
| CI201210-4N7D | 4.7 | ±0.3nH | 10 | 100 | 3000 | 4500 | 0.20 | 300 |
| CI201210-5N6D | 5.6 | ±0.3nH | 10 | 100 | 2800 | 4000 | 0.23 | 300 |
| CI201210-6N8J | 6.8 | ±5 | 10 | 100 | 2600 | 3650 | 0.25 | 300 |
| CI201210-8N2J | 8.2 | ±5 | 10 | 100 | 2200 | 3000 | 0.28 | 300 |
| CI201210-10NJ | 10 | ±5 | 10 | 100 | 1800 | 2500 | 0.30 | 300 |
| CI201210-12NJ | 12 | ±5 | 10 | 100 | 1650 | 2450 | 0.35 | 300 |
| CI201210-15NJ | 15 | ±5 | 10 | 100 | 1350 | 2000 | 0.40 | 300 |
| CI201210-18NJ | 18 | ±5 | 10 | 100 | 1350 | 1750 | 0.45 | 300 |
| CI201210-22NJ | 22 | ±5 | 15 | 100 | 1100 | 1700 | 0.50 | 300 |
| CI201210-27NJ | 27 | ±5 | 15 | 100 | 1100 | 1550 | 0.55 | 300 |
| CI201210-33NJ | 33 | ±5 | 15 | 100 | 1000 | 1350 | 0.60 | 300 |
| CI201210-39NJ | 39 | ±5 | 15 | 100 | 900 | 1300 | 0.65 | 300 |
| CI201210-47NJ | 47 | ±5 | 15 | 100 | 850 | 1200 | 0.70 | 300 |
| CI201210-56NJ | 56 | ±5 | 15 | 100 | 750 | 1150 | 0.75 | 300 |
| CI201210-68NJ | 68 | ±5 | 15 | 100 | 400 | 1000 | 0.80 | 300 |
| CI201210-82NJ | 82 | ±5 | 15 | 100 | 600 | 850 | 0.90 | 300 |
| CI201210-R10J | 100 | ±5 | 15 | 100 | 500 | 730 | 1.00 | 300 |
| CI201210-R12J | 120 | ±5 | 15 | 50 | 450 | 650 | 1.30 | 250 |
| CI201210-R15J | 150 | ±5 | 15 | 50 | 400 | 550 | 1.50 | 250 |
| CI201210-R18J | 180 | ±5 | 15 | 50 | 350 | 500 | 1.80 | 250 |
| CI201210-R22J | 220 | ±5 | 10 | 50 | 330 | 450 | 2.00 | 250 |
| CI201210-R27J | 270 | ±5 | 10 | 50 | 300 | 410 | 2.50 | 250 |
| CI201210-R33J | 330 | ±5 | 10 | 50 | 270 | 370 | 3.00 | 250 |
| CI201210-R39J | 390 | ±5 | 10 | 50 | 220 | 330 | 3.50 | 250 |
| CI201210-R47J | 470 | ±5 | 10 | 50 | 180 | 280 | 4.00 | 250 |

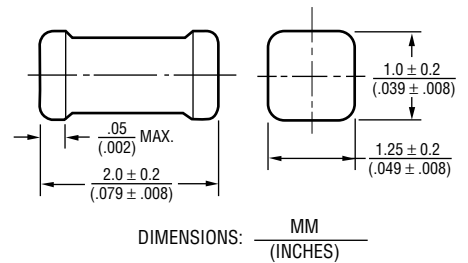
General Specifications

Temperature Rise20°C max. at rated current
 Operating Temperature...-55°C to +125°C
 Storage Temperature-55°C to +125°C
 Reflow Soldering.....230°C, 10 sec. max.
 Resistance to Soldering Heat260°C, 10 seconds

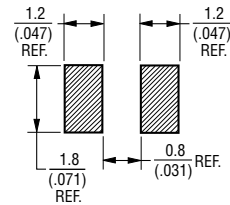
Materials

Base MaterialCeramic
 Terminal Electrode.....Ag, Ni, Sn
 Packaging.....3,000 pcs. per reel

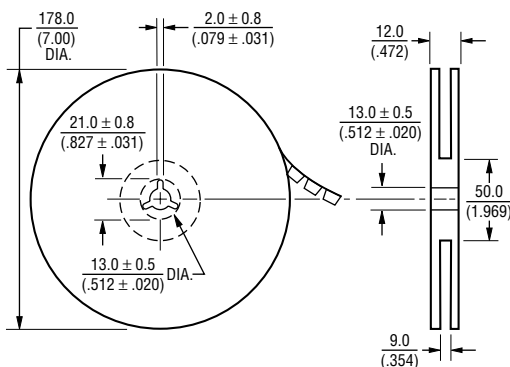
Product Dimensions



Recommended Layout



Packaging Specifications



CI201210 Series - Multi-Layer Chip Inductors



Electrical Specifications

