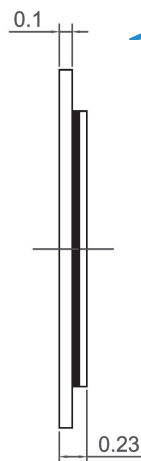
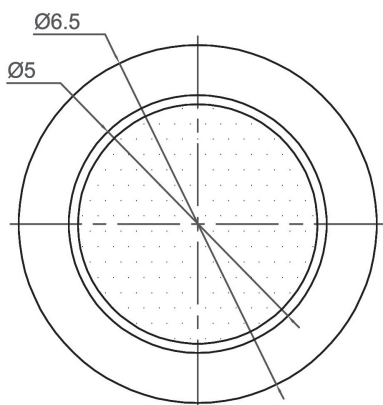
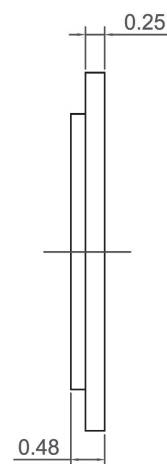
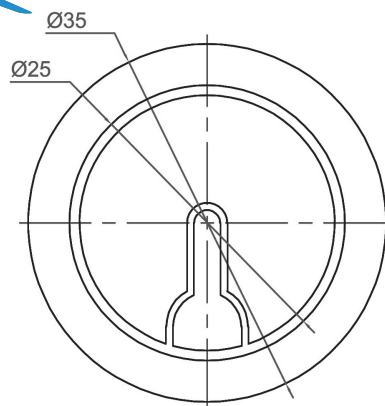


Piezo Element



| Series | Canopus Part no. | Diameter (mm) | Ceramic Diameter (mm) | Height (mm) | Metal Thickness (mm) | Frequency (Hz) | Capacitance (Cm) (pF) | Capacitance (Cf) (pF) |
|---------|------------------|---------------|-----------------------|-------------|----------------------|----------------|-----------------------|-----------------------|
| CPE0622 | CPE0622B135 | Ø 6.5 | Ø 5 | 0.22 | 0.1 | 13500 ± 2000 | 2600 ± 30 % | - |
| CPE1245 | CPE1245B165 | Ø 12 | Ø 9 | 0.45 | 0.2 | 16500 ± 1000 | 4000 ± 30 % | - |
| CPE1543 | CPE1543B100 | Ø 15 | Ø 10 | 0.43 | 0.2 | 10500 ± 1000 | 8000 ± 30 % | - |
| CPE2046 | CPE2046B071 | Ø 20 | Ø 15 | 0.46 | 0.2 | 7100 ± 500 | 13000 ± 30 % | - |
| CPE2738 | CPE2738B033 | Ø 27 | Ø 20 | 0.38 | 0.2 | 3300 ± 500 | 35000 ± 30 % | - |
| CPE3146 | CPE3146B029 | Ø 31 | Ø 20 | 0.46 | 0.2 | 2900 ± 300 | 23000 ± 30 % | - |
| CPE3551 | CPE3551B023 | Ø 35 | Ø 25 | 0.51 | 0.25 | 2300 ± 300 | 37000 ± 30 % | - |
| CPE4141 | CPE4141B015 | Ø 41 | Ø 25 | 0.41 | 0.2 | 1500 ± 300 | 40000 ± 30 % | - |
| CPE5041 | CPE5041B011 | Ø 50 | Ø 30 | 0.41 | 0.2 | 1100 ± 300 | 60000 ± 30 % | - |



| Series | Canopus Part no. | Diameter (mm) | Ceramic Diameter (mm) | Height (mm) | Metal Thickness (mm) | Frequency (Hz) | Capacitance (Cm) (pF) | Capacitance (Cf) (pF) |
|---------|------------------|---------------|-----------------------|-------------|----------------------|----------------|-----------------------|-----------------------|
| CIP2022 | CIP2022B039 | Ø 20 | Ø 15 | 0.22 | 0.1 | 3900 ± 500 | 25000 ± 30 % | 2700 ± 30 % |
| CIP2732 | CIP2732B030 | Ø 27 | Ø 20 | 0.32 | 0.15 | 3000 ± 300 | 30000 ± 30 % | 3100 ± 30 % |
| CIP3548 | CIP3548B026 | Ø 35 | Ø 25 | 0.48 | 0.25 | 2600 ± 300 | 36000 ± 30 % | 4000 ± 30 % |
| CIP3542 | CIP3542S032 | Ø 34.55 | Ø 25 | 0.52 | 0.3 | 3200 ± 300 | 37000 ± 30 % | 4600 ± 30 % |

Your Efficient Supplier
www.canopus.com.hk

TEL.: (852) 2806 2812

Fax: (852) 2652 2216

CANOPUS