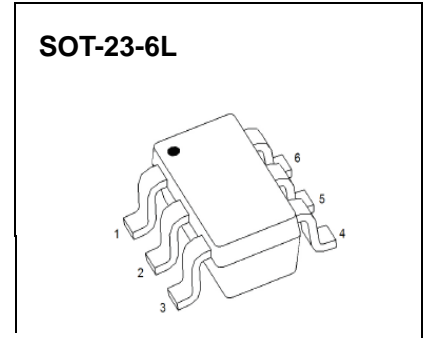




**SOT-23-\* L Plastic-Encapsulate MOSFETS**

**CJ@415** P-Channel 20V(D-S) MOSFET

$V_{(BR)DSS}$	$R_{DS(on)MAX}$	$I_D$
-20V	50mΩ@-4.5V	-4.0A
	60mΩ@-2.5V	
	73mΩ@-1.8V	



**FEATURE**

Excellent  $R_{DS(ON)}$ , low gate charge, low gate voltage  
High power and current handing capability

**APPLICATION**

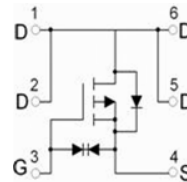
Load switch and in PWM applicatopns .

**MARKING:**



PIN1

**Equivalent Circuit**



**Maximum ratings ( $T_a=25^{\circ}C$  unless otherwise noted)**

Parameter	Symbol	Value	Unit
Drain-Source Voltage	$V_{DS}$	-20	V
Gate-Source Voltage	$V_{GS}$	±8	
Continuous Drain Current ( $t \leq 10s$ )	$I_D$	-4.0	A
Pulsed Drain Current (note1)	$I_{DM}$	-30	A
Maximum Power Dissipation ( $t \leq 10s$ )	$P_D$	0.35	W
Thermal Resistance from Junction to Ambient	$R_{\theta JA}$	357	$^{\circ}C/W$
Operating Junction Temperature	$T_J$	150	$^{\circ}C$
Storage Temperature	$T_{STG}$	-55 ~ +150	$^{\circ}C$

## MOSFET ELECTRICAL CHARACTERISTICS

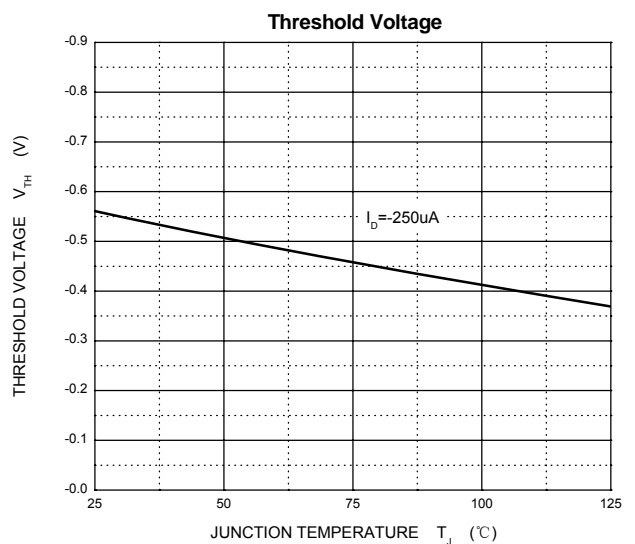
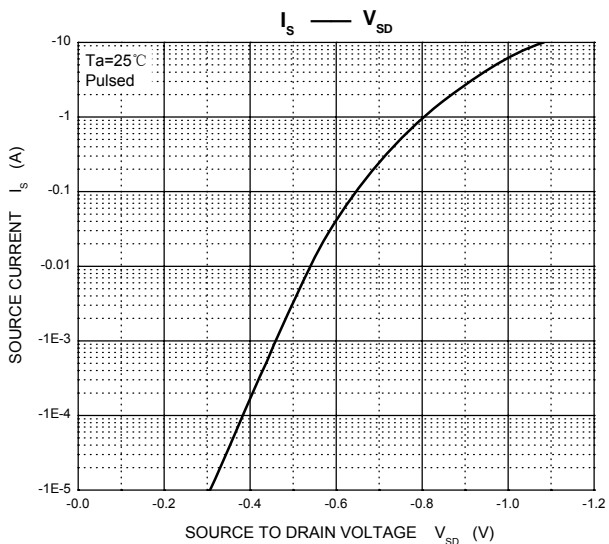
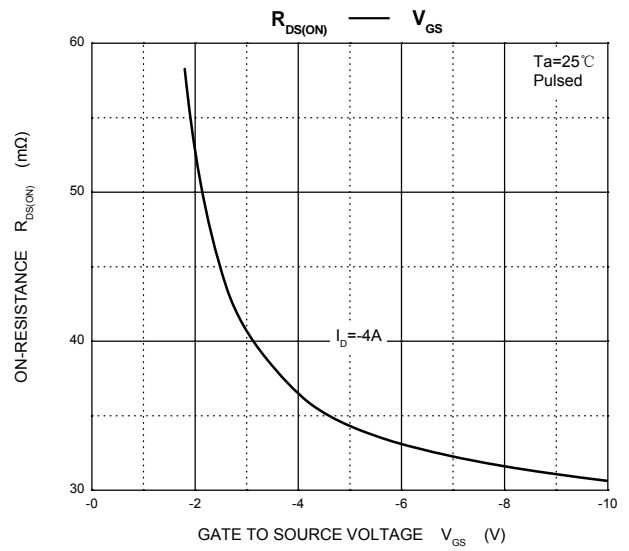
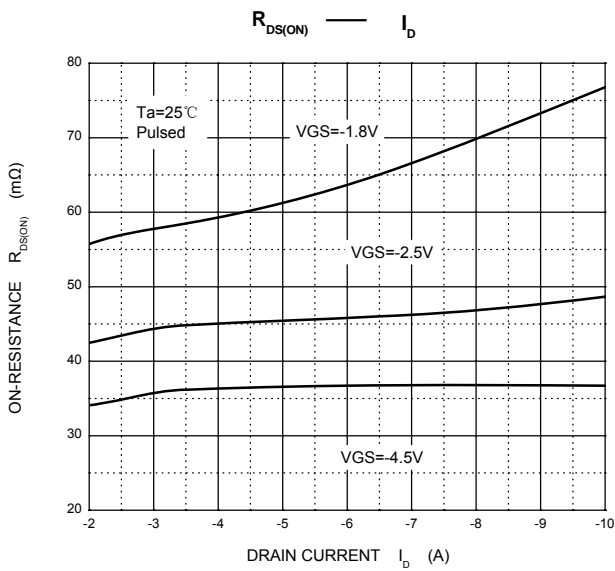
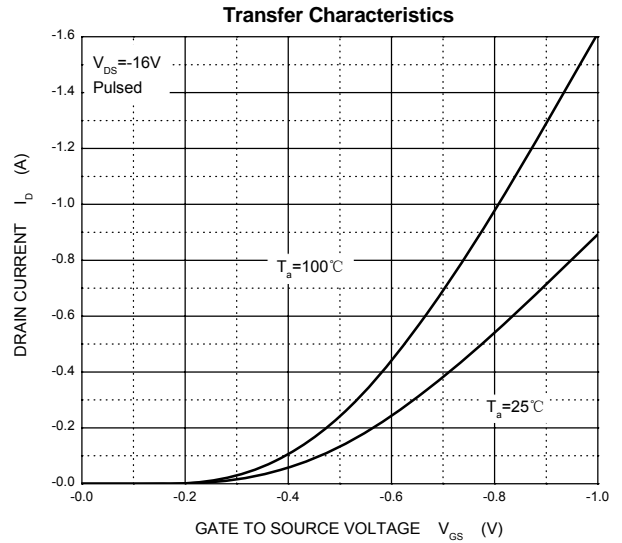
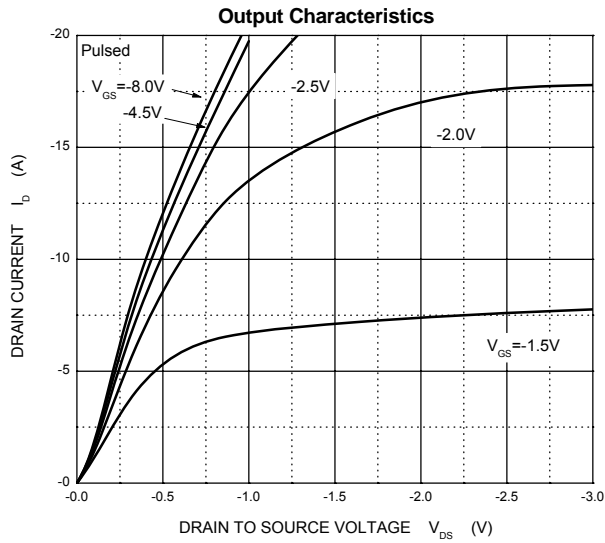
$T_a = 25^\circ\text{C}$  unless otherwise specified

Parameter	Symbol	Test Condition	Min	Typ	Max	Unit
<b>Static Parameters</b>						
Drain-source breakdown voltage	$V_{(BR)DSS}$	$V_{GS} = 0V, I_D = -250\mu A$	-20			V
Gate threshold voltage (note2)	$V_{GS(th)}$	$V_{DS} = V_{GS}, I_D = -250\mu A$	-0.3	-0.56	-1	
Gate-body leakage current	$I_{GSS}$	$V_{DS} = 0V, V_{GS} = \pm 8V$			$\pm 10$	$\mu A$
		$V_{DS} = 0V, V_{GS} = \pm 4.5V$			$\pm 1$	
Zero gate voltage drain current	$I_{DSS}$	$V_{DS} = -16V, V_{GS} = 0V$			-1	
Drain-source on-state resistance(note2)	$R_{DS(on)}$	$V_{GS} = -4.5V, I_D = -4A$		37	50	$m\Omega$
		$V_{GS} = -2.5V, I_D = -4A$		45	60	
		$V_{GS} = -1.8V, I_D = -2A$		56	73	
Forward transconductance(note2)	$g_{FS}$	$V_{DS} = -5V, I_D = -4A$	8	16		S
<b>Dynamic Parameters (note3)</b>						
Input capacitance	$C_{iss}$	$V_{DS} = -10V, V_{GS} = 0V, f = 1MHz$		1450		$pF$
Output capacitance	$C_{oss}$			205		
Reverse transfer capacitance	$C_{rss}$			160		
<b>Switching Parameters(note3)</b>						
Total gate charge	$Q_g$	$V_{DS} = -10V, V_{GS} = -4.5V, I_D = -4A$		17.2		$nC$
Gate-Source charge	$Q_{gs}$			1.3		
Gate-drain charge	$Q_{gd}$			4.5		
Turn-on delay time	$t_{d(on)}$	$V_{DS} = -10V, V_{GS} = -4.5V$ $R_{GEN} = 3\Omega, R_L = 2.5\Omega,$		9.5		$ns$
Turn-on rise time	$t_r$			17		
Turn-off delay time	$t_{d(off)}$			94		
Turn-off fall time	$t_f$			35		
<b>Drain-Source Diode Characteristics</b>						
Drain-source diode forward voltage(note2)	$V_{DS}$	$V_{GS} = 0V, I_S = -1A$			-1	V
Maximum continuous drain-source diode forward current	$I_S$				-4	A

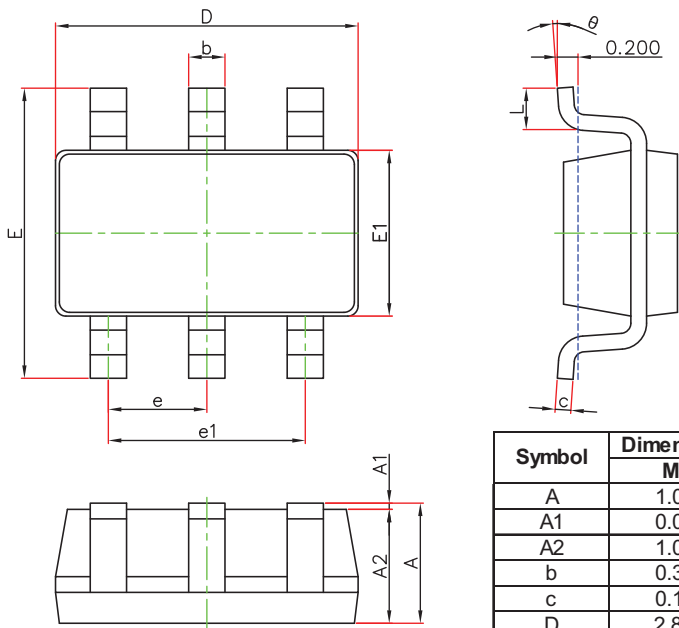
### Notes:

1. Repetitive rating, pulse width limited by junction temperature.
2. Pulse Test : Pulse width  $\leq 300\mu s$ , duty cycle  $\leq 2\%$ .
3. These parameters have no way to verify.

# Typical Characteristics

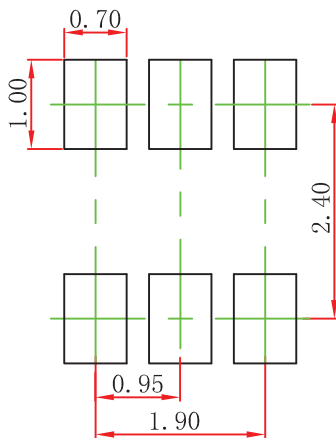


## SOT-23-6L Package Outline Dimensions



Symbol	Dimensions In Millimeters		Dimensions In Inches	
	Min.	Max.	Min.	Max.
A	1.050	1.250	0.041	0.049
A1	0.000	0.100	0.000	0.004
A2	1.050	1.150	0.041	0.045
b	0.300	0.500	0.012	0.020
c	0.100	0.200	0.004	0.008
D	2.820	3.020	0.111	0.119
E1	1.500	1.700	0.059	0.067
E	2.650	2.950	0.104	0.116
e	0.950(BSC)		0.037(BSC)	
e1	1.800	2.000	0.071	0.079
L	0.300	0.600	0.012	0.024
$\theta$	0°	8°	0°	8°

## SOT-23-6L Suggested Pad Layout



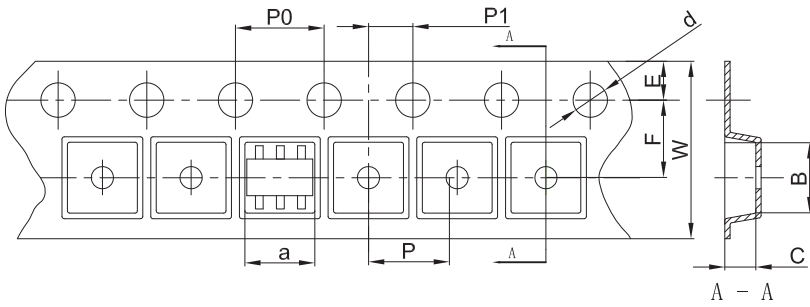
- Note:
1. Controlling dimension: in millimeters.
  2. General tolerance:  $\pm 0.05$  mm.
  3. The pad layout is for reference purposes only.

### NOTICE

JCET reserve the right to make modifications, enhancements, improvements, corrections or other changes without further notice to any product herein. JCET does not assume any liability arising out of the application or use of any product described herein.

# SOT-23-6L Tape and Reel

## SOT-23-6L Embossed Carrier Tape

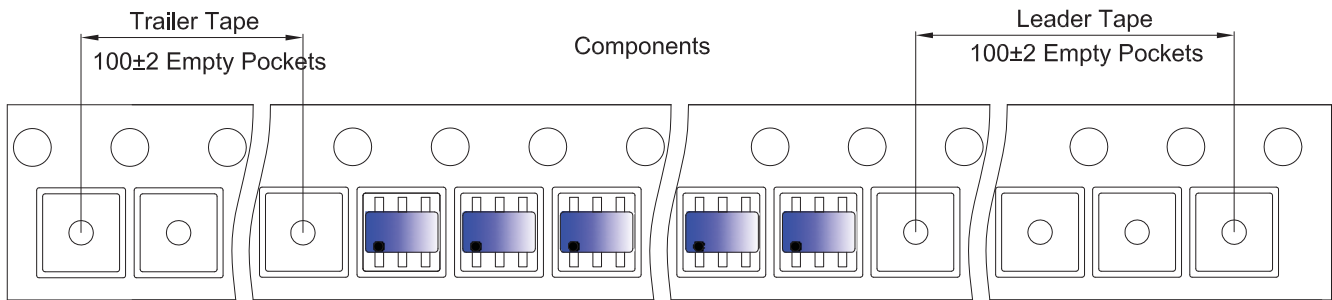


### Packaging Description:

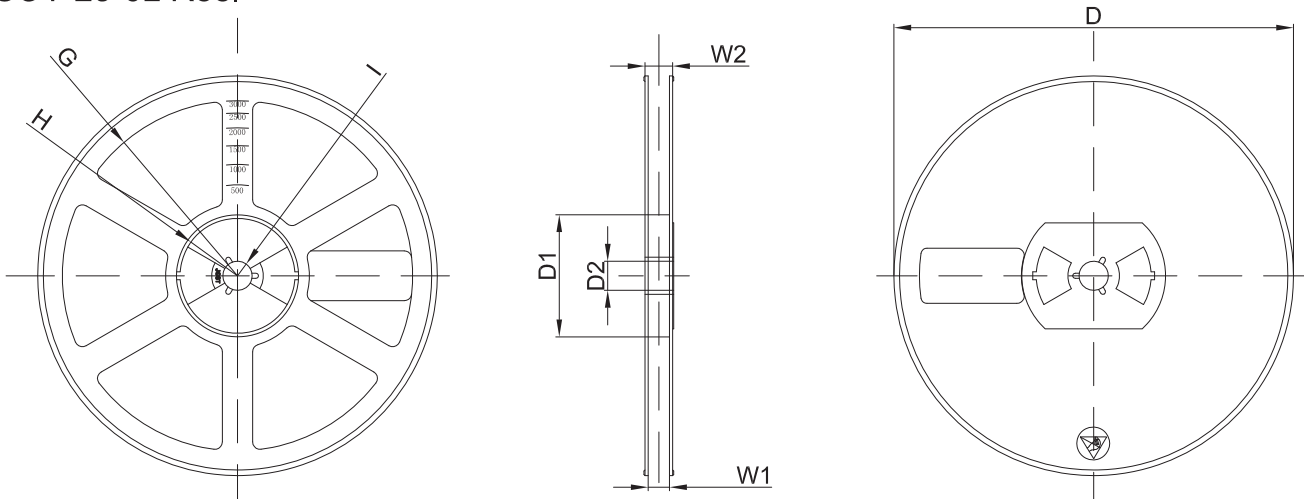
SOT-23-6L parts are shipped in tape. The carrier tape is made from a dissipative (carbon filled) polycarbonate resin. The cover tape is a multilayer film (Heat Activated Adhesive in nature) primarily composed of polyester film, adhesive layer, sealant, and anti-static sprayed agent. These reeled parts in standard option are shipped with 3,000 units per 7" or 18.0cm diameter reel. The reels are clear in color and is made of polystyrene plastic (anti-static coated).

Dimensions are in millimeter										
Pkg type	a	B	C	d	E	F	P0	P	P1	W
SOT-23-6L	3.17	3.23	1.37	Ø1.55	1.75	3.50	4.00	4.00	2.00	8.00

## SOT-23-6L Tape Leader and Trailer



## SOT-23-6L Reel



Dimensions are in millimeter								
Reel Option	D	D1	D2	G	H	I	W1	W2
7" Dia	Ø180.00	60.00	13.00	R78.00	R25.60	R6.50	9.50	13.10

REEL	Reel Size	Box	Box Size(mm)	Carton	Carton Size(mm)	G.W.(kg)
3000 pcs	7 inch	30,000 pcs	203×203×195	120,000 pcs	438×438×220	