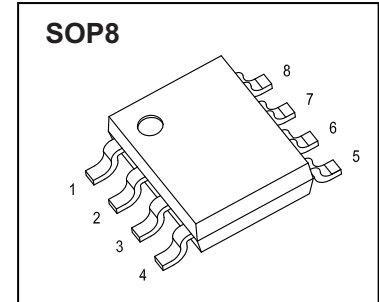


SOP8 Plastic-Encapsulate MOSFETS

CJQ4* % N Channel +P Channel MOSFET

$V_{(BR)DSS}$	$R_{DS(on)MAX}$	I_D
40V	19mΩ@10V	8A
	29mΩ@4.5V	
-40V	35mΩ@-10V	-7A
	45mΩ@-4.5V	



FEATURE

- Surface Mount Package
- Super High Density Cell Design for Extremely Low $R_{DS(ON)}$

APPLICATION

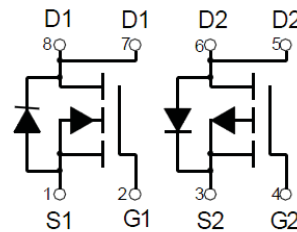
- CCFL Inverter

MARKING



Q4614= Device code
 YY= Code
 Solid dot = Pin1 indicator
 Solid dot = Green molding compound device,
 if none,the normal device.

Equivalent Circuit



ABSOLUTE MAXIMUM RATINGS ($T_a=25^{\circ}C$ unless otherwise noted)

Parameter	Symbol	Value	Unit
N-MOSFET			
Drain-Source Voltage	V_{DS}	40	V
Gate-Source Voltage	V_{GS}	±20	V
Continuous Drain Current (note 1)	I_D	8	A
Pulsed Drain Current ($t_p=10\mu s$)	I_{DM}	32	A
Continuous Source-Drain Diode Current	I_S	8	A
P-MOSFET			
Drain-Source Voltage	V_{DS}	-40	V
Gate-Source Voltage	V_{GS}	±20	V
Continuous Drain Current (note 1)	I_D	-7	A
Pulsed Drain Current ($t_p=10\mu s$)	I_{DM}	-28	A
Continuous Source-Drain Diode Current	I_S	-7	A
Temperature and Thermal Resistance			
Power Dissipation	P_D	2	W
Thermal Resistance from Junction to Ambient (note 1)	$R_{\theta JA}$	62.5	$^{\circ}C/W$
Junction Temperature	T_J	150	$^{\circ}C$
Storage Temperature	T_{STG}	-55~+150	$^{\circ}C$
Lead Temperature for Soldering Purposes(1/8" from case for 10 s)	T_L	260	$^{\circ}C$

MOSFET ELECTRICAL CHARACTERISTICS

N-ch MOSFET ELECTRICAL CHARACTERISTICS($T_a=25^{\circ}\text{C}$ unless otherwise noted)

Parameter	Symbol	Test Condition	Min	Typ	Max	Unit
STATIC CHARACTERISTICS						
Drain-source breakdown voltage	$V_{(BR)DSS}$	$V_{GS} = 0V, I_D = 250\mu A$	40			V
Zero gate voltage drain current	I_{DSS}	$V_{DS} = 40V, V_{GS} = 0V$			1	μA
Gate-body leakage current	I_{GSS}	$V_{GS} = \pm 20V, V_{DS} = 0V$			± 100	nA
Gate threshold voltage (note 2)	$V_{GS(th)}$	$V_{DS} = V_{GS}, I_D = 250\mu A$	1	1.5	2	V
Drain-source on-resistance(note 2)	$R_{DS(on)}$	$V_{GS} = 10V, I_D = 8A$		16	19	$m\Omega$
		$V_{GS} = 4.5V, I_D = 4A$		24	29	$m\Omega$
Forward tranconductance(note 2)	g_{FS}	$V_{DS} = 5V, I_D = 8A$		10		S
Diode forward voltage	V_{SD}	$I_S = 8A, V_{GS} = 0V$			1.2	V
DYNAMIC CHARACTERISTICS (note 4)						
Input Capacitance	C_{iss}	$V_{DS} = 20V, V_{GS} = 0V, f = 1MHz$		415		pF
Output Capacitance	C_{oss}			112		pF
Reverse Transfer Capacitance	C_{rss}			11		pF
SWITCHING CHARACTERISTICS (note 3,4)						
Turn-on delay time	$t_{d(on)}$	$V_{GEN} = 10V, V_{DD} = 20V,$ $R_G = 3\Omega, R_L = 2.5\Omega$		4		ns
Turn-on rise time	t_r			3		ns
Turn-off delay time	$t_{d(off)}$			15		ns
Turn-off fall time	t_f			2		ns
Total Gate Charge	Q_g	$V_{DS} = 20V, I_D = 8A,$ $V_{GS} = 10V$		12		nC
Gate-Source Charge	Q_{gs}			3.2		nC
Gate-Drain Charge	Q_{gd}			3.1		nC

P-ch MOSFET ELECTRICAL CHARACTERISTICS($T_a=25^{\circ}\text{C}$ unless otherwise noted)

Parameter	Symbol	Test Condition	Min	Typ	Max	Unit
STATIC CHARACTERISTICS						
Drain-source breakdown voltage	$V_{(BR)DSS}$	$V_{GS} = 0V, I_D = -250\mu A$	-40			V
Zero gate voltage drain current	I_{DSS}	$V_{DS} = -40V, V_{GS} = 0V$			-1	μA
Gate-body leakage current	I_{GSS}	$V_{GS} = \pm 20V, V_{DS} = 0V$			± 100	nA
Gate threshold voltage (note 2)	$V_{GS(th)}$	$V_{DS} = V_{GS}, I_D = -250\mu A$	-1	-1.5	-2	V
Drain-source on-resistance(note 2)	$R_{DS(on)}$	$V_{GS} = -10V, I_D = -8A$		30	35	$m\Omega$
		$V_{GS} = -4.5V, I_D = -4A$		40	45	$m\Omega$
Forward tranconductance(note 2)	g_{FS}	$V_{DS} = -5V, I_D = -8A$		16		S
Diode forward voltage	V_{SD}	$I_S = -10A, V_{GS} = 0V$			-1.2	V
DYNAMIC CHARACTERISTICS (note 4)						
Input Capacitance	C_{iss}	$V_{DS} = -20V, V_{GS} = 0V, f = 1MHz$		520		pF
Output Capacitance	C_{oss}			100		pF
Reverse Transfer Capacitance	C_{rss}			65		pF
SWITCHING CHARACTERISTICS (note 3,4)						
Turn-on delay time	$t_{d(on)}$	$V_{GEN} = -10V, V_{DD} = -20V,$ $R_G = 6\Omega, R_L = 2.3\Omega$		7.5		ns
Turn-on rise time	t_r			5.5		ns
Turn-off delay time	$t_{d(off)}$			19		ns
Turn-off fall time	t_f			7		ns
Total Gate Charge	Q_g	$V_{DS} = -20V, I_D = -8A,$ $V_{GS} = -10V$		13		nC
Gate-Source Charge	Q_{gs}			3.8		nC
Gate-Drain Charge	Q_{gd}			3.1		nC

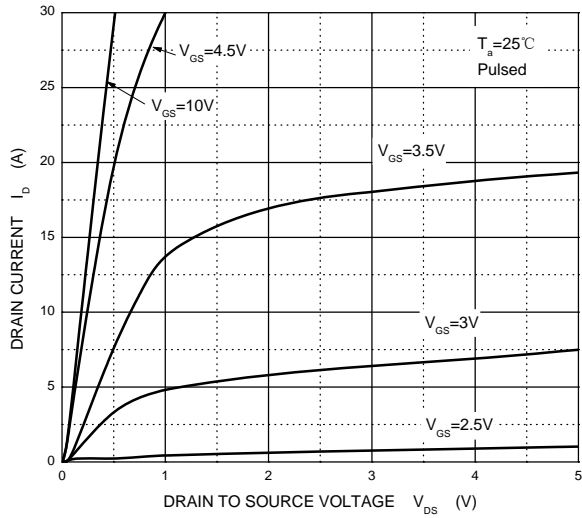
Notes :

1. Surface mounted on FR4 board using the minimum recommended pad size.
2. Pulse Test : Pulse width=300 μs , duty cycle $\leq 2\%$.
3. Switching characteristics are independent of operating junction temperature.
4. Granted by design, not subject to producing.

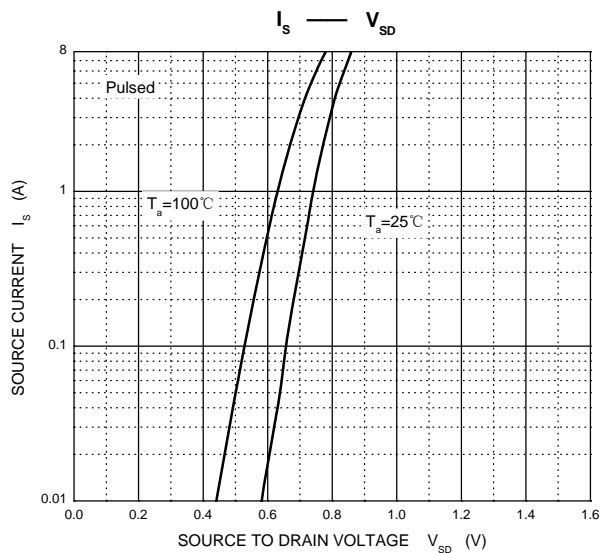
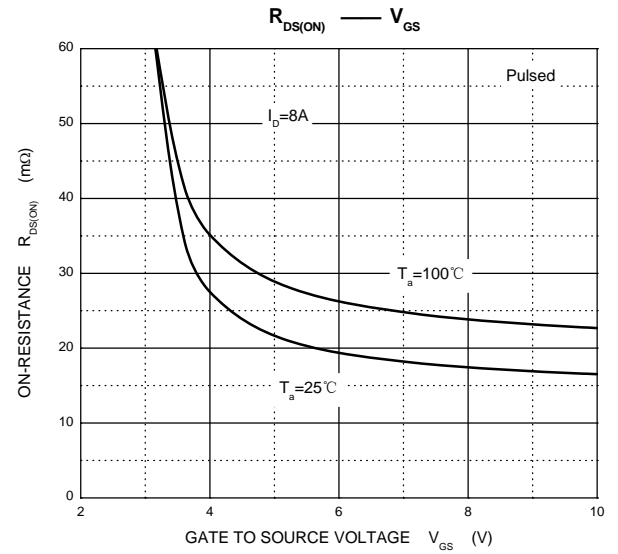
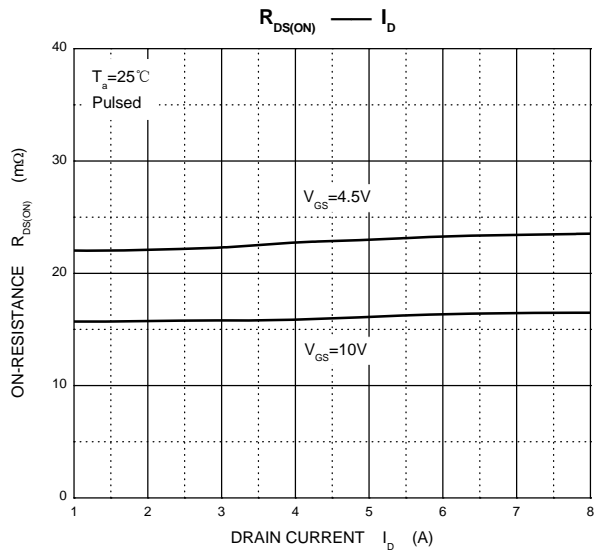
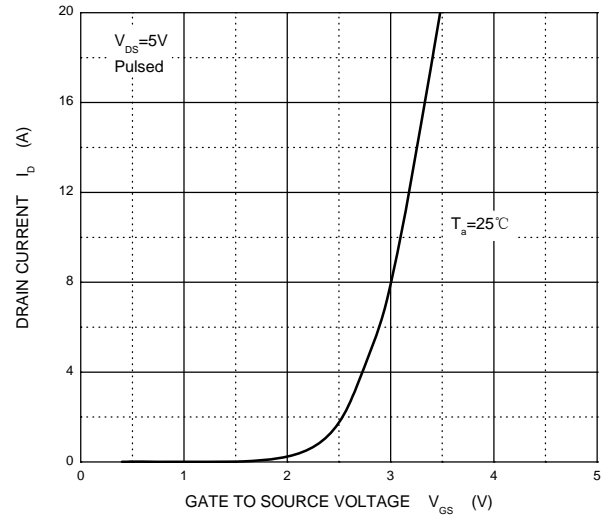
Typical Characteristics

N-Channel MOS

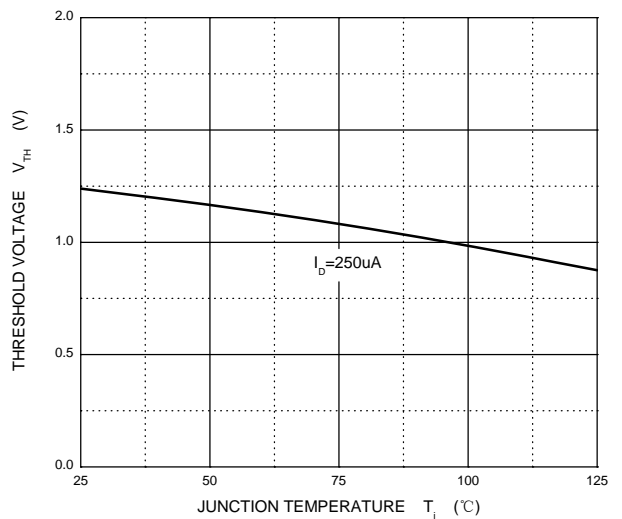
Output Characteristics



Transfer Characteristics



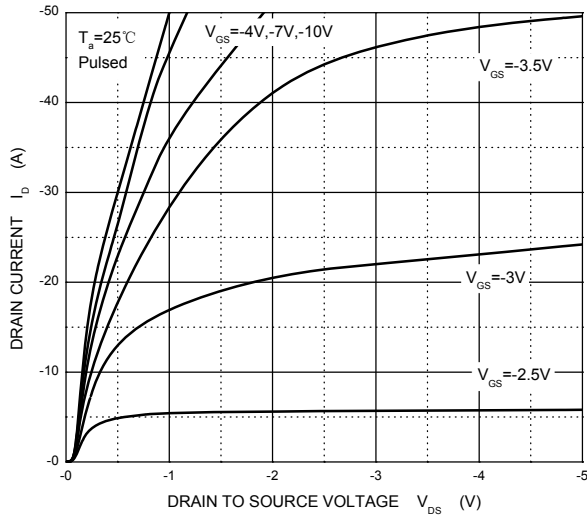
Threshold Voltage



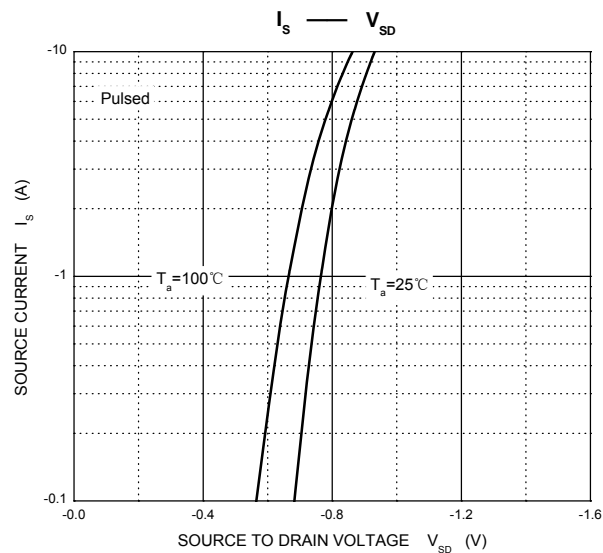
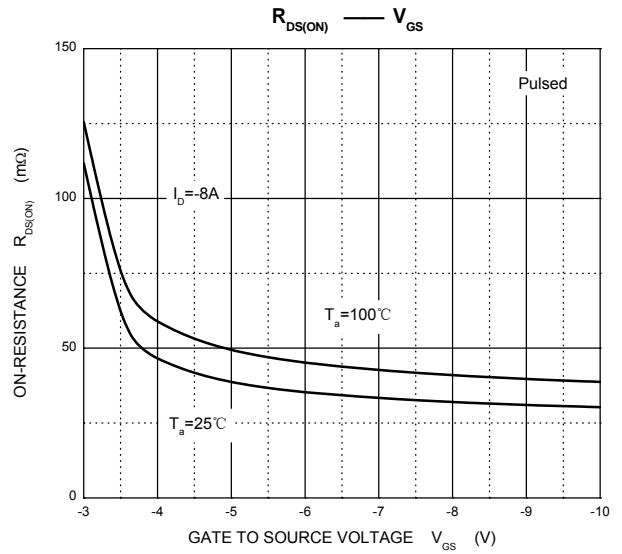
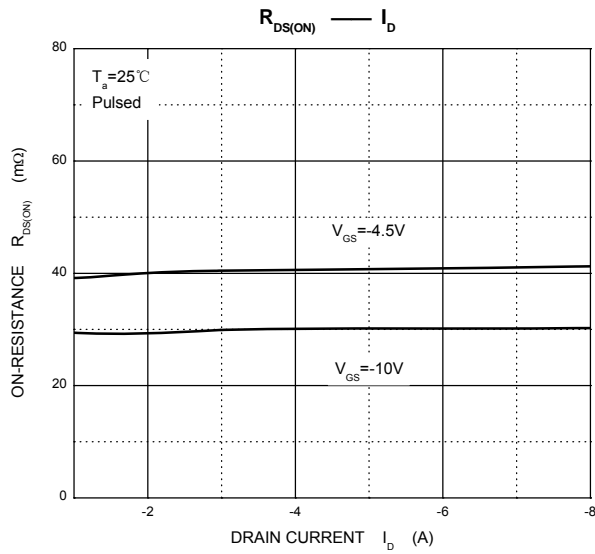
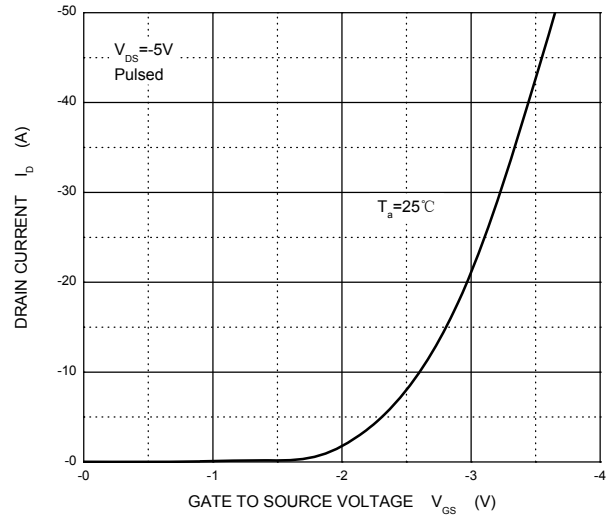
Typical Characteristics

P-Channel MOS

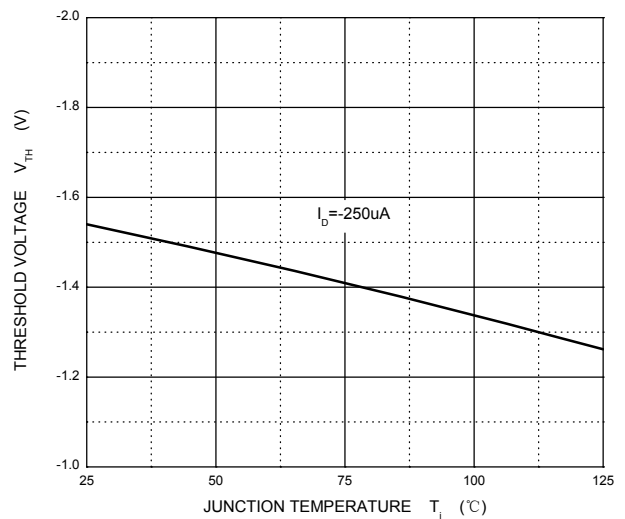
Output Characteristics



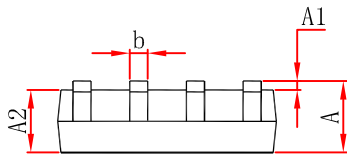
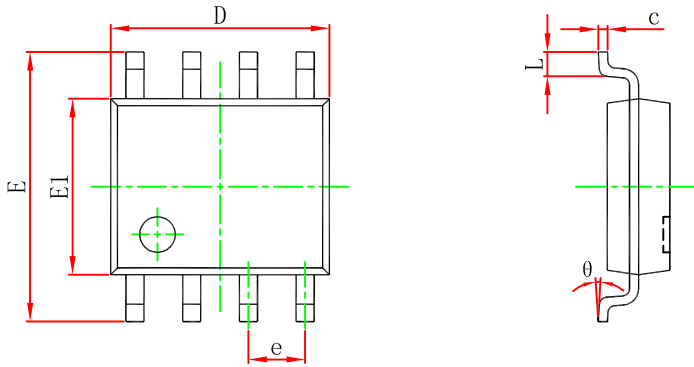
Transfer Characteristics



Threshold Voltage

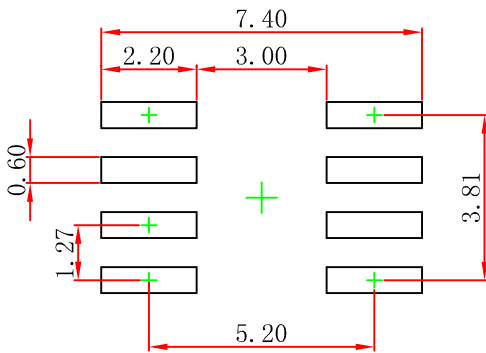


SOP8 Package Outline Dimensions



Symbol	Dimensions In Millimeters		Dimensions In Inches	
	Min	Max	Min	Max
A	1.350	1.750	0.053	0.069
A1	0.100	0.250	0.004	0.010
A2	1.350	1.550	0.053	0.061
b	0.330	0.510	0.013	0.020
c	0.170	0.250	0.007	0.010
D	4.800	5.000	0.189	0.197
e	1.270 (BSC)		0.050 (BSC)	
E	5.800	6.200	0.228	0.244
E1	3.800	4.000	0.150	0.157
L	0.400	1.270	0.016	0.050
θ	0°	8°	0°	8°

SOP8 Suggested Pad Layout



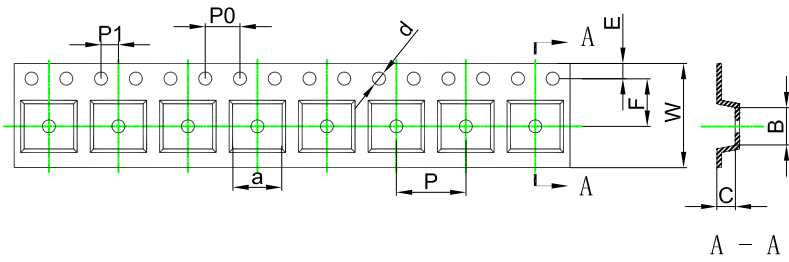
- Note:
1. Controlling dimension: in millimeters.
 2. General tolerance: $\pm 0.05\text{mm}$.
 3. The pad layout is for reference purposes only.

NOTICE

JCET reserve the right to make modifications, enhancements, improvements, corrections or other changes without further notice to any product herein. JCET does not assume any liability arising out of the application or use of any product described herein.

SOP8 Tape and Reel

SOP8 Embossed Carrier Tape



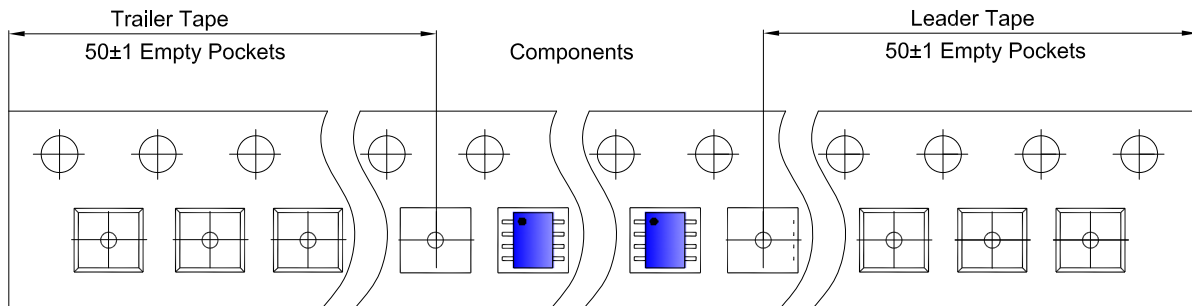
Packaging Description:

SOP8 parts are shipped in tape. The carrier tape is made from a dissipative (carbon filled) polycarbonate resin. The cover tape is a multilayer film (Heat Activated Adhesive in nature) primarily composed of polyester film, adhesive layer, sealant, and anti-static sprayed agent. These reeled parts in standard option are shipped with 2,500 units per 13" or 33cm diameter reel. The reels are clear in color and is made of polystyrene plastic (anti-static coated).

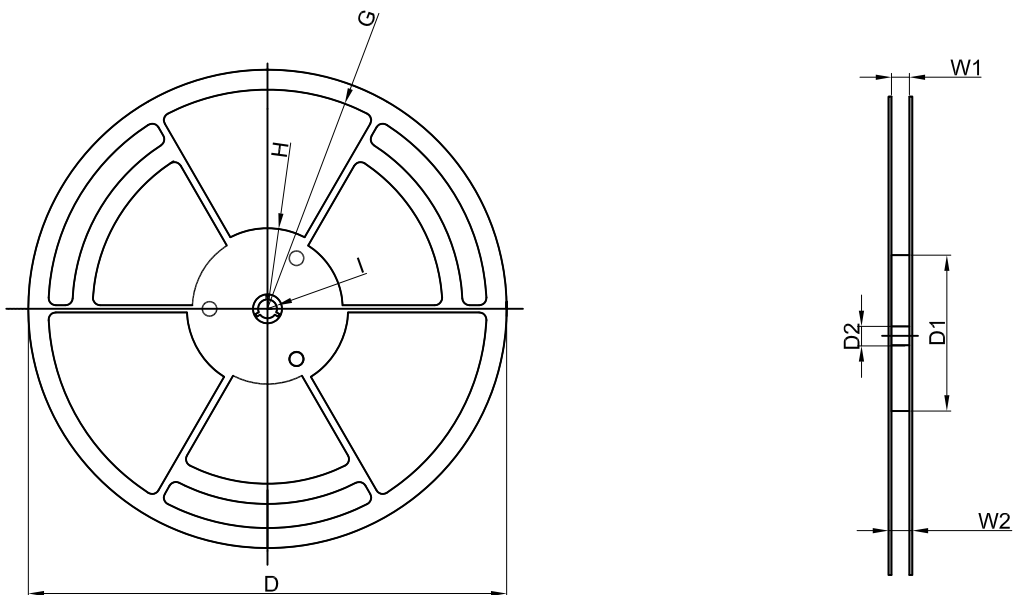
ALL DIM IN mm

Dimensions are in millimeter										
Pkg type	a	B	C	d	E	F	P0	P	P1	W
SOP8	6.40	5.40	2.10	Ø1.50	1.75	5.50	4.00	8.00	2.00	12.00

SOP8 Tape Leader and Trailer



SOP8 Reel



Dimensions are in millimeter								
Reel Option	D	D1	D2	G	H	I	W1	W2
13" Dia	Ø330.00	100.00	13.00	R151.00	R56.00	R6.50	12.40	17.60

REEL	Reel Size	Box	Box Size(mm)	Carton	Carton Size(mm)	G.W.(kg)
4,000 pcs	13 inch	8,000 pcs	360×360×65	64,000 pcs	565×380×390	