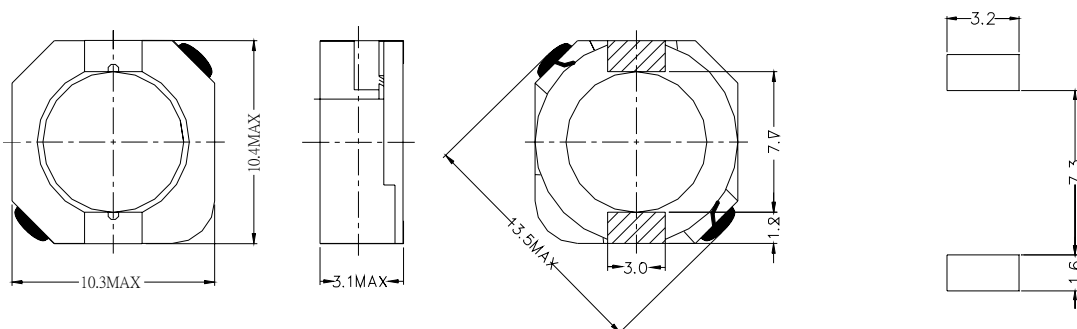


型名: CKRH103R

## 1. 尺寸(毫米)



## 2. 技术参数

NO.	品名	电感( $\mu$ H)	电阻 (m $\Omega$ ) (MAX)	额定电流 (A)
1	CKRH103R-0R8	0.8	6.0	11.08
2	CKRH103R-1R5	1.5	11.2	8.00
3	CKRH103R-2R2	2.2	17.2	6.66
4	CKRH103R-3R3	3.3	21	5.58
5	CKRH103R-4R7	4.7	32	4.61
6	CKRH103R-6R8	6.8	36	3.85
7	CKRH103R-8R2	8.2	52	3.51
8	CKRH103R-100	10	60	3.16
9	CKRH103R-150	15	92	2.58
10	CKRH103R-220	22	145	2.15
11	CKRH103R-330	33	202	1.70
12	CKRH103R-470	47	298	1.42
13	CKRH103R-560	56	328	1.34
14	CKRH103R-680	68	430	1.21
15	CKRH103R-820	82	497	1.10
16	CKRH103R-101	100	685	1.02
17	CKRH103R-121	120	755	0.88
18	CKRH103R-151	150	872	0.80

无铅

测定频率 100kHz

电感公差范围 ( $\pm 30\%$ )

额定电流: 指电感值减小到原值 65%时的电流.

