

# CL - 207

The CL - 207 is a high - power GaAlAs IRED mounted in durable, hermetically sealed TO - 18 metal can package, providing years of reliable performance even under demanding conditions such as use outdoors.

**FEATURES**

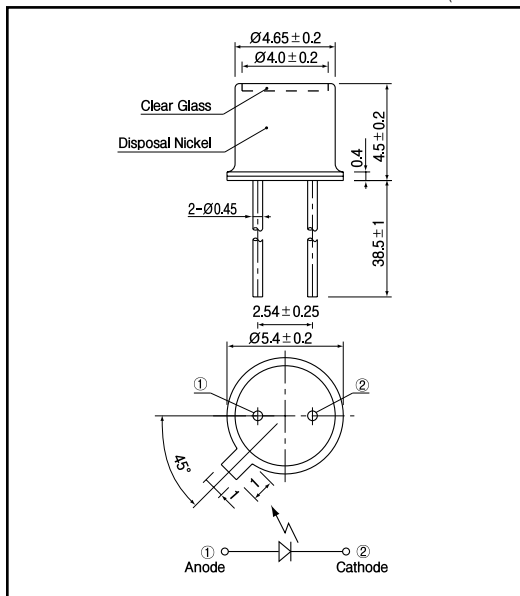
- High output power
- High reliability

**APPLICATIONS**

- Optical switches
- Transportation sensors

**DIMENSIONS**

(Unit : mm)



**MAXIMUM RATINGS**

(Ta=25 )

Item	Symbol	Rating	Unit
Reverse voltage	V <sub>R</sub>	5	V
Forward current	I <sub>F</sub>	100	mA
Power dissipation	P <sub>D</sub>	150	mW
Pulse forward current *1	I <sub>FP</sub>	1	A
Operating temp.	T <sub>opr.</sub>	- 30 + 100	
Storage temp.	T <sub>stg.</sub>	- 30 + 100	
Soldering temp. *2	T <sub>sol.</sub>	240	

\*1. pulse width : t<sub>w</sub> 100 μsec, period : T=10msec.  
 \*2. For MAX.5 seconds at the position of 2 mm from the package

**ELECTRO-OPTICAL CHARACTERISTICS**

(Ta=25 )

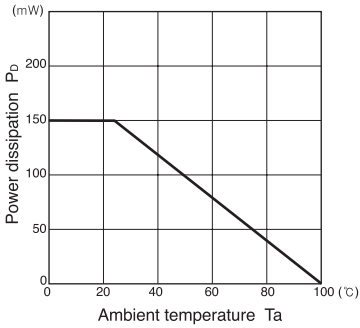
Item	Symbol	Conditions	Min.	Typ.	Max.	Unit.
Forward voltage	V <sub>F</sub>	I <sub>F</sub> =20mA		1.3	1.6	V
Reverse current	I <sub>R</sub>	V <sub>R</sub> =5V			10	μA
Peak emission wavelength *3	λ <sub>p</sub>	I <sub>F</sub> =20mA		880		nm
Spectral bandwidth		I <sub>F</sub> =20mA		80		nm
Radiant intensity	P <sub>O</sub>	I <sub>F</sub> =20mA		56		mV
Half angle				± 35		deg.

\*3. Measured by tester of KODENSHI CORP.

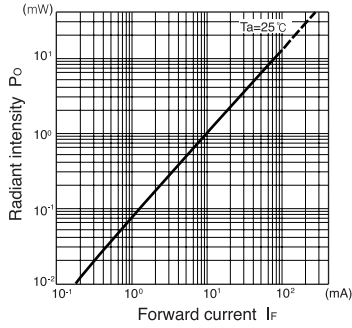
**Infrared Emitting Diodes(GaAlAs)**

**CL - 207**

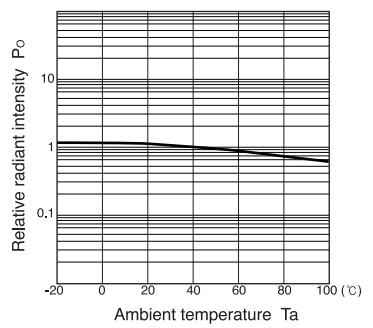
**Power dissipation Vs. Ambient temperature**



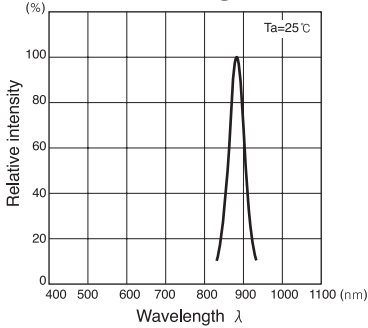
**Radiant intensity Vs. Forward current**



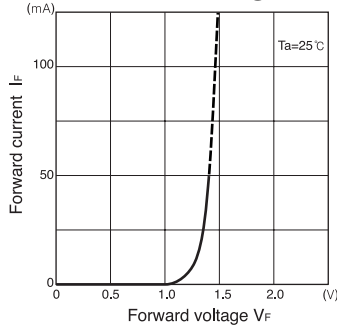
**Relative radiant intensity Vs. Ambient temperature**



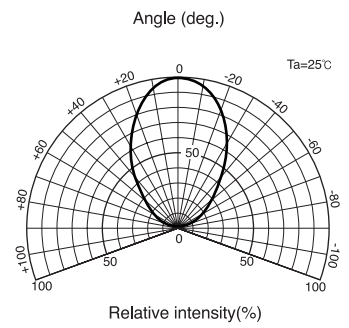
**Relative intensity Vs. Wavelength**



**Forward current Vs. Forward voltage**



**Radiant Pattern**



**Relative radiant intensity Vs. Distance**

