



Chunghwa Picture Tubes, Ltd.

Technical Specification

CPT TFT-LCD
CLAA 260WU09M (tentative)

APPROVED BY	CHECKED BY	PREPARED BY

Prepared by : Design General Division

CHUNGHWA PICTUER TUBES, LTD.

No. 1, Huaying Rd., Sanho Tsun, Lungtan Shiang, Taoyuan, Taiwan, 325, R.O.C.
TEL: +886-3-4805678 FAX: +886-3-4800589

Doc. No:	CLAA260WU09M/tentative	Issue Date:	2008/12/03
----------	-------------------------------	-------------	------------

CHUNGHWA PICTUER TUBES, LTD.

TECHNICAL SPECIFICATION

Doc. No : _____

Version : _____

Issue Date : 2008/12/03

Title : CLAA260WU09M Technical Specification**Table Of Content**

NO	Table of Content	Note
1	OVERVIEW	4
2	ABSOLUTE MAXIMUM RATINGS	5
3	ELECTRICAL CHARACTERISTICS	6
4	INTERFACE PIN CONNECTION	11
5	INTERFACE TIMING	15
6	BLOCK DIAGRAM	21
7	MECHANICAL SPECIFICATION	22
8	OPTICAL CHARACTERISTICS	24
9	RELIABILITY TEST CONDITIONS	27
10	PACKING SPECIFICATION	29
11	DESIGNATION OF LOT MARK	31
12	HANDLING PRECAUTIONS FOR TFT-LCD MODULE	34

CHUNGHWA PICTUER TUBES, LTD.

TECHNICAL SPECIFICATION

Doc. No : _____

Version : _____

Issue Date : 2008/12/03

Title : CLAA260WU09M Technical Specification**1. OVERVIEW**

CLAA260WU09M is 25.5" color TFT-LCD (Thin Film Transistor Liquid Crystal Display) module composed of LCD panel, driver ICs, control circuit and backlight. By applying 8 bit digital data (6 bit +Hi-FRC), 1920x1200, 16.7M-color images are displayed on the 25.5" diagonal screen. Input power voltage is 5.0V for LCD driving.. General specifications are summarized in the following table:

ITEM	SPECIFICATION
Display Area(mm)	550.08(H)x343.8(V)
Number of Pixels	1920(H)x1200(V)
Pixel Pitch(mm)	0.2865(H)x0.2865(V)
Color Pixel Arrangement	RGB vertical stripe
Display Mode	normally white, TN
Number of Colors	16.7M (6 Bit +Hi-FRC)
Brightness(cd/m ²)	400 cd/m ² (Typ.)(Center point, Lamp current=6 mA)
Viewing Angle	170 / 160 (Typ.)
Surface Treatment	Anti-glare
Power consumption(W)	72.5 (Typ.)
Module Size(mm)	582(W)x375.6(H)x41.5(D)(max)
Module Weight(g)	3700(typ)
Backlight Unit	CCFL, 6 tubes

CHUNGHWA PICTUER TUBES, LTD.

TECHNICAL SPECIFICATION

Doc. No : _____

Version : _____

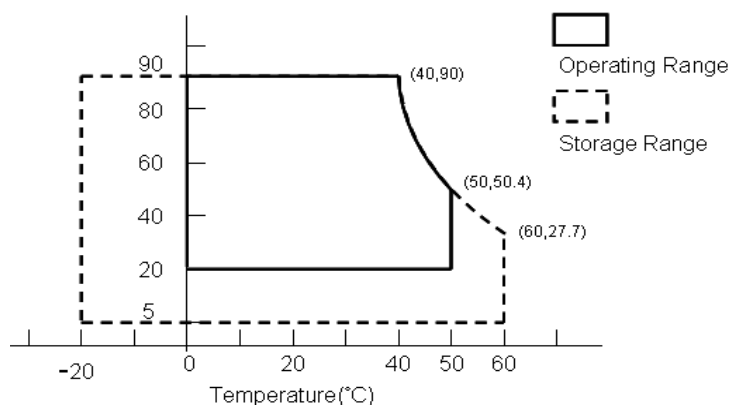
Issue Date : 2008/12/03

Title : CLAA260WU09M Technical Specification**2. ABSOLUTE MAXIMUM RATINGS**

ITEM	SYMBOL	MIN.	MAX.	UNIT	REMARK	
Power Supply Voltage for LCD	VCC	0	6	V		
Lamp Voltage	Harrison	VL	1760	1940	Vrms	
	Delta	VL	1540	1900	Vrms	
Lamp Current	Harrison	ILO	3	8	mArms	*4). 7)
	Delta	ILO	3	8	mArms	
Lamp Frequency	FL	40	70	kHz		
static electricity	VESDt	-200	200	V	*5)	
	VESDc	-8000	8000	V		
Operation Temperature	Top	0	50	°C	*1). 2). 3). 6)	
Storage Temperature	Tstg	-20	60	°C	*1). 2). 3)	
Delayed Discharge Time	TD	--	1	Sec	*8)	

[Note]

- The relative temperature and humidity range are as below sketch, 90%RHMax.($T_a \leq 40^\circ\text{C}$).
- The maximum wet bulb temperature $\leq 39^\circ\text{C}$ ($T_a > 40^\circ\text{C}$) and without dewing.
- If you use the product in a environment which over the definition of temperature and humidity too long to effect the result of eye-aching.
- The life time of the lamp is related to the current of the lamp, so please according to the description of the "(b) backlight" on page 7.
- Test Condition: IEC 1000-4-2
VESDt: Contact discharge to input connector; VESDc: Contact discharge to module
- If you operate the product in normal temperature range, the center surface of panel should be under 60°C .
- When lamp current is out of the absolute maximum range, the life will fall rapidly or shown unusual sign.
IL min 2mA only for test only, but we can't guarantee the lifetime and performance.
- Delay lighting testing needs the volt above start voltage Vrms. Before the procedure tube needs typical lighting for 1 minute and stay in the temperature $25 \pm 2^\circ\text{C}$ for 24 hours and then testing in the same condition in dark room.



CHUNGHWA PICTUER TUBES, LTD.

TECHNICAL SPECIFICATION

Doc. No : _____

Version : _____

Issue Date : 2008/12/03

Title : CLAA260WU09M Technical Specification**3. ELECTRICAL CHARACTERISTICS****(1).TFT-LCD**

Ta=25°C

ITEM	SYMBOL	MIN	TYP	MAX	UNIT	Remark	
Power Supply Voltage for LCD	Vcc	4.5	5.0	5.5	V	*1)	
Power Supply Current for LCD	Icc	-	1500	2600	mA	*2)	
Permissive Input Ripple Voltage	VRP	-	-	100	mVp-p	Vcc=5.0V	
Differential impedance	Zm	90	100	110	Ω		
Logic input voltage LVDS:IN+ , IN-	Common Mode Voltag	VCM	1.125	1.25	1.375	V	
	Differential Input Voltage	VID	250	350	450	mV	
	Threshold Voltage(High)	VTH	-	-	100	mV	*3)
	Threshold Voltage(Low)	VTL	-100	-	-	mV	
LCD Inrush Current	Inrush			3	A	*4)	
Power consumption	P		7.5	13	W	*2)	

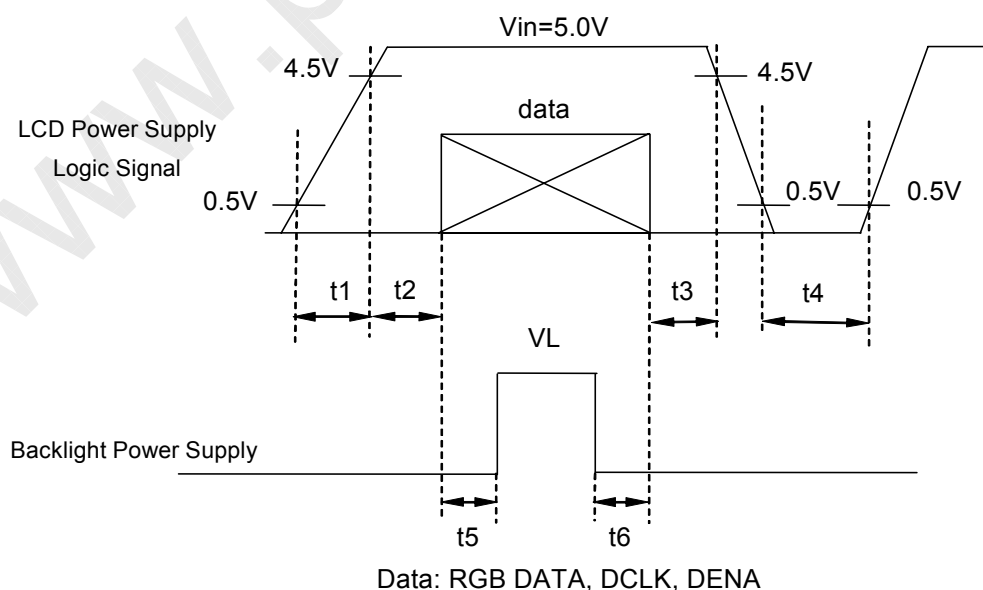
[Note]

1).VCC-turn-on conditions:

$$0.5\text{ms} \leq t1 \leq 10\text{ms} \quad 1 \text{ sec} \leq t4$$

$$0 < t2 \leq 20\text{ms} \quad 200\text{ms} \leq t5$$

$$0 < t3 \leq 50\text{ms} \quad 200\text{ms} \leq t6$$



CHUNGHWA PICTUER TUBES, LTD.

TECHNICAL SPECIFICATION

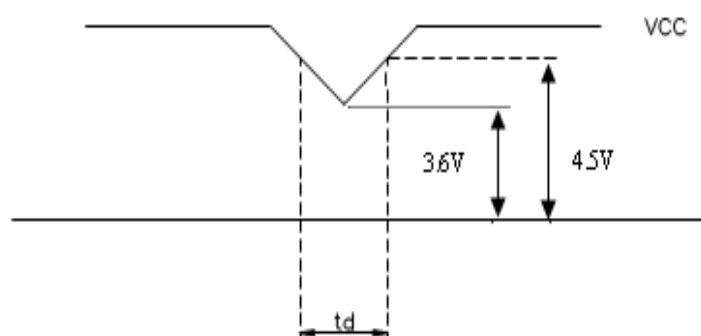
Doc. No : _____

Version : _____

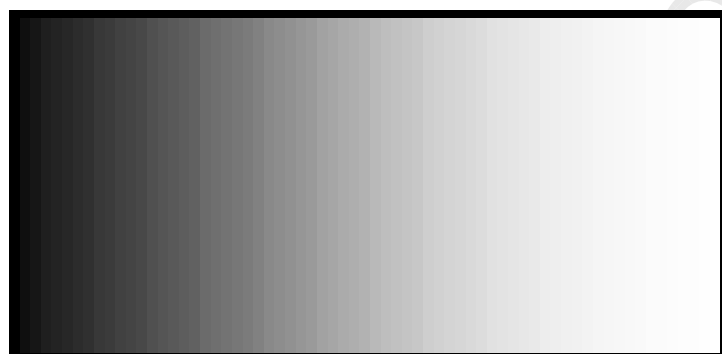
Issue Date : 2008/12/03

Title : CLAA260WU09M Technical Specification

VCC-dip conditions:

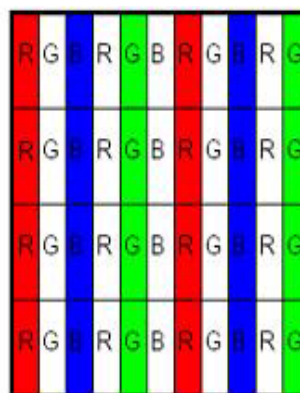
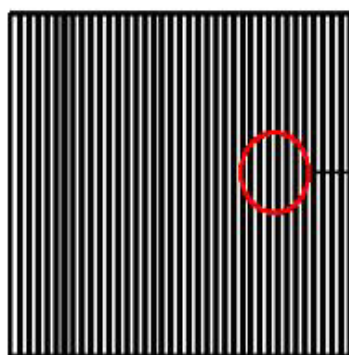
(1) When $3.6V \leq V_{cc} \text{ (min)} < 4.5V$: $t_d \leq 10 \text{ ms}$ 

2). Circuit condition (Typ.)

 $V_{CC}=5.0 \text{ V}$, $f_V=60 \text{ Hz}$ $f_H=74.1 \text{ kHz}$, $f_{CLK}=77 \text{ MHz}$ 

256-Gray :

Circuit condition (MAX.)

 $V_{CC}=5.0 \text{ V}$, $f_V=60 \text{ Hz}$ $f_H=74.1 \text{ kHz}$, $f_{CLK}=77 \text{ MHz}$ 

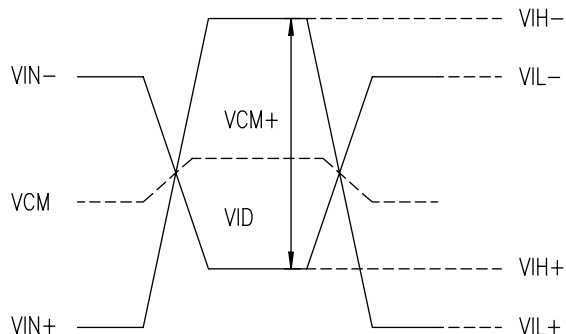
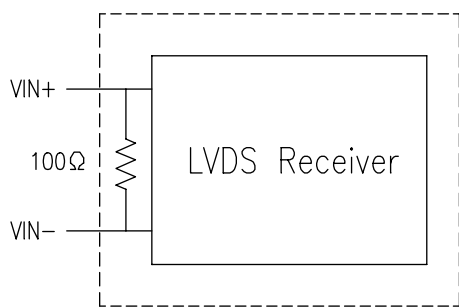
CHUNGHWA PICTUER TUBES, LTD.

TECHNICAL SPECIFICATION

Doc. No : _____
 Version : _____
 Issue Date : 2008/12/03

Title : CLAA260WU09M Technical Specification

3).LVDS Signal definition:



$$VID = VIN_+ - VIN_- ,$$

$$\Delta VCM = | VCM_+ - VCM_- | ,$$

$$\Delta VID = | VID_+ - VID_- | ,$$

$$VID_+ = | VIH_+ - VIH_- | ,$$

$$VID_- = | VIL_+ - VIL_- | ,$$

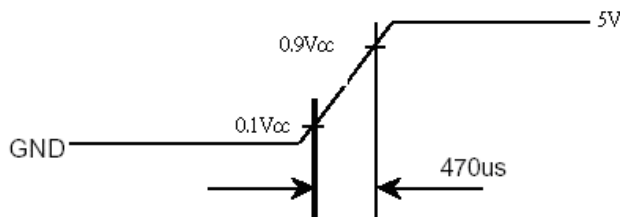
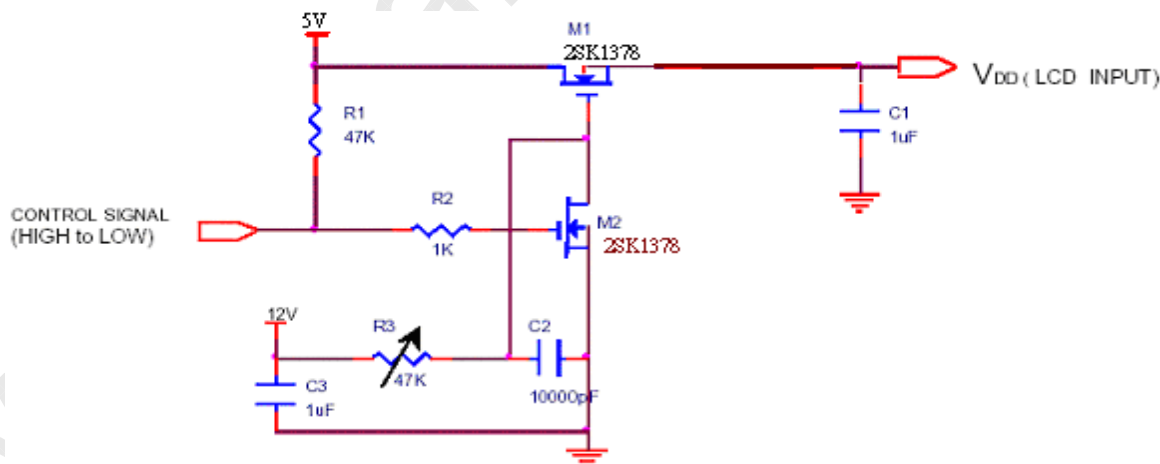
$$VCM = (VIN_+ + VIN_-) / 2 ,$$

$$VCM_+ = (VIH_+ + VIH_-) / 2 ,$$

$$VCM_- = (VIL_+ + VIL_-) / 2 ,$$

VIN+ = Positive differential DATA & CLK Input
 VIN- = Negative differential DATA & CLK Input

4).Irush Measurement Condition



CHUNGHWA PICTUER TUBES, LTD.

TECHNICAL SPECIFICATION

Doc. No : _____

Version : _____

Issue Date : 2008/12/03

Title : CLAA260WU09M Technical Specification**(2).Backlight**

1. Electrical specification

ITEM		SYMBOL	MIN	TYP	MAX	UNIT	REMARK
B/L Voltage	Harison	VL	1701	1890	2079	Vrms	IL=6.0mA Ta=25°C
	Delta	VL	1620	1800	1980	Vrms	
B/L Current		IL	5.5	6.0	6.5	mArms	*1) Ta=25°C
B/L operating current		ILO	3	6.0	8	mArms	*1) Ta=25°C
B/L power consumption		WL	58	65	72	W	IL=6.0mA Ta=25°C
Inverter Frequency		FI	62	65	68	kHz	*2) Ta=25°C
Starting Lamp Voltage	Harison	VS	—	—	2380	Vrms	Ta=0°C
			—	—	2860	Vrms	Ta=25°C
	Delta	VS	—	—	3000	Vrms	Ta=0°C
			—	—	3500	Vrms	Ta=25°C

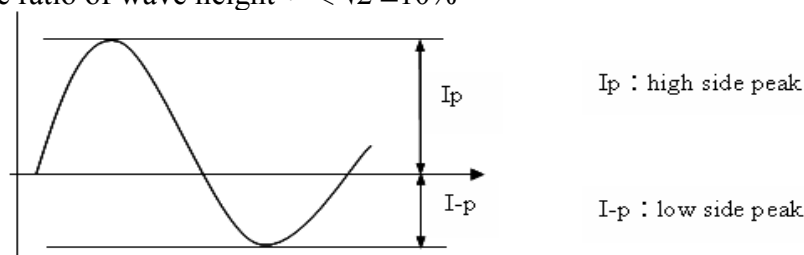
2. Lamp life time

ITEM		ILO at 3.0 mA	ILO at 6.0 mA	ILO at 8.0 mA	UNIT	REMARK
Lamp life Time	Harison	Min. 50,000	Min. 50,000	Min. 30,000	hr	Continuous Operation *3)
	Delta	Min. 60,000	Min. 50,000	Min. 35,000		
Rated time (turn on/off)		—	Min.100,000	—	time	*4)

[Note] Measuring inverter Type : Logah (力銘) MIT68013.50 、 Ampower (震永) T39I012.00

If the waveform of light up-driving is asymmetric, the distribution of mercury inside the lamp tube will become unequally or will deplete the Arm gas in it. Then it may cause the abnormal phenomenon of lighting-up. Therefore, designers have to try their best to for fill the conditions under the inverter designing-stage as below:

- The degrees of unbalance : < 10%
- The ratio of wave height : < $\sqrt{2} \pm 10\%$



A : The degrees of unbalance = $|I_p - I-p| / I_{rms} \times 100 (\%)$

B : The ratio of wave height = I_p (or $I-p$) / I_{rms}

CHUNGHWA PICTUER TUBES, LTD.

TECHNICAL SPECIFICATION

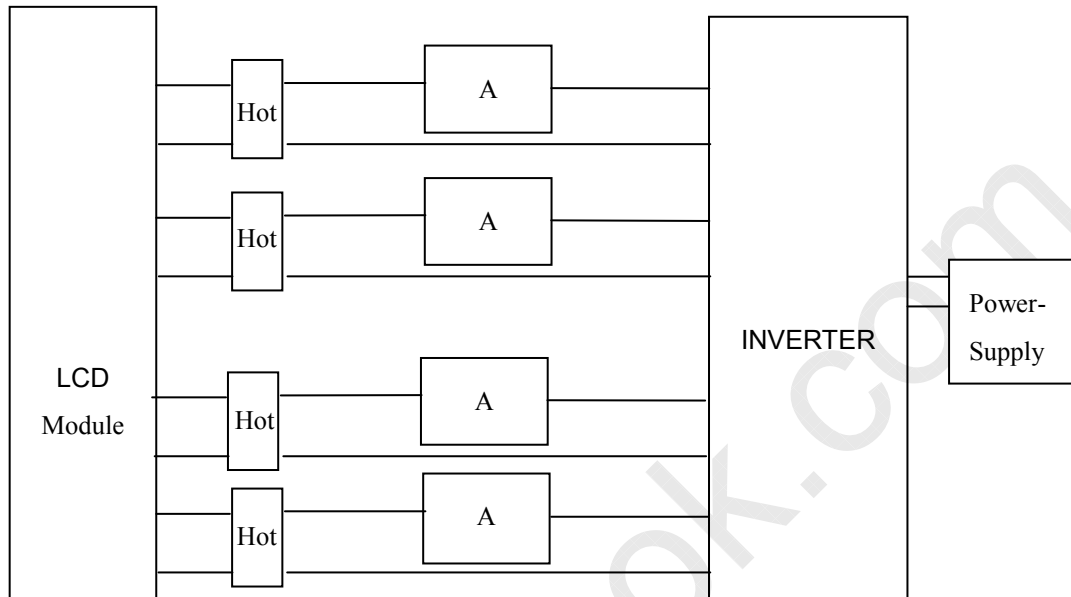
Doc. No : _____

Version : _____

Issue Date : 2008/12/03

Title : CLAA260WU09M Technical Specification

1) Lamp Current measurement method (The current meter is inserted in cold line)



- 2) a. Frequency in this range can mala the characterisitcs of electric and optics maintain in +/- 10% except hue.
 - b. If the lamp frequency can be maintain in 62~68KHz, the better charactristics of the electrical and the optical can be presented.
 - c. If the operating frequency is 40~70 KHz, the life time and the reliability of the lamp will not be affect.
 - d. Lamp frequency of inverter may produce interference with horizontal synchronous frequency, and this may cause horizontal beat on the display. Therefore, please adjust lamp frequency, and keep inverter as far from module as possible or use electronic shielding between inverter and module to avoid the interference.
- 3) Definition of the lamp life time : Luminance (L) under 50% of specification starting lamp voltage or starting lamp voltage is more than 130% of the initial value
- 4) The condition of Turn-on and Turn-off operation is as below:
 - a. Lamp current is 6.0mA
 - b. Frequency is 10 sec.(on)/10 sec.(off)
 - c. Repeat it for 10 thousand times
 - d. The result of eye-etching of the lamp hue is normal, and can switch the lamp.

It should not have motion fail when starting lamp voltage is lower than 130% of the initial value.
- 5) It is necessary to consider the maximal value when design inverter , in order to assure lighting.
- 6) The equation of power consumption $WL=IL \times VL \times 6$. ($IL=6.0mA$, $Ta=25^{\circ}C$)

CHUNGHWA PICTUER TUBES, LTD.

TECHNICAL SPECIFICATION

Doc. No : _____

Version : _____

Issue Date : 2008/12/03

Title : CLAA260WU09M Technical Specification**4. INTERFACE PIN CONNECTION**

(1) CN1 (Data Signal and Power Supply)

Used connector: MDF76GW-30S-1H(58) (Vendor : Hirose) or compatible.

PIN NO.	SYMOBL	FUNCTION
1	RXO0-	minus signal of odd channel 0(LVDS)
2	RXO0+	plus signal of odd channel 0(LVDS)
3	RXO1-	minus signal of odd channel 1(LVDS)
4	RXO1+	plus signal of odd channel 1(LVDS)
5	RXO2-	minus signal of odd channel 2(LVDS)
6	RXO2+	plus signal of odd channel 2(LVDS)
7	GND	ground
8	RXOC-	minus signal of odd clock channel (LVDS)
9	RXOC+	plus signal of odd clock channel (LVDS)
10	RXO3-	minus signal of odd channel 3(LVDS)
11	RXO3+	plus signal of odd channel 3(LVDS)
12	RXE0-	minus signal of even channel 0(LVDS)
13	RXE0+	plus signal of even channel 0(LVDS)
14	GND	ground
15	RXE1-	minus signal of even channel 1(LVDS)
16	RXE1+	plus signal of even channel 1(LVDS)
17	GND	ground
18	RXE2-	minus signal of even channel 2(LVDS)
19	RXE2+	plus signal of even channel 2(LVDS)
20	RXEC-	minus signal of even clock channel (LVDS)
21	RXEC+	plus signal of even clock channel (LVDS)
22	RXE3-	minus signal of even channel 3(LVDS)
23	RXE3+	plus signal of even channel 3(LVDS)
24	GND	ground
25	NC	NC
26	NC	NC
27	NC	NC
28	VCC	Power supply input voltage(5.0 V)
29	VCC	Power supply input voltage(5.0 V)
30	VCC	Power supply input voltage(5.0 V)

CHUNGHWA PICTUER TUBES, LTD.

TECHNICAL SPECIFICATION

Doc. No : _____

Version : _____

Issue Date : 2008/12/03

Title : CLAA260WU09M Technical Specification

(2) CN2, 3, 4, 5, 6, 7, 8, 9, 10, 11, 12, 13, 14 (BACKLIGHT)

Backlight-side connector (CN9~CN14) : CP0404SL000 (Cvilux)

Inverter-side connector (CN3~CN8): CP042CP1ML0-LF (Cvilux)

Inverter connector (CN2) : 20022WR-14AML(YEONHO)

Pin	Symbol	Description
1	VBL	supply voltage 24V
2	VBL	supply voltage 24V
3	VBL	supply voltage 24V
4	VBL	supply voltage 24V
5	VBL	supply voltage 24V
6	GND	Ground
7	GND	Ground
8	GND	Ground
9	GND	Ground
10	GND	Ground
11	ADIM	Analog Voltage Dimming control 0V(80%=5mA) NC or 1.65V(100%=6mA) 3.3V(120%=7mA)
12	ON/OFF	ON/OFF control (2V~5V or NC is ON) (0V~0.8V is OFF)
13	PDIM	PWM dimming control a. Analog Input 0V(Min)~3.3V(Max) NC(Max) b. Digital Input 100Hz~350Hz
14	Vsel	selection for PWM control method a. 2~3.3V High or NC : internal PWM Dimming Control Voltage to pin13 b. 0~0.8V : External PWM Dimming Control Frequency to pin13

CHUNGHWA PICTUER TUBES, LTD.

TECHNICAL SPECIFICATION

Doc. No : _____

Version : _____

Issue Date : 2008/12/03

Title : CLAA260WU09M Technical Specification

Inverter Electrical specification

No	Parameter	Symbol	Condition	Min	Typ	Max	Unit	Remark
1	Input Voltage	Vin	—	21.6	24	26.4	V	
2	Input current	Iin	Vin=24V Adim(NC)=1.65V Pdim=3.3V Vsel=3.3V	2.4	2.7	3	A	
3			Vin=24V Adim=3.3V Pdim=3.3V Vsel=3.3V	2.9	3.2	3.5	A	
4	Input power	Pin	Vin=24V Adim(NC)=1.65V Pdim=3.3V Vsel=3.3V	58	65	72	W	
			Vin=24V Adim=3.3V Pdim=3.3V Vsel=3.3V	70	77	84	W	
5	Backlight ON/OFF control	ON	Vin=24V Enable the inverter (or NC)	2	—	5	V	
		OFF	Vin=24V Disable the inverter	0	—	0.8	V	
6	Continuous Mode Dimming Control Voltage	Adim	Vin=24V	0	—	3.3	V	
7	internal PWM Dimming Control Voltage	Pdim	Vin=24V	0	—	3.3	V	
8	Burst Duty Cycle	—	Vin=24V min=20% max=100%	20	—	100	%	
9	internal PWM Frequency	Freq	Vin=24V Adim(NC)=1.65V Pdim=0V Vsel=3.3V	170	180	190	Hz	
10	Externa PWM Dimming Control Frequency	FPWM	Vin=24V	100	180	350	Hz	
11	PWM select Voltage	Pdim	(High or NC) internal PWM Dimming Control	2	—	3.3	V	
		Pdim	(Low) Externa PWM Dimming Control	0	—	0.8	V	

CHUNGHWA PICTUER TUBES, LTD.

TECHNICAL SPECIFICATION

Doc. No : _____

Version : _____

Issue Date : 2008/12/03

Title : CLAA260WU09M Technical Specification

12	Output current	Iout	Vin=24V Adim=3.3V Pdim=3.3V Vsel=3.3V	6.5	7	7.5	mArms
		Iout	Vin=24V Adim(NC)=1.65V Pdim=3.3V Vsel=3.3V	5.5	6	6.5	mArms
		Iout	Vin=24V Adim=0V Pdim=3.3V Vsel=3.3V	4.5	5	5.5	mArms
		Iout	Vin=24V Adim(NC)=1.65V Pdim=0V Vsel=3.3V	2	2.5	3	mArms
13	Output voltage	Vout	Vin=24V Adim(NC)=1.65V Pdim=3.3V Vsel=3.3V	—	900	—	Vrms
14	Frequency	Freq	Vin=24V Adim(NC)=1.65V Pdim=3.3V Vsel=3.3V	62	65	68	KHz
15	Output Power	Pout	Vin=24V Adim(NC)=1.65V Pdim=3.3V Vsel=3.3V	—	6	—	W
	Each lamp						
16	Open Lamp	Vopen	No Load (0°C)	3600	—	—	Vrms
	voltage						
17	Efficiency	η	Vin=24V Adim(NC)=1.65V Pdim=3.3V Vsel=3.3V (Dummy load min efficiency =80%)	80	—	—	%
18	Efficiency	η	Vin=24V Adim(NC)=1.65V Pdim=3.3V Vsel=3.3V (260WU01 moudel min efficiency =78%)	78	—	—	%
20	Striking Time	Ts	Vin=24V	1	—	2	Sec

CHUNGHWA PICTUER TUBES, LTD.

TECHNICAL SPECIFICATION

Doc. No : _____

Version : _____

Issue Date : 2008/12/03

Title : CLAA260WU09M Technical Specification**5. INTERFACE TIMING**

(1) Timing Specifications

		ITEM	SYMBOL	MIN	TYP	MAX	UNIT
LCD Timing	DCLK	Frequency	f_{CLK}	72	77	83	MHz
		Period	t_{CLK}	12.05	12.98	13.88	ns
	DENA	Horizontal Active Time	t_{HA}	960	960	960	t_{CLK}
		Horizontal Blank Time	t_{HB}	70	80	115	t_{CLK}
		Horizontal Total Time	t_H	1030	1040	1075	t_{CLK}
		Vertical Active Time	t_{VA}	1200	1200	1200	t_H
		Vertical Blank Time	t_{VB}	25	35	45	t_H
		Vertical Total Time	t_V	1225	1235	1245	t_H
		Vertical Frame Rate	Fr	57	60	63	Hz

[Note]

- 1) DENA should always be positive polarity as shown in the timing specification.
- 2) CLK IN should appear during all blanking period,
- 3) Using LVDS IC

Receiver	Transmitter
DS90C384MTD(NS)	DS90C383MTD(NS)
SN75LVDS82(TI)	SN75LVDS83(TI)

4) Required signal assignment for flat link transmitter

Pin No.	Pin Name	Require Signal	Pin No.	Pin Name	Require Signal
1	VCC	Power Supply for TTL Input	29	GND	Ground pin for TTL
2	D5	TTL Input (R7)	30	D26	TTL Input(DE)
3	D6	TTL Input (R5)	31	TxCLKIN	TTL Level clock Input
4	D7	TTL Input (G0)	32	PWR DWN	Power Down Input
5	GND	Ground pin for TTL	33	PLL GND	Ground pin for PLL
6	D8	TTL Input (G1)	34	PLL VCC	Power Supply for PLL
7	D9	TTL Input (G2)	35	PLL GND	Ground pin for PLL
8	D10	TTL Input (G6)	36	LVDS GND	Ground pin for LVDS
9	VCC	Power Supply for TTL Input	37	TxOUT3+	Positive LVDS differential data output 3
10	D11	TTL Input (G7)	38	TxOUT3-	Negative LVDS differential data output 3
11	D12	TTL Input (G3)	39	TxCLKOUT+	Positive LVDS differential clock output
12	D13	TTL Input (G4)	40	TxCLKOUT-	Negative LVDS differential clock output
13	GND	Ground pin for TTL	41	TxOUT2+	Positive LDVS differential data output 2
14	D14	TTL Input (G5)	42	TxOUT2-	Negative LVDS differential data output 2
15	D15	TTL Input (B0)	43	LVDS GND	Ground pin for LVDS
16	D16	TTL Input (B6)	44	LVDS VCC	Power Supply for LVDS
17	VCC	Power Supply for TTL Input	45	TxOUT1+	Positive LVDS differential data output 1
18	D17	TTL Input (B7)	46	TxOUT1-	Negative LVDS differential data output 1
19	D18	TTL Input (B1)	47	TxOUT0+	Positive LVDS differential data output 0
20	D19	TTL Input (B2)	48	TxOUT0-	Negative LVDS differential data output 0
21	GND	Ground pin for TTL	49	LVDS GND	Ground pin for TTL

CHUNGHWA PICTUER TUBES, LTD.

TECHNICAL SPECIFICATION

Doc. No : _____

Version : _____

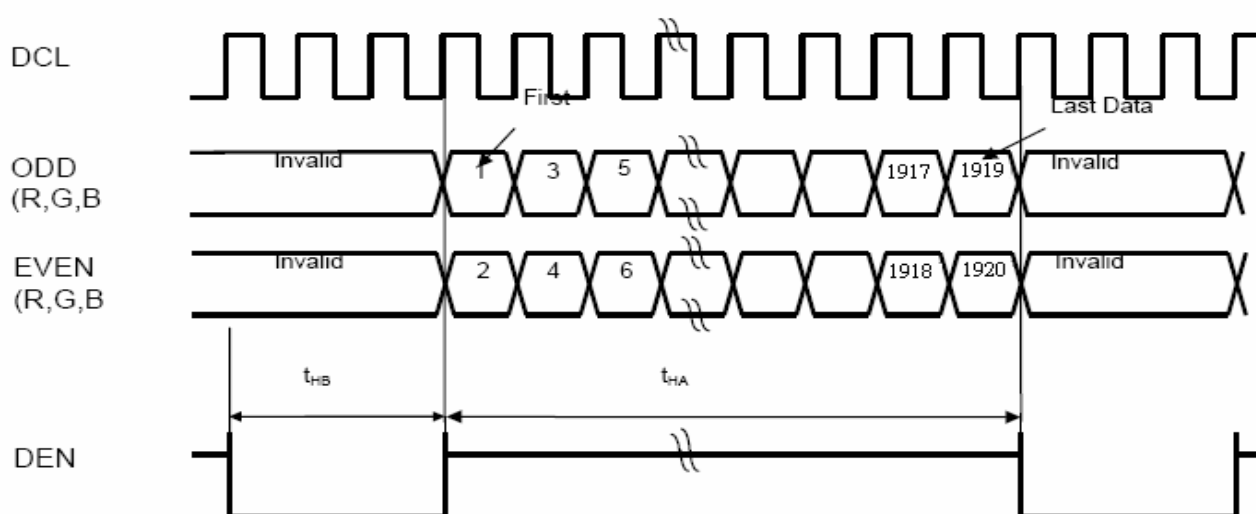
Issue Date : 2008/12/03

Title : CLAA260WU09M Technical Specification

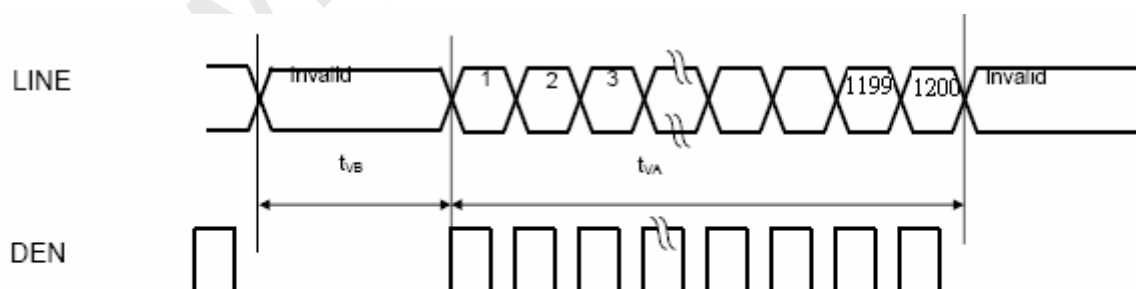
22	D20	TTL Input (B3)	50	D27	TTL Input (R6)
23	D21	TTL Input (B4)	51	D0	TTL Input (R0)
24	D22	TTL Input (B5)	52	D1	TTL Input (R1)
25	D23	TTL Input (LVDS)	53	GND	Ground pin for TTL
26	VCC	Power Supply for TTL Input	54	D2	TTL Input (R2)
27	D24	TTL Input (HSYNC)	55	D3	TTL Input (R3)
28	D25	TTL Input (VSYNC)	56	D4	TTL Input (R4)

(2) Timing Chart

a. Horizontal Timing



b. Vertical Timing



CHUNGHWA PICTUER TUBES, LTD.

TECHNICAL SPECIFICATION

Doc. No : _____

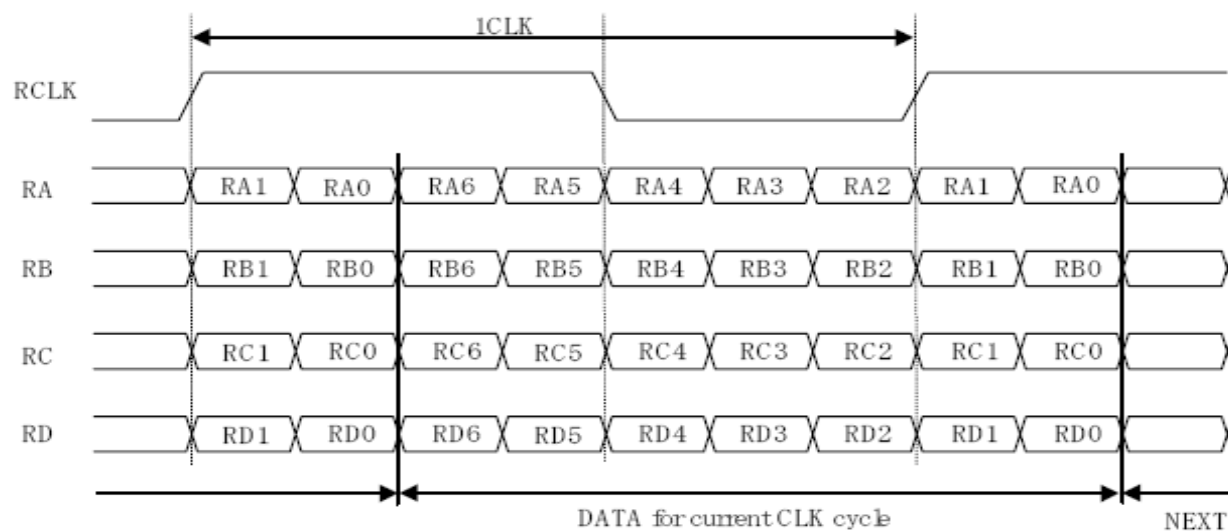
Version : _____

Issue Date : 2008/12/03

Title : CLAA260WU09M Technical Specification

(3) LVDS DATA

(a) Timing Chart



(b) Data mapping

Cell	Input Pin *)	Data(6bit + FRC)
RA0	TxlN0	RI0
RA1	TxlN1	RI1
RA2	TxlN2	RI2
RA3	TxlN3	RI3
RA4	TxlN4	RI4
RA5	TxlN6	RI5
RA6	TxlN7	GI0
RB0	TxlN8	GI1
RB1	TxlN9	GI2
RB2	TxlN12	GI3
RB3	TxlN13	GI4
RB4	TxlN14	GI5
RB5	TxlN15	BI0
RB6	TxlN18	BI1
RC0	TxlN19	BI2
RC1	TxlN20	BI3
RC2	TxlN21	BI4
RC3	TxlN22	BI5
RC4	TxlN24	RSVD
RC5	TxlN25	RSVD
RC6	TxlN26	DENA
RD0	TxlN27	RI6
RD1	TxlN5	RI7
RD2	TxlN10	GI6
RD3	TxlN11	GI7
RD4	TxlN16	BI6
RD5	TxlN17	BI7
RD6	TxlN23	(RSVD)
Ref-RCLK	TxCLKIN	DCLKI

*) : DS90C383MTD

CHUNGHWA PICTUER TUBES, LTD.

TECHNICAL SPECIFICATION

Doc. No : _____

Version : _____

Issue Date : 2008/12/03

Title : CLAA260WU09M Technical Specification

(4) Color Data Assignmen

COLOR	INPUT DATA	R DATA								G DATA								B DATA							
		R7 MSB	R6	R5	R4	R3	R2	R1	R0 LSB	G7 MSB	G6	G5	G4	G3	G2	G1	G0 LSB	B7 MSB	B6	B5	B4	B3	B2	B1	B0 LSB
BASIC COLOR	BLACK	0	0	0	0	0	0	0	0	0	0	0	0	0	0	0	0	0	0	0	0	0	0	0	0
	RED(255)	1	1	1	1	1	1	1	1	0	0	0	0	0	0	0	0	0	0	0	0	0	0	0	
	GREEN(255)	0	0	0	0	0	0	0	0	1	1	1	1	1	1	1	1	0	0	0	0	0	0	0	
	BLUE(255)	0	0	0	0	0	0	0	0	0	0	0	0	0	0	0	0	1	1	1	1	1	1	1	
	CYAN	0	0	0	0	0	0	0	0	1	1	1	1	1	1	1	1	1	1	1	1	1	1	1	
	MAGENTA	1	1	1	1	1	1	1	1	0	0	0	0	0	0	0	0	1	1	1	1	1	1	1	
	YELLOW	1	1	1	1	1	1	1	1	1	1	1	1	1	1	1	1	0	0	0	0	0	0	0	
	WHITE	1	1	1	1	1	1	1	1	1	1	1	1	1	1	1	1	1	1	1	1	1	1	1	
RED	RED(0)	0	0	0	0	0	0	0	0	0	0	0	0	0	0	0	0	0	0	0	0	0	0	0	
	RED(1)	0	0	0	0	0	0	0	1	0	0	0	0	0	0	0	0	0	0	0	0	0	0	0	
	RED(2)	0	0	0	0	0	0	1	0	0	0	0	0	0	0	0	0	0	0	0	0	0	0	0	
	RED(254)	1	1	1	1	1	1	1	0	0	0	0	0	0	0	0	0	0	0	0	0	0	0	0	
	RED(255)	1	1	1	1	1	1	1	1	0	0	0	0	0	0	0	0	0	0	0	0	0	0	0	
GREEN	GREEN(0)	0	0	0	0	0	0	0	0	0	0	0	0	0	0	0	0	0	0	0	0	0	0	0	
	GREEN(1)	0	0	0	0	0	0	0	0	0	0	0	0	0	0	0	1	0	0	0	0	0	0	0	
	GREEN(2)	0	0	0	0	0	0	0	0	0	0	0	0	0	0	1	0	0	0	0	0	0	0	0	
	GREEN(254)	0	0	0	0	0	0	0	0	1	1	1	1	1	1	1	0	0	0	0	0	0	0	0	
	GREEN(255)	0	0	0	0	0	0	0	0	1	1	1	1	1	1	1	1	0	0	0	0	0	0	0	
BLUE	BLUE(0)	0	0	0	0	0	0	0	0	0	0	0	0	0	0	0	0	0	0	0	0	0	0	0	
	BLUE(1)	0	0	0	0	0	0	0	0	0	0	0	0	0	0	0	0	0	0	0	0	0	0	1	
	BLUE(2)	0	0	0	0	0	0	0	0	0	0	0	0	0	0	0	0	0	0	0	0	0	0	1	
	BLUE(254)	0	0	0	0	0	0	0	0	0	0	0	0	0	0	0	0	1	1	1	1	1	1	0	
	BLUE(255)	0	0	0	0	0	0	0	0	0	0	0	0	0	0	0	0	1	1	1	1	1	1	1	

[Note]

- 1) Definition of gray scale: Color (n): n indicates gray scale level.
Higher n means brighter level.
- 2) Data: 1-High, 0-Low.
- 3) This assignment is applied to both odd and even data.

CHUNGHWA PICTUER TUBES, LTD.

TECHNICAL SPECIFICATION

Doc. No : _____

Version : _____

Issue Date : 2008/12/03

Title : CLAA260WU09M Technical Specification

(5) Color Data Assignment

D(1,1)	D(2,1)	--	D(X,1)	--	D(1919,1)	D(1920,1)
D(1,2)	D(2,2)	--	D(X,2)	--	D(1919,2)	D(1920,2)
		+	..	+		
D(1,Y)	D(2,Y)	--	D(X,Y)	--	D(1919,Y)	D(1920,Y)
		+	..	+		
D(1,1199)	D(2, 1199)	--	D(X, 1199)	--	D(1919,1199)	D(1920,1199)
D(1,1200)	D(2, 1200)	--	D(X, 1200)	--	D(1919,1200)	D(1920,1200)

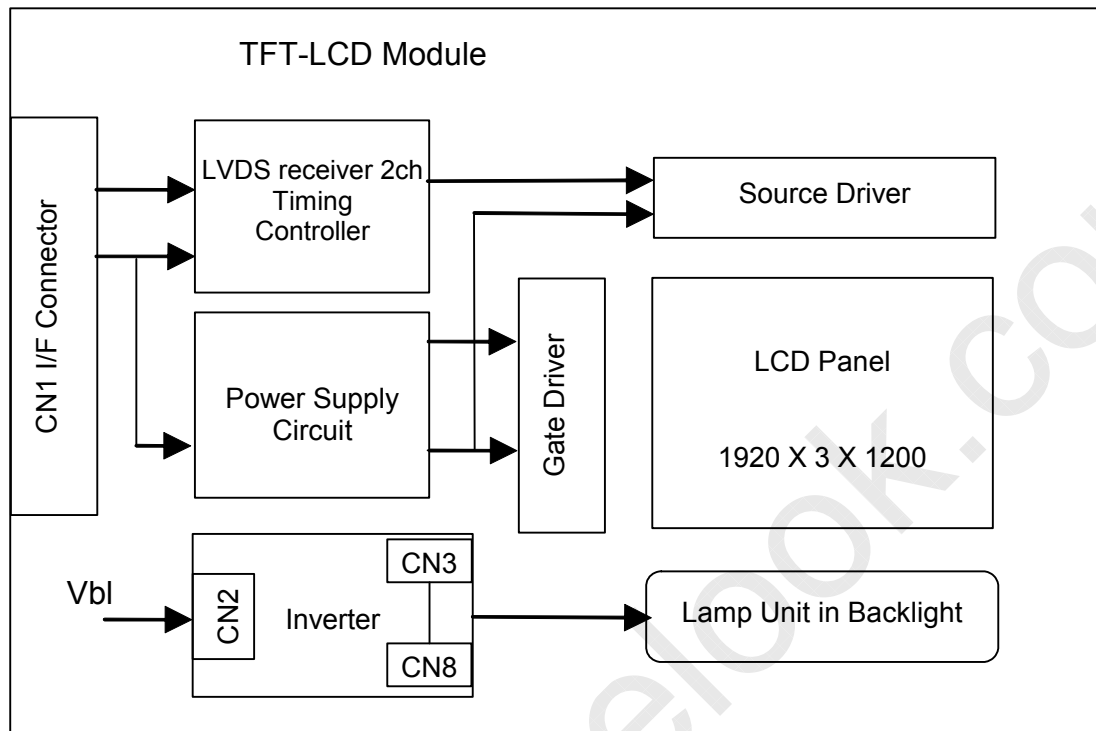
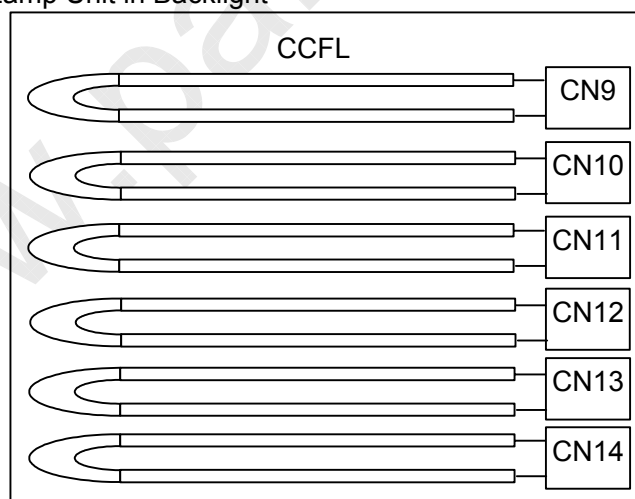
CHUNGHWA PICTUER TUBES, LTD.

TECHNICAL SPECIFICATION

Doc. No : _____

Version : _____

Issue Date : 2008/12/03

Title : CLAA260WU09M Technical Specification**6. BLOCK DIAGRAM****Lamp Unit in Backlight**

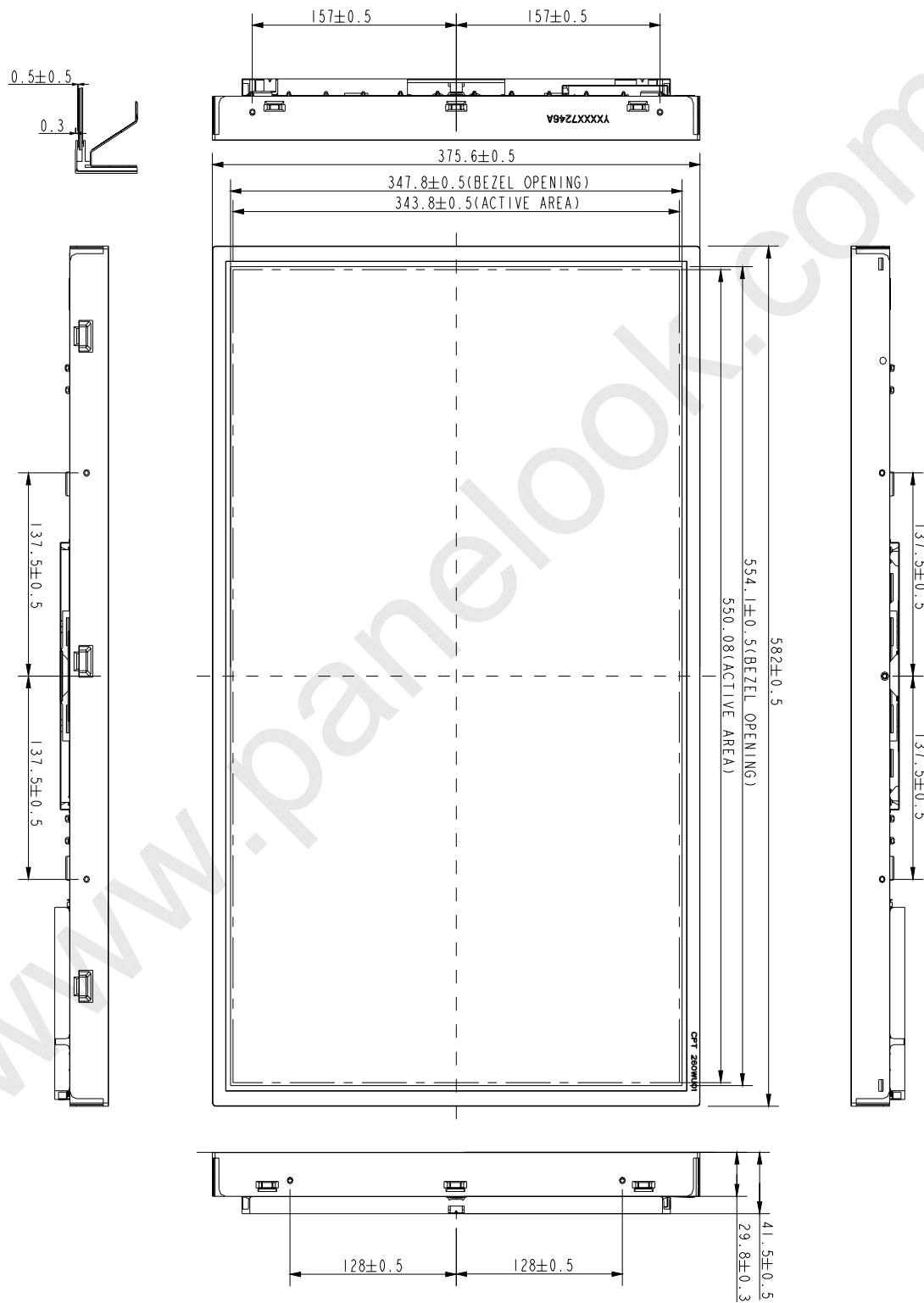
CHUNGHWA PICTUER TUBES, LTD.

TECHNICAL SPECIFICATION

Doc. No : _____

Version : _____

Issue Date : 2008/12/03

Title : CLAA260WU09M Technical Specification**7. MECHANICAL SPECIFICATION**(1) Front side (Tolerance is $\pm 0.5\text{mm}$ unless noted)

CHUNGHWA PICTUER TUBES, LTD.

TECHNICAL SPECIFICATION

Doc. No : _____

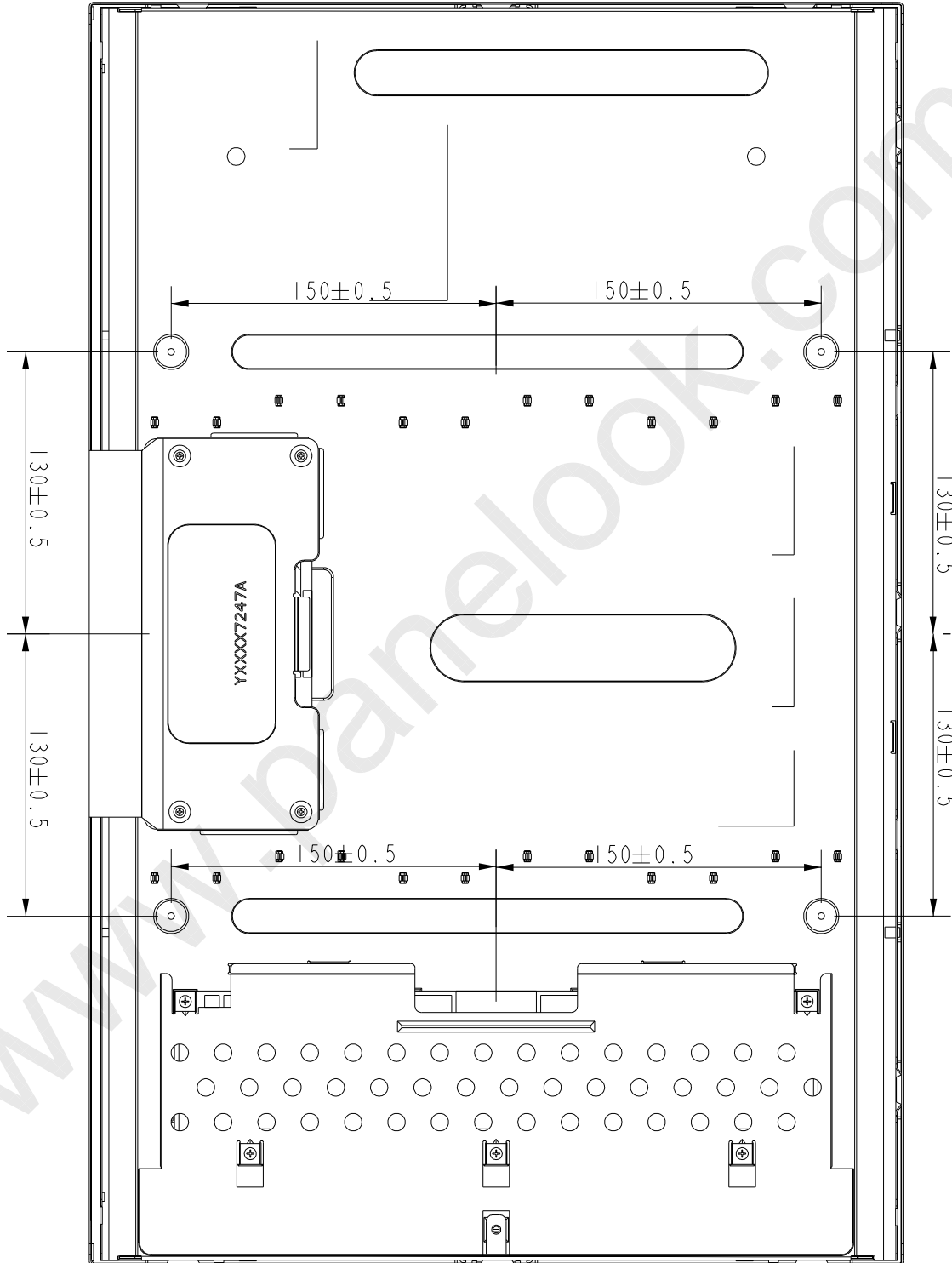
Version : _____

Issue Date : 2008/12/03

Title : CLAA260WU09M Technical Specification

(2) Rear side (Tolerance is ±0.5mm unless noted)

Unit: mm



CHUNGHWA PICTUER TUBES, LTD.

TECHNICAL SPECIFICATION

Doc. No : _____

Version : _____

Issue Date : 2008/12/03

Title : CLAA260WU09M Technical Specification**8. OPTICAL CHARACTERISTICS**

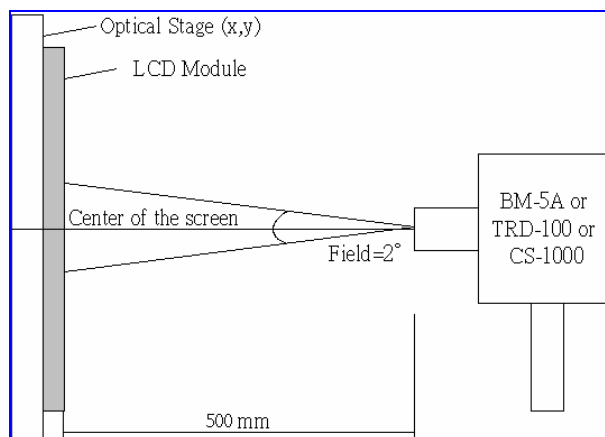
Ta=25°C , VCC=5.0V

ITEM	SYMBOL	CONDITION	min	typ	max	UNIT	REMARK	
Contrast Ratio	CR	$\theta = \psi = 0^\circ$	800	1000	--	--	*1)	
Luminance(CEN)	L	$\theta = \psi = 0^\circ$	350	400	--	cd/m ²	*2)	
9P Uniformity	ΔL	$\theta = \psi = 0^\circ$	-	75	--	%	*2)	
Response Time	Tr	$\theta = \psi = 0^\circ$	--	2	3	ms	*4)	
	Tf	$\theta = \psi = 0^\circ$	--	3	5	ms		
	T _{GtG_AVE}	$\theta = \psi = 0^\circ$	--	3	5	ms	*7)	
Crosstalk	CT	$\theta = \psi = 0^\circ$	0	--	1	%	*5)	
Viewing Angle	Horizontal	ψ	CR ≥ 10	-75~75	-85~85	--	°	*3)
	Vertical	θ		-65~75	-75~85	--	°	
Color Coordinates	White	X	$\theta = \psi = 0^\circ$	0.283	0.313	0.343	Color Coordinates	*2)
		Y		0.299	0.329	0.359		
	Red	X		(0.639)	(0.669)	(0.699)		
		Y		(0.289)	(0.319)	(0.349)		
Green	X	(0.181)	(0.211)	(0.241)				
	Y	(0.669)	(0.699)	(0.729)				
Blue	X	(0.111)	(0.141)	(0.171)				
	Y	(0.034)	(0.064)	(0.094)				
Gamut	CG	$\theta = \psi = 0^\circ$	98	100	--	%		

[Notes]

Setup of Measurement Equipment

The LCD module should be turn-on to a stable luminance level to be reached. The measurement should be executed after lighting Backlight for 20 minutes and in a dark room.



CHUNGHWA PICTUER TUBES, LTD.

TECHNICAL SPECIFICATION

Doc. No : _____

Version : _____

Issue Date : 2008/12/03

Title : CLAA260WU09M Technical Specification

All optical specification condition:

- (1) Equipment: BM-5A (TOPCON) under the dark room condition (2° view angle) after more than 30 minutes turning on the lamp.
- (2) Condition: IL=6.0 (each lamp) mA, Inverter: Logah (力銘) MIT68013.50、Ampower (震永) T39I012.00, Frequency=65 kHz.

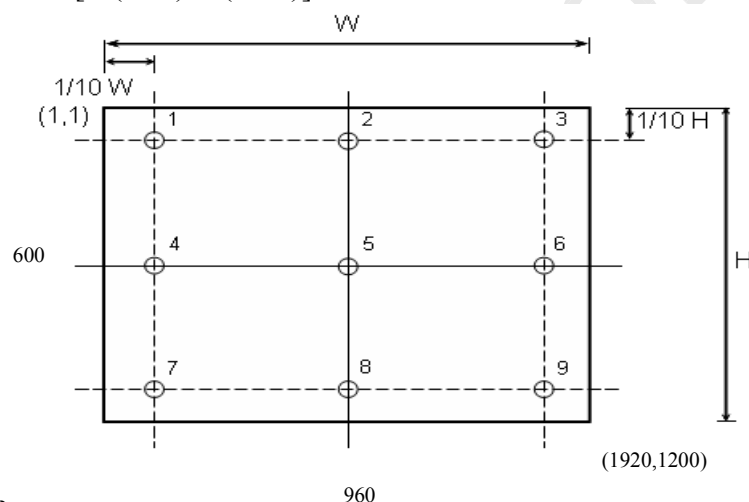
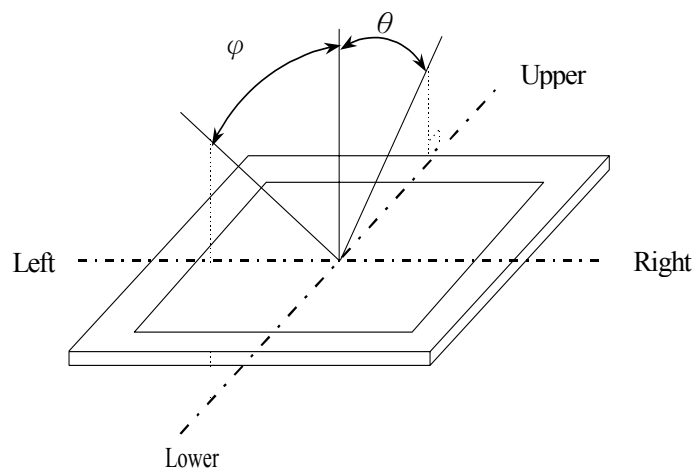
*1).Definition of Contrast Ratio:

CR=ON (White) Luminance/OFF (Black) Luminance

*2).Definition of Luminance and Luminance uniformity:

Center Luminance: measuring the luminance of the point no. 5

Average Luminance: measuring average luminance of points no.1-no.9

Uniformity: $\Delta L = [L(\text{Min})/L(\text{Max})] \times 100\%$ *3).Definition of viewing Angle (θ , ψ):

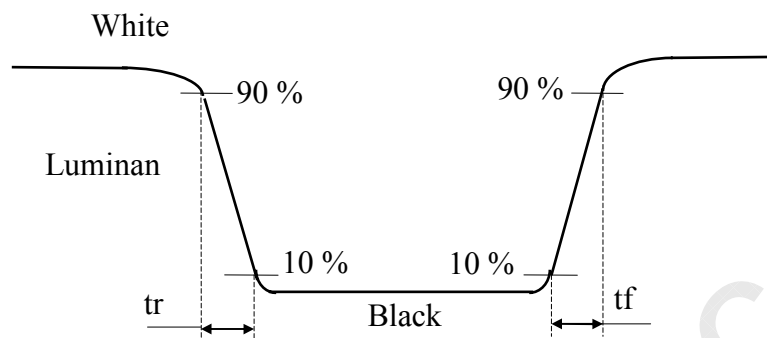
CHUNGHWA PICTUER TUBES, LTD.

TECHNICAL SPECIFICATION

Doc. No : _____

Version : _____

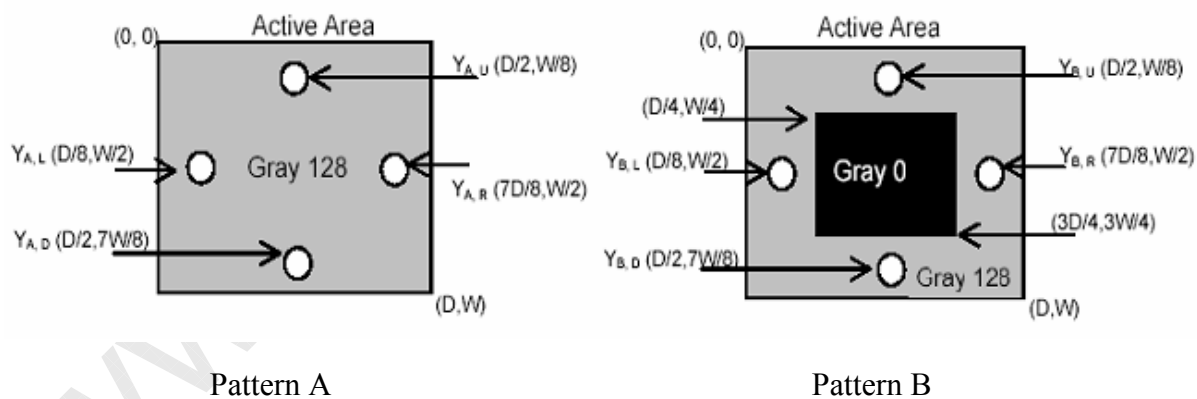
Issue Date : 2008/12/03

Title : CLAA260WU09M Technical Specification***4) Definition of Response Time (Tr, Tf):*****5) Definition of crosstalk:**

$$CT = |Y_B - Y_A| / Y_A \times 100 (\%)$$

Y_A : The luminance of measured position at pattern A

Y_B : The luminance of measured position at pattern B with Gray level



CHUNGHWA PICTUER TUBES, LTD.

TECHNICAL SPECIFICATION

Doc. No : _____

Version : _____

Issue Date : 2008/12/03

Title : CLAA260WU09M Technical Specification***6) Definition of Response Time (T_{GtG_AVE}):**T_{GtG_AVE} is defined as the total average response time for "Gray to Gray".

The Gray to Gray response time is defined as following chart.

Gray to Gray	Rising Time									
	0	32	64	96	128	159	191	223	255	
Falling Time	0									
	32									
	64									
	96									
	128									
	159									
	191									
	223									
	255									

9. RELIABILITY TEST CONDITIONS**(1) Temperature and Humidity**

TEST ITEMS	CONDITIONS
HIGH TEMPERATURE HIGH HUMIDITY OPERATION	50°C ; 90%RH; 240h (No condensation)
HIGH TEMPERATURE HIGH HUMIDITY STORAGE	60°C ; 90%RH;48h (No condensation)
HIGH TEMPERATURE OPERATION	50°C ; 240h
HIGH TEMPERATURE STORAGE	60°C ; 240h
LOW TEMPERATURE OPERATION	0°C ; 240h
LOW TEMPERATURE STORAGE	-20°C ; 240h
THERMAL SHOCK	BETWEEN -20°C (1hr)AND 60°C (1hr); 100 CYCLES

(2) Shock & Vibration

ITEMS	CONDITIONS
SHOCK (NON-OPERATION)	Shock level:1470m/s ² (150G) Waveform: half sinusoidal wave, 2ms Number of shocks: one shock input in each direction of three mutually perpendicular axes for a total of six shock inputs
VIBRATION (NON-OPERATION)	Vibration level: 9.8m/s ² (1.0G) zero to peak Waveform: sinusoidal Frequency range: 5 to 500 Hz Frequency sweep rate: 0.5 octave/min Duration: one sweep from 5 to 500Hz in each of three mutually perpendicular axis(each x,y,z axis: 1 hour, total 3 hours)

CHUNGHWA PICTUER TUBES, LTD.

TECHNICAL SPECIFICATION

Doc. No : _____

Version : _____

Issue Date : 2008/12/03

Title : CLAA260WU09M Technical Specification

(3) ESD

POSITION	CONDITION(MDL turn off)
Connector	1. 200 pF , 0 Ω , ± 250 V 2. contact mode for each pin
Module	1. 150 pF , 330 Ω , $\pm 15K$ V 2. Air mode, test 25 times for each test point 3. Contact mode, 25 times for each test point

(4) Low Pressure test

TEST ITEM	CONDITION
Low Pressure test(storage)	260HPa (30000 ft.) ; 24 Hr

(5) Judgment standard

The judgment of the above test should be made as follow:

Pass: Normal display image with no obvious non-uniformity and no line defect. Partial transformation of the module parts should be ignored.

Fail: No display image, obvious non-uniformity, or line defects.

CHUNGHWA PICTUER TUBES, LTD.

TECHNICAL SPECIFICATION

Doc. No : _____

Version : _____

Issue Date : 2008/12/03

Title : CLAA260WU09M Technical Specification**10. PACKING SPECIFICATION****(1)Packing**

- 5 LCD modules (max.) / 1 Box
- 6 box (max.) / 1 pallet
- Box dimensions: 775(L)×365(W)×485(H)
- Weight: approximately 21Kg (5 modules per box)

(2)Packing Method

Figure (a) and (b) are the packing method

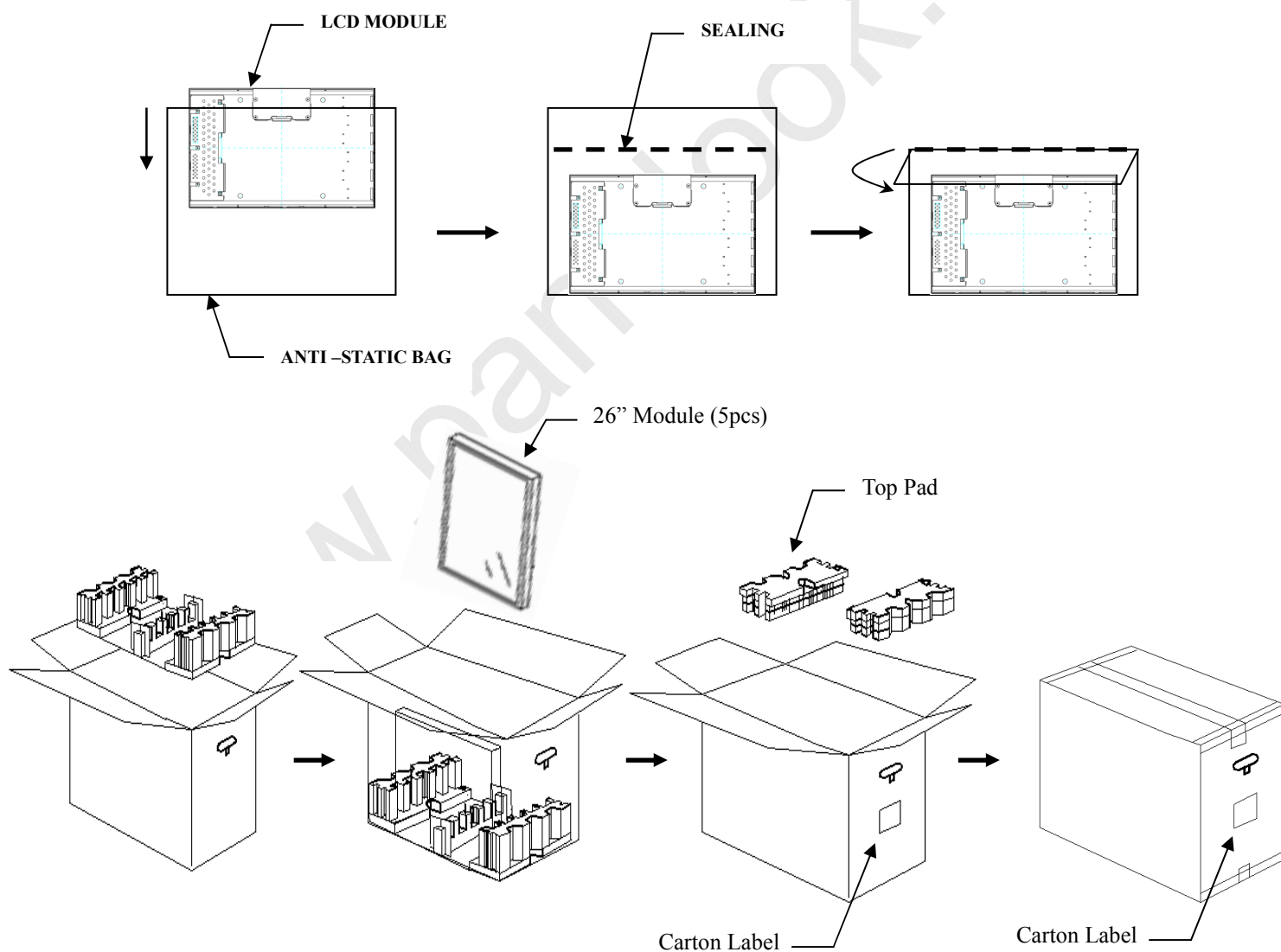


Figure (a) packing method

CHUNGHWA PICTUER TUBES, LTD.

TECHNICAL SPECIFICATION

Doc. No : _____

Version : _____

Issue Date : 2008/12/03

Title : CLAA260WU09M Technical Specification

Cover Protector: L950 × 50 × 50mm

Pallet: 1150(L) × 800(W) × 130(H) mm

Top/Bottom Cap: L1150 × 800 × 130mm

Pallet stack: 1150(L) × 800(W) × 1120(H) mm

Gross Weight: 136Kg(±2Kg)

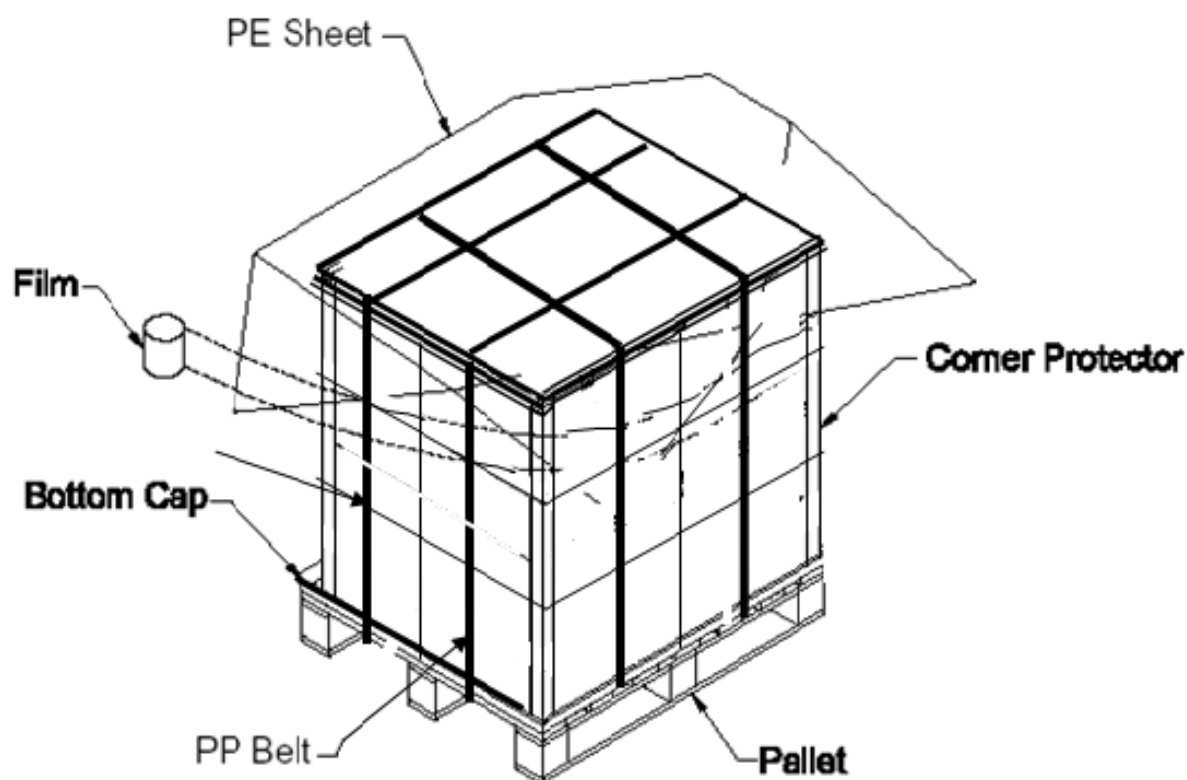


Figure (b) packing method

CHUNGHWA PICTUER TUBES, LTD.

TECHNICAL SPECIFICATION

Doc. No : _____

Version : _____

Issue Date : 2008/12/03

Title : CLAA260WU09M Technical Specification**11. HANDLING PRECAUTIONS FOR TFT-LCD MODULE**

Please pay attention to the followings in handling- TFT-LCD products;

(1) ASSEMBLY PRECAUTION

- 1) Please use the mounting hole on the module side in installing and do not beading or wrenching LCD in assembling. And please do not drop, bend or twist LCD module in handling.
- 2) Please design display housing in accordance with the following guide lines.
 - a) Housing case must be destined carefully so as not to put stresses on LCD all sides and not to wrench module. The stresses may cause non-uniformity even if there is no non-uniformity statically.
 - b) Keep sufficient clearance between LCD module back surface and housing when the LCD module is mounted. Approximately 1.0 mm of the clearance in the design is recommended taking into account the tolerance of LCD module thickness and mounting structure height on the housing.
 - c) When some parts, such as, FPC cable and ferrite plate, are installed underneath the LCD module, still sufficient clearance is required, such as 0.5mm. This clearance is, especially, to be reconsidered when the additional parts are implemented for EMI countermeasure.
 - d) Design the inverter location and connector position carefully so as not to give stress to lamp cable, or not to interface the LCD module by the lamp cable.
 - e) Keep sufficient clearance between LCD module and the others parts, such as inverter and speaker so as not to interface the LCD module. Approximately 1.0mm of the clearance in the design is recommended.
- 3) Please do not push or scratch LCD panel surface with any-thing hard. And do not soil LCD panel surface by touching with bare hands. (Polarizer film, surface of LCD panel is easy to be flawed.)
- 4) Please do not press any parts on the rear side such as source TCP, gate TCP, control circuit board and FPCs during handling LCD module. If pressing rear part is unavoidable, handle the LCD module with care not to damage them.
- 5) Please wipe out LCD panel surface with absorbent cotton or soft cloth in case of it being soiled.
- 6) Please wipe out drops of adhesives like saliva and water on LCD panel surface immediately. They might damage to cause panel surface variation and color change.
- 7) Please do not take a LCD module to pieces and reconstruct it. Resolving and reconstructing modules may cause them not to work well.
- 8) Please do not touch metal frames with bare hands and soiled gloves. A color change of the metal frames can happen during a long preservation of soiled LCD modules.
- 9) Please pay attention to handling lead wire of backlight so that it is not tugged in connecting wit

CHUNGHWA PICTUER TUBES, LTD.

TECHNICAL SPECIFICATION

Doc. No : _____

Version : _____

Issue Date : 2008/12/03**Title : CLAA260WU09M Technical Specification**

inverter.

(2) OPERATING PRECAUTIONS

- 1) Please be sure to turn off the power supply before connecting and disconnecting signal input cable.
- 2) Please do not change variable resistance settings in LCD module. They are adjusted to the most suitable value. If they are changed, it might happen LCD does not satisfy the characteristics specification.
- 3) Please consider that LCD backlight takes longer time to become stable of radiation characteristics in low temperature than in room temperature.
- 4) A condensation might happen on the surface and inside of LCD module in case of sudden change of ambient temperature.
- 5) Please pay attention to displaying the same pattern for very long time. Image might stick on LCD. If then, time going on can make LCD work well.
- 6) Please obey the same caution descriptions as ones that need to pay attention to ordinary electronic parts.

(3) PRECAUTIONS WITH ELECTROSTATICS

- 1) This LCD module use CMOS-IC on circuit board and TFT-LCD panel, and so it is easy to be affected by electrostatics. Please be careful with electrostatics by the way of your body connecting to the ground and so on.
- 2) Please remove protection film very slowly on the surface of LCD module to prevent from electrostatics occurrence.

(4) STORAGE PRECAUTIONS

- 1) When you store LCDs for a long time, it is recommended to keep the temperature between 0°C ~40°C without the exposure of sunlight and to keep the humidity less than 90%RH.
- 2) Please do not leave the LCDs in the environment of high humidity and high temperature such as 60°C 90%RH.
- 3) Please do not leave the LCDs in the environment of low temperature; below -20°C.

(5) SAFETY PRECAUTIONS

- 1) When you waste LCDs, it is recommended to crush damaged or unnecessary LCDs into pieces and wash them off with solvents such as acetone and ethanol, which should later be burned.
- 2) If any liquid leaks out of a damaged-glass cell and comes in contact with the hands, wash off thoroughly with soap and water.

(6) OTHERS

- 1) A strong incident light into LCD panel might cause display characteristics' changing inferior because of polarizer film, color filter, and other materials becoming inferior. Please do not

CHUNGHWA PICTUER TUBES, LTD.

TECHNICAL SPECIFICATION

Doc. No : _____

Version : _____

Issue Date : 2008/12/03**Title : CLAA260WU09M Technical Specification**

expose LCD module direct sunlight Land strong UV rays.

- 2) Please pay attention to a panel side of LCD module not to contact with other materials in preserving it alone.
- 3) For the. packaging box, please pay attention to the followings:
 - a) Packaging box and inner case for LCD are designed to protect the LCDs from the damage or scratching during transportation. Please do not open except picking LCDs up from the box.
 - b) Please do not pile them up more than 5 boxes. (They are not designed so.) And please do not turn over.
 - c) Please handle packaging box with care not to give them sudden shock and vibrations. And also please do not throw them up.
 - d) Packing box and inner case for LCDs are made of cardboard. So please pay attention not to get them wet. (Such like keeping them in high humidity or wet place can occur getting them wet.)