

Dual Channel EMI Filter with ESD Protection

Features

- Two channels of EMI filtering with integrated ESD protection
- Pi-style EMI filters in a capacitor-resistor-capacitor (C-R-C) network
- ±15kV ESD protection on each channel (IEC 61000-4-2 Level 4, contact discharge)
- ±30kV ESD protection on each channel (HBM)
- Greater than 20dB attenuation (typical) at 1 GHz
- 5-lead SC70 package
- Lead-free version available

Applications

- LCD and Camera data lines in mobile handsets
- I/O port protection for mobile handsets, notebook computers, PDAs etc.
- EMI filtering for data ports in cell phones, PDAs or notebook computers.
- Wireless handsets
- Handheld PCs/PDAs
- LCD and camera modules

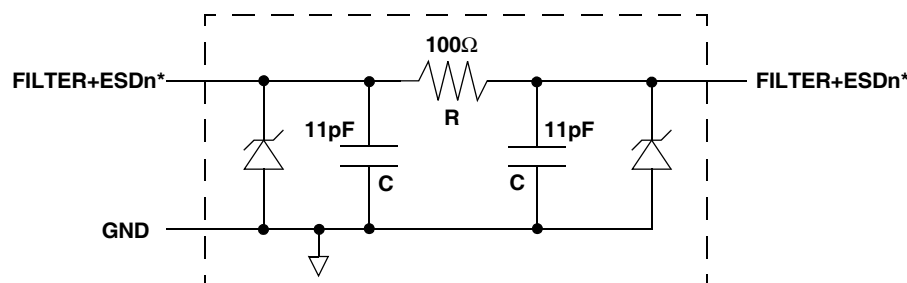
Product Description

The CM1484 is a 2 channel pi-style EMI filter array with ESD protection, housed in a 5-lead SC-70 package. The CM1484 has component values of 11pF-100Ω-11pF per channel. The CM1484 has a cut-off frequency of 220MHz and can be used in applications with data rates up to 80Mbps. The parts include ESD diodes on every pin, which provide a very high level of protection for sensitive electronic components that may be subjected to electrostatic discharge (ESD). The ESD protection diodes safely dissipate ESD strikes of ±15kV, well beyond the maximum requirement of the IEC61000-4-2 international standard. Using the MIL-STD-883 (Method 3015) specification for Human Body Model (HBM) ESD, the pins are protected for contact discharges at greater than ±30kV.

These devices are particularly well-suited for portable electronics (e.g. wireless handsets, PDAs, notebook computers) because of their small package and easy-to-use pin assignments. In particular, the CM1484 is ideal for EMI filtering and protecting data and control lines for the I/O data ports, LCD display and camera interface in mobile handsets.

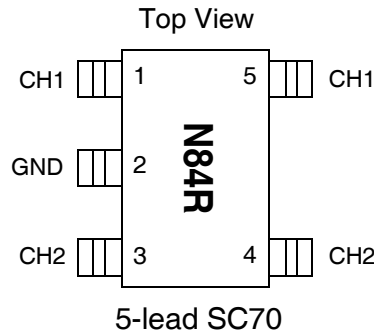
The CM1484 is housed in a small, 5-lead SC70 package and is available with lead-free finishing

Electrical Schematic



**1 of 2 EMI/RFI Filter Channels
with Integrated ESD Protection**

* See Package/Pinout Diagram for expanded pin information.

PACKAGE / PINOUT DIAGRAMS


Notes:

1) These drawings are not to scale.

PIN DESCRIPTIONS

	NAME	DESCRIPTION
1	FILTER1	Filter + ESD Channel 1
2	GND	Ground
3	FILTER2	Filter + ESD Channel 2
4	FILTER2	Filter + ESD Channel 2
5	FILTER1	Filter + ESD Channel 1

Ordering Information
PART NUMBERING INFORMATION

Pins	Package	Lead-free Finish	
		Ordering Part Number ¹	Part Marking
5	SC70	CM1484-02S7	N84R

Note 1: Parts are shipped in Tape & Reel form unless otherwise specified.

Specifications
ABSOLUTE MAXIMUM RATINGS

PARAMETER	RATING	UNITS
Storage Temperature Range	-65 to +150	°C
DC Power per Resistor	100	mW
DC Package Power Rating	500	mW

STANDARD OPERATING CONDITIONS

PARAMETER	RATING	UNITS
Operating Temperature Range	-40 to +85	°C

ELECTRICAL OPERATING CHARACTERISTICS (SEE NOTE1)

SYMBOL	PARAMETER	CONDITIONS	MIN	TYP	MAX	UNITS
R	Resistance		90	100	110	Ω
C _{TOTAL}	Total Channel Capacitance	At 0VDC Reverse Bias, 1MHz, 30mVAC	17.6	22	26.4	pF
C	Capacitance C1	At 0VDC Reverse Bias, 1MHz, 30mVAC	8.8	11	13.2	pF
I _{LEAK}	Diode Leakage Current (reverse bias)	V _{DIODE} =+3.0V			1.0	μA
V _Z	Zener Breakdown Voltage Positive Clamp	I _{LOAD} = 1mA	6.0		8.0	V
V _F	Zener Forward Voltage	I _F = 50mA			1.5	V
V _{ESD}	In-system ESD Withstand Voltage a) Human Body Model, MIL-STD-883, Method 3015 b) Contact Discharge per IEC 61000-4-2 Level 4	Notes 2 and 3	±30			kV
			±15			kV
R _{DYN}	Dynamic Resistance Positive Negative			2.3 0.9		Ω Ω
f _C	Cut-off Frequency Z _{SOURCE} =50Ω, Z _{LOAD} =50Ω	Channel R = 100Ω, Channel C = 22pF at 0V reverse bias		220		MHz

Note 1: T_A=25°C unless otherwise specified.

Note 2: ESD applied to input and output pins with respect to GND, one at a time.

Note 3: These parameters are guaranteed by design and characterization.

Performance Information

Typical Filter Performance (T_A=25°C, DC Bias=0V, 50 Ohm Environment)

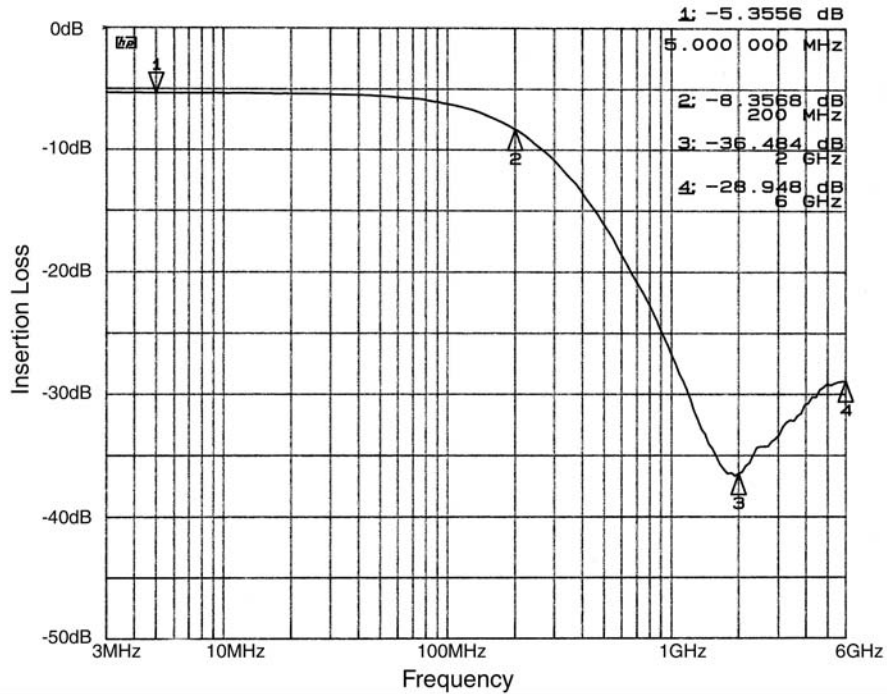


Figure 1. Insertion Loss vs. Frequency (FILTER1 Input to GND)

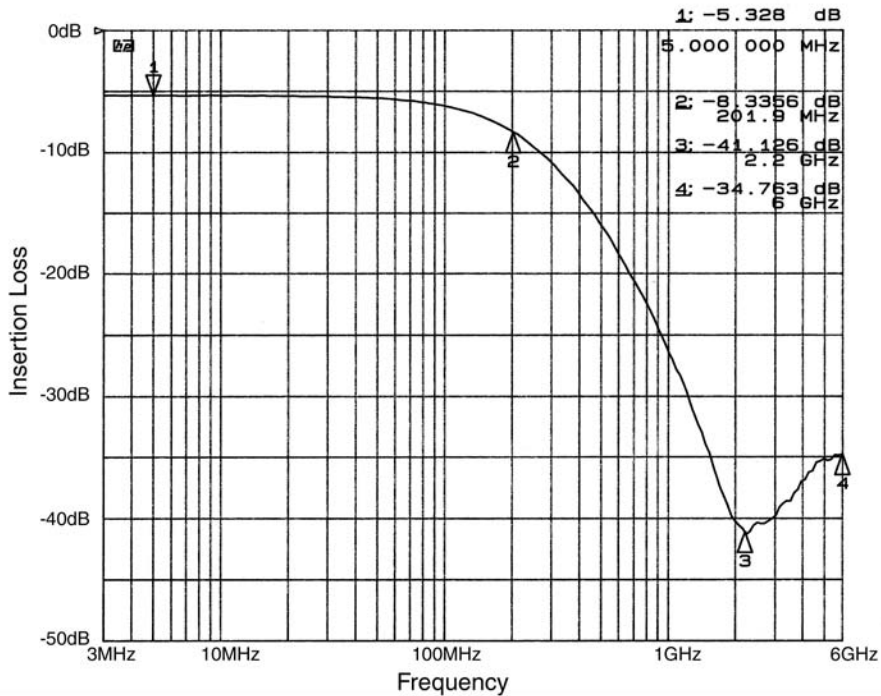


Figure 2. Insertion Loss vs. Frequency (FILTER2 Input to GND)

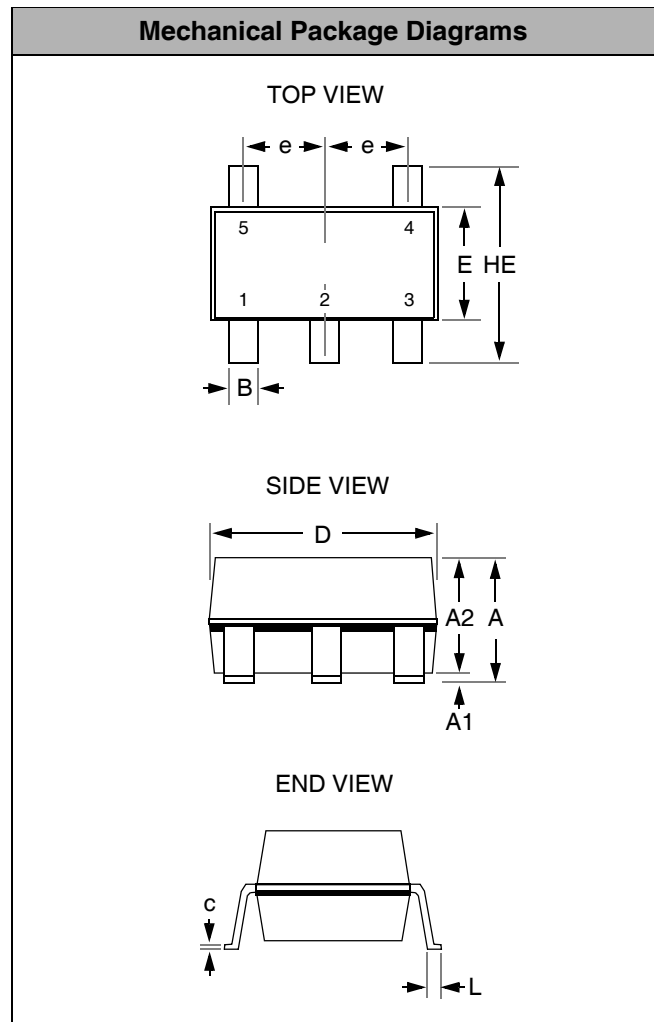
Mechanical Details

SC70-5 Mechanical Specifications:

The CM1484-02S7 is supplied in a 5-pin SC70 package. Dimensions are presented below.

For complete information on the SC70-5, see the California Micro Devices SC70 Package Information document.

PACKAGE DIMENSIONS		
Package	SC70-5 (JEDEC name is MO-203 Issue A)	
Pins	5	
Dimensions	Millimeters	
	Min	Max
A	0.80	1.10
A1	0.00	0.10
A2	0.70	1.00
B	0.15	0.30
c	0.08	0.25
D	1.85	2.25
E	1.15	1.35
e	0.65 BSC	
HE	2.00	2.40
L	0.26	0.46
# / tape and reel	3000 pieces	
Controlling dimension: millimeters		



Package Dimensions for SC70-5.