

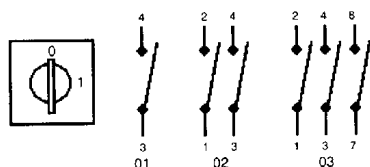
CM Series power rotary switches have a modular design that combines the use of assemblies of standard contact elements with a variety of contact cam and panel-mounted actuators and front plates. This affords great flexibility for designing switches for specific applications, and yet permits economical solutions, even for small quantities.

ELECTRICAL RATINGS

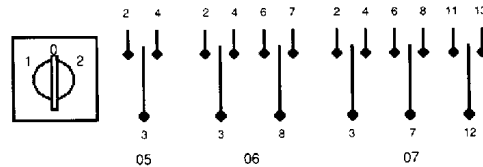
Current Ratings:
General Purpose: 25(10)A at 500 VAC
Motor Control: 16(10)A at 380 VAC
Thermal (Ith): 25A
Insulation Voltage Rating: 660V

MODEL	DESCRIPTION	CIRCUIT CODE	PANEL- MOUNTED ACTUATOR/PLATE	PLATE SIZE (MAX.)
CM0125RF72A	SPST (ON-OFF)	01	BLACK KNOB, GRAY FRONT PLATE, 0 & 1 MARKING (90°)	2.875"SQ.
CM0225RF72A	DPST (ON-OFF)	02	BLACK KNOB, GRAY FRONT PLATE, 0 & 1 MARKING (90°)	2.875"SQ.
CM0325RF72A	3PST (ON-OFF)	03	BLACK KNOB, GRAY FRONT PLATE, 0 & 1 MARKING (90°)	2.875"SQ.
CM0125RF720S	SPST (ON-OFF)	01	RED KNOB, YELLOW FRONT PLATE 0 & 1 MARKING (90°)	2.875"SQ.
CM0225RF720S	DPST (ON-OFF)	02	RED KNOB, YELLOW FRONT PLATE, 0 & 1 MARKING (90°)	2.875"SQ.
CM0325RF720S	3PST (ON-OFF)	03	RED KNOB, YELLOW FRONT PLATE, 0 & 1 MARKING (90°)	2.875"SQ.
CM0125RF72BL	SPST (ON-OFF)	01	RED KNOB, YELLOW GUARD FRONT PLATE, 0 & 1 MARKING (90°)	2.875"SQ.
CM0225RF72BL	DPST (ON-OFF)	02	RED KNOB, YELLOW GUARD FRONT PLATE, 0 & 1 MARKING (90°)	2.875"SQ.
CM0325RF72BL	3PST (ON-OFF)	03	RED KNOB, YELLOW GUARD FRONT PLATE, 0 & 1 MARKING (90°)	2.875"SQ.
CM0525RF72B	SPDT (ON-OFF)	05	BLACK KNOB, GRAY FRONT PLATE, 45°, 1 - 0 - 2 MARKING	2.875"SQ.
CM0625RF72B	DPST (ON-OFF)	06	BLACK KNOB, GRAY FRONT PLATE, 45°, 1 - 0 - 2 MARKING	2.875"SQ.
CM0725RF72B	3PDT (ON-OFF)	07	BLACK KNOB, GRAY FRONT PLATE, 45°, 1 - 0 - 2 MARKING	2.875"SQ.
CM1625RF72D	VOLTMETER SWITCH 3 ϕ , PHASE TO PHASE	16	BLACK KNOB, GRAY FRONT PLATE, 45°, 0/R/S/ST/TR MARKING	2.875"SQ.
CM1825RF72E	VOLTMETER SWITCH 3 ϕ , PHASE TO PHASE & PHASE TO NATURAL	18	BLACK KNOB, GRAY FRONT PLATE, 45°, 0/R/N/RS/RT, RS/ST/TR MARKING	2.875"SQ.
CM2225RF72F	1-POLE AMMETER SWITCH FOR 3 CURRENT TRANSFORMERS	22	BLACK KNOB, GRAY FRONT PLATE, 90°, 0 - 1 - 2 - 3 MARKING	2.875"SQ.

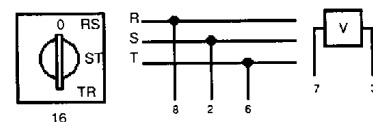
ON - OFF SWITCHES



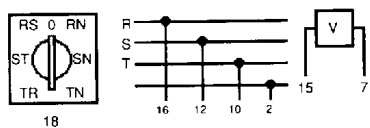
TRANSFER SWITCHES



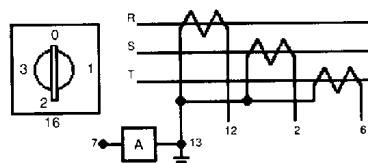
VOLTMETER SWITCH



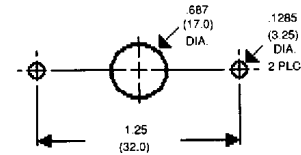
VOLTMETER SWITCH



AMMETER SWITCH

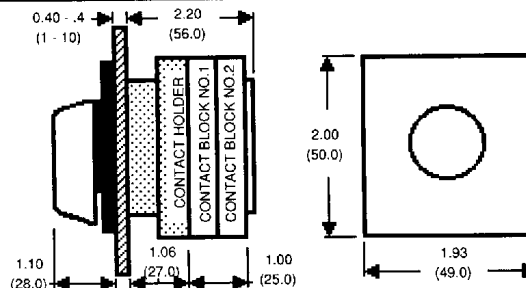


PANEL MOUNTING DIMENSION



TYPICAL OUTLINE DIMENSIONS

Drawing shows switch with two contact blocks (4 contacts). Each additional contact block adds 0.49 inch (12.5 MM). See pages H15-H16.



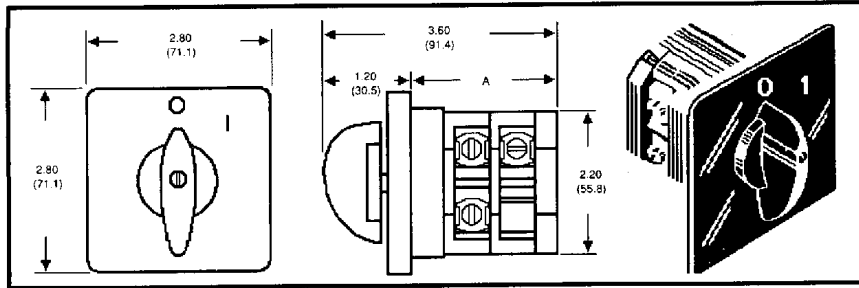
SPECIFICATIONS SUBJECT TO CHANGE WITHOUT NOTICE.

SERIES 2 • 32 AMP CAM-OPERATED ROTARY

Series 2 cam-operated rotary power switches are U.L. Recognized for general purpose duty and single-phase motor control up to 600 VAC. Double-break silver contacts assure low temperature rise and long service life. Rugged contact housings are molded of melamine resin. Supplied with nylon front mounting plate and legend plate, with snap-on polycarbonate escutcheon cover. Black point knob. Switching applications not included in list below can be promptly and economically satisfied by special assembly of standard production piece parts (see custom circuits).

SPECIFICATIONS

CONTACT RATING: 32 amperes @ 600VAC, 10 or 30 general purpose
HORSEPOWER RATING: 5HP @ 220 VAC, 10, 2-pole break
 10 HP @ 480VAC, 10, 2-pole break
 12 HP (23FLA) @ 600 VAC, 10, 2-pole break
DIELECTRIC STRENGTH: 2200 VRMS
U.L. File E69915, CSA LR20785



SINGLE THROW MODELS - 45°

NO. OF POLES	TYPE	ACTUATOR POSITION		DIM. "A" (IN.)	MODEL
		0	1		
1	SPST	OFF	ON	1.55	2.01.11*
2	DPST	OFF	ON	1.55	2.02.11*
3	3PST	OFF	ON	2.25	2.03.11*

DOUBLE THROW MODELS - 45° OR 90°

NO. OF POLES	TYPE	ACTUATOR POSITION		DIM. "A" (IN.)	MODEL	
		1	2			
1	SPDT	ON	OFF	ON	1.55	2.05.11*
2	DPDT	ON	OFF	ON	2.25	2.06.11*
3	3PDT	ON	OFF	ON	2.95	2.07.11*
4	4PDT	ON	OFF	ON	3.65	2.45.11
1	SPDT	ON	ON		1.55	2.41.11
2	DPDT	ON	ON		2.25	2.42.11
3	3PDT	ON	ON		3.65	2.43.11

MULTIPLE THROW SELECTOR MODELS

1	SP3Pos	45° THROW	2.25	2.38.11
1	SP4Pos	45° THROW	2.25	2.46.11
2	DP4Pos	THROW	3.65	2.47.11
3	3P4Pos	THROW	5.05	2.48.11
1	SP6Pos	45° THROW	3.65	2.49.11
2	DP6Pos	THROW	5.05	2.50.11
3	3P6Pos	THROW	7.7	2.51.11

ADDITIONAL INFORMATION

LEGEND PLATES: Supplied with legend plate with appropriate numerical marking ("0" and "1", "1" and "2", ect.). Special legends engraved on request.

TERMINALS: Heavy duty screw type, with pressure plate. Stud size 10. Accepts spade tongue wire terminations up to 1/2 inch wide, or conductors up to .17 inch square or round.

OPTIONS: Available variations include rear mounting hardware, keylock or lever handle actuation, safety switchlock, and door interlock mounting.

PANEL MOUNTING DIMENSIONS

Cut-out shown for standard panel mounting. Mounting plate has two sets of corners of 2.25" and 1.89" squares. Max. panel thickness: .313" or .50", depending on circuit voltage.

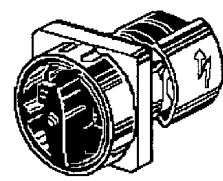
CUSTOM CIRCUITS

Series 2 cam-operated switches have a modular design, permitting a wide variety of switching configurations. Each switch section, or bank, can house two contacts, and up to ten sections can be stacked to provide up to 20 total contacts. The contacts are operated by cams on a central shaft, and a variety of cams is available permitting an almost unlimited number of contact closure sequences. Appropriate detent angles of 30, 45, 60, or 90 degrees may be specified.

Contact factory for information concerning the assembly of a switch for your specific requirements.

GUARDED KNOB OPTIONS

*Models with asterisk in table below are available with yellow guard and red knob (add +OM to number) for single throw types or grey guard and blue knob (add +OZ) for double throw types. 90° throw. Can be secured with padlocks.

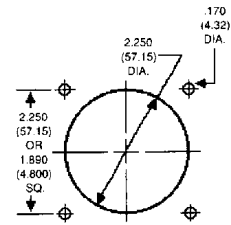


INSTRUMENT SWITCHES

For information about standard and custom voltmeter and ammeter switches, contact factory.

TYPICAL MODELS INCLUDE:

2.15.11	Voltmeter	(phase-to-neutral)
2.16.11	Voltmeter	(phase-to-phase)
2.21.11	Ammeter	(2 C.T.'s single pole)
2.22.11	Ammeter	(3 C.T.'s single pole)



SPECIFICATIONS SUBJECT TO CHANGE WITHOUT NOTICE.

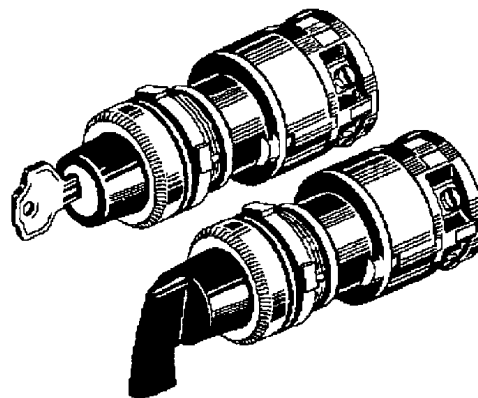
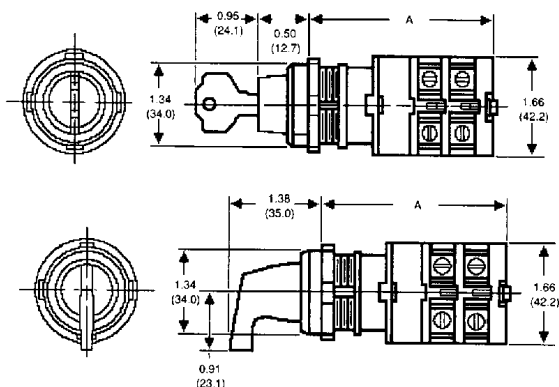
SERIES 13 • 16 AMP CAM-OPERATED ROTARY

A-25-09

Series 13 cam-operated rotary switches are U.L. Recognized for heavy duty pilot service and motor control applications. Contacts are silver double-break type and housings are rugged melamine resin. All lever handle and keylock models have polycarbonate bushings for maximum isolation and are supplied with hardware for oil-tight panel sealing. Modular design permits many switching configurations not listed below, including motor control, meter switching and special application circuits.

SPECIFICATIONS

CONTACT RATING: 16 amperes @ 300 VAC, general purpose
 12 amperes @ 50 VDC, resistive load
 HORSEPOWER RATING: 1 HP @ 120 VAC, 2 HP @ 240 VAC, 1
 2 HP @ 120 VAC, 5 HP @ 240 VAC, 3
 PILOT DUTY: Heavy duty @ 240 VAC max.
 Dielectric Strength: 1600 VRMS
 U.L. File E69915, CSA LR20785



SINGLE THROW MODELS - 60° THROW ↗

NO. OF POLES	TYPE	ACTUATOR POSITION		DIM. "A" (in.)	LEVER HANDLE MODEL	KEYLOCK MODEL	KEY
		0	1				
1	SPST	OFF	ON	2.50	13.01.11+2T	13.01.11+2K	G001
2	DPST	OFF	ON	2.50	13.02.11+2T	13.02.11+2K	G001
3	3PST	OFF	ON	2.97	13.03.11+2T	13.03.11+2K	G001

DOUBLE THROW MODELS - 60° THROW ↗ OR ↘

NO. OF POLES	TYPE	ACTUATOR POSITION			DIM. "A" (in.)	LEVER HANDLE MODEL	KEYLOCK MODEL	KEY
		1	0	2				
1	SPDT	ON	OFF	ON	2.50	13.05.11+2T	13.05.11+2K	G001
2	DPDT	ON	OFF	ON	2.97	13.06.11+2T	13.06.11+2K	G001
3	3PDT	ON	OFF	ON	3.46	13.07.11+2T	13.07.11+2K	G001
4	4PDT	ON	OFF	ON	3.94	13.45.11+2T	13.45.11+2K	G001
		1	2					
1	SPDT	ON	ON		2.50	13.41.11+2T	13.41.11+2K	G001
2	DPDT	ON	ON		2.97	13.42.11+2T	13.42.11+2K	G001
3	3PDT	ON	ON		3.46	13.43.11+2T	13.43.11+2K	G001

MULTIPLE THROW SELECTOR MODELS

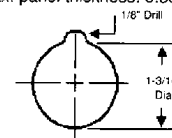
NO. OF POLES	TYPE	ACTUATOR POSITION	THROW	DIM. "A" (in.)	LEVER HANDLE MODEL	KEYLOCK MODEL	KEY
1	SP3Pos	45°	Throw	2.97	13.38.11+2T	13.38.11+2K	G501
1	SP4Pos	45°	Throw	2.97	13.38.11+2T	13.46.11+2K	G501
2	DP4Pos		Throw	3.94	13.47.11+2T	13.47.11+2K	G501
3	3P4Pos		Throw	4.91	13.48.11+2T	13.48.11+2K	G501
1	SP6Pos	45°	Throw	3.46	13.49.11+2T	13.49.11+2K	G501
2	DP6Pos		Throw	4.91	13.50.11+2T	13.50.11+2K	G501
3	3P6Pos		Throw	6.35	13.51.11+2T	13.51.11+2K	G501

Key is removable in all positions for single and double throw models, and in position 1 only for multiple throw selector models.

SPECIAL SWITCHING CONFIGURATIONS AVAILABLE. CONSULT THE FACTORY.

RECOMMENDED MOUNTING DIMENSIONS

Max. panel thickness: 0.33 inch.



SPECIFICATION SUBJECT TO CHANGE WITHOUT NOTICE.

ADDITIONAL INFORMATION

LEGEND PLATES: Supplied with round metal plate with appropriate numerical markings.

TERMINALS: Screw type, with pressure plate. Accepts spade tongue wire terminations to 0.343" wide.

OPTIONS: Also available with 2-1/8" square escutcheon with transparent cover, black pointer knob.

Voltmeter and ammeter switches available.