

### GENERAL DESCRIPTION

The CM6903A is a space-saving PFC-PWM controller for power factor corrected, switched mode power supplies that offers very low start-up and operating currents. For the power supply less than 500Watt, its input current shaping PFC performance could be very close to CM6800 or ML4800 architecture.

Power Factor Correction (PFC) offers the use of smaller, lower cost bulk capacitors, reduces power line loading and stress on the switching FETs, and results in a power supply fully compliant to IEC1000-3-2 specifications. The CM6903A includes circuits for the implementation of a leading edge, input current shaping technique "boost" type PFC and a trailing edge, PWM.

The CM6903A's PFC and PWM operate at the same frequency, 67.5kHz. A PFC OVP comparator shuts down the PFC section in the event of a sudden decrease in load. The PFC section also includes peak current limiting for enhanced system reliability.

### FEATURES

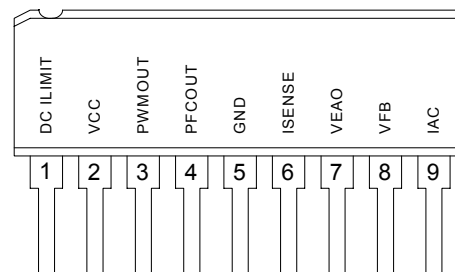
- ◆ Patent Number #5,565,761, #5,747,977, #5,742,151, #5,804,950, #5,798,635
- ◆ Pin to pin compatible with FAN6903/4
- ◆ Enable lowest BOM for power supply with PFC
- ◆ Internally synchronized PFC and PWM in one IC
- ◆ Patented slew rate enhanced voltage error amplifier with advanced input current shaping technique
- ◆ Universal Line Input Voltage
- ◆ CCM boost or DCM boost with leading edge modulation PFC using Input Current Shaping Technique
- ◆ Feed forward IAC pin to do the automatic slope compensation
- ◆ PFCOVP, PFC VCCOVP, Precision -1V PFC ILIMIT, Tri-Fault Detect comparator to meet UL1950
- ◆ No bleed resistor required
- ◆ Low supply currents; start-up: 100uA typical, operating current: 2mA typical.
- ◆ Synchronized leading PFC and trailing edge modulation PWM to reduce ripple current in the storage capacitor between the PFC and PWM sections and to reduce switching noise in the system
- ◆ VINOK Comparator to guarantee to enable PWM when PFC reach steady state
- ◆ High efficiency trailing-edge current mode PWM
- ◆ UVLO, REFOK, and brownout protection
- ◆ Digital PWM softstart: CM6903A (10ms)
- ◆ Precision PWM 1.5V current limit for current mode operation

### APPLICATIONS

- ◆ Desktop PC
- ◆ AC Adaptor
- ◆ Open Frame

### PIN CONFIGURATION

SIP-09 (Z09)  
Front View



**PIN DESCRIPTION**

Pin No.	Symbol	Description	Operating Voltage			
			Min.	Typ.	Max.	Unit
1	DC I <sub>LIMIT</sub>	PWM current limit comparator input	0		1.5	V
2	V <sub>CC</sub>	Positive supply	10	13	18	V
3	PWM OUT	PWM driver output	0		VCC	V
4	PFC OUT	PFC driver output	0		VCC	V
5	GND	Ground				
6	I <sub>SENSE</sub>	Current sense input to the PFC current limit comparator	-5		0.7	V
7	VEAO	PFC transconductance voltage error amplifier output	0		6	V
8	V <sub>FB</sub>	PFC transconductance voltage error amplifier input	0	2.5	3	V
9	IAC	Feedforward input to do slope compensation and to start up the system	0		1	V

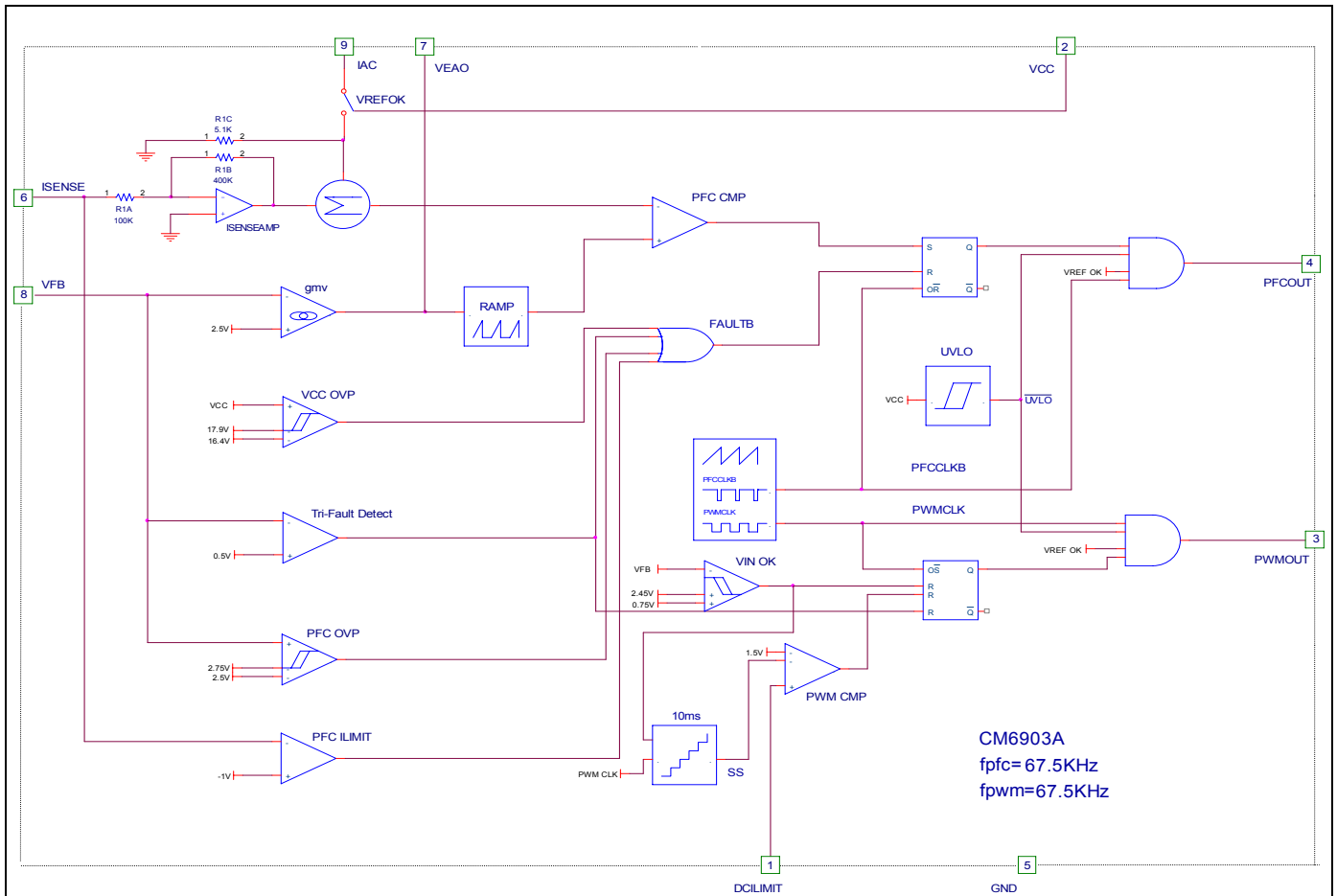
**ORDERING INFORMATION**

Part Number	Operation Frequency	Initial Accuracy (KHz)			Temperature Range	Package
		Min	Typ	Max		
<b>CM6903AIZ</b>	F <sub>pwm</sub> = F <sub>pfc</sub> = 67.5Khz	60	67.5	74	-40°C to 125°C	9-Pin SIP (Z09)
<b>CM6903AGIZ*</b>	F <sub>pwm</sub> = F <sub>pfc</sub> = 67.5Khz	60	67.5	74	-40°C to 125°C	9-Pin SIP (Z09)
<b>CM6903AXIZ*</b>	F <sub>pwm</sub> = F <sub>pfc</sub> = 67.5Khz	60	67.5	74	-40°C to 125°C	9-Pin SIP (Z09)

**Note:**

- 1.G : Suffix for Pb Free Product
- 2.Initial Accuracy : T<sub>A</sub>=25°C
- 3.X : Suffix for Halogen Free Product

### BLOCK DIAGRAM



### ABSOLUTE MAXIMUM RATINGS

Absolute Maximum ratings are those values beyond which the device could be permanently damaged.

Parameter	Min.	Max.	Units
V <sub>CC</sub> MAX		20	V
IAC (after start up)	GND-0.3	1.0	V
I <sub>SENSE</sub> Voltage	-5	0.7	V
PFC OUT	GND – 0.3	VCC + 0.3	V
PWM OUT	GND – 0.3	VCC + 0.3	V
VEAO	0	6.3	V
Voltage on Any Other Pin	GND – 0.3	VCC + 0.3	V
I <sub>CC</sub> Current (Average)		40	mA
Peak PFC OUT Current, Source or Sink		0.5	A
Peak PWM OUT Current, Source or Sink		0.5	A
PFC OUT, PWM OUT Energy Per Cycle		1.5	μJ
Junction Temperature		150	°C
Storage Temperature Range	-65	150	°C
Operating Temperature Range	-40	125	°C
Lead Temperature (Soldering, 10 sec)		260	°C
Thermal Resistance (θ <sub>JA</sub> )		80	°C/W

### ELECTRICAL CHARACTERISTICS

Unless otherwise stated, these specifications apply  $V_{CC}=+15V$ ,  
 $T_A$ =Operating Temperature Range (Note 1)

Symbol	Parameter	Test Conditions	CM6903A			Unit
			Min.	Typ.	Max.	
<b>Voltage Error Amplifier (<math>g_{mv}</math>)</b>						
	Input Voltage Range		0		5	V
	Transconductance	$V_{NONINV} = V_{INV}$ , $VEAO = 3.75V$	30	65	90	$\mu mho$
	Feedback Reference Voltage		2.45	2.5	2.55	V
	Input Bias Current	Note 2		-0.5	-1.0	$\mu A$
	Output High Voltage		5.8	6.0		V
	Output Low Voltage			0.1	0.4	V
	Sink Current	$V_{FB} = 3V$ , $VEAO = 6V$	-20	-35		$\mu A$
	Source Current	$V_{FB} = 1.5V$ , $VEAO = 1.5V$	30	40		$\mu A$
	Open Loop Gain		50	60		dB
	Power Supply Rejection Ratio	$11V < V_{CC} < 16.5V$	50	60		dB
<b>IAC</b>						
	Input Impedance	$ISENSE = 0V$	4080	5100	6120	Ohm
<b>VCC OVP Comparator</b>						
	Threshold Voltage		17.4	17.9	18.4	V
	Hysteresis		1.2	1.5	1.65	V
<b>PFC OVP Comparator</b>						
	Threshold Voltage		2.60	2.77	2.85	V
	Hysteresis		200		290	mV
<b>PFC <math>I_{LIMIT}</math> Comparator</b>						
	Threshold Voltage		-0.9	-1	-1.15	V
	Delay to Output			150	300	ns
<b><math>V_{IN}</math> OK Comparator</b>						
	Threshold Voltage		2.35	2.45	2.55	V
	Hysteresis		1.65	1.75	1.85	V
<b>PWM Digital Soft Start</b>						
	Digital Soft Start Timer (Note 2)	Right After Start Up (CM6903A)		10		ms
<b>DC <math>I_{LIMIT}</math> Comparator</b>						
	Threshold Voltage		1.4	1.5	1.6	V
	Delay to Output (Note 2)			150	300	ns
<b>Tri-Fault Detect Comparator</b>						
	Fault Detect HIGH		2.65	2.75	2.85	V
	Time to Fault Detect HIGH	$V_{FB}=V_{FAULT\ DETECT\ LOW}$ to $V_{FB} = OPEN$ , 470pF from $V_{FB}$ to GND		2	4	ms
	Fault Detect LOW		0.4	0.5	0.6	V
<b>Oscillator</b>						
	Initial Accuracy	$T_A = 25^\circ C$	62	67	74	kHz
	Voltage Stability	$10V < V_{CC} < 15V$		1		%
	Temperature Stability			2		%
	Total Variation	Line, Temp	60	67	74.5	kHz
	PFC Dead Time (Note 2)		0.3	0.45	0.65	$\mu s$

### ELECTRICAL CHARACTERISTICS (Conti.) Unless otherwise stated, these specifications apply

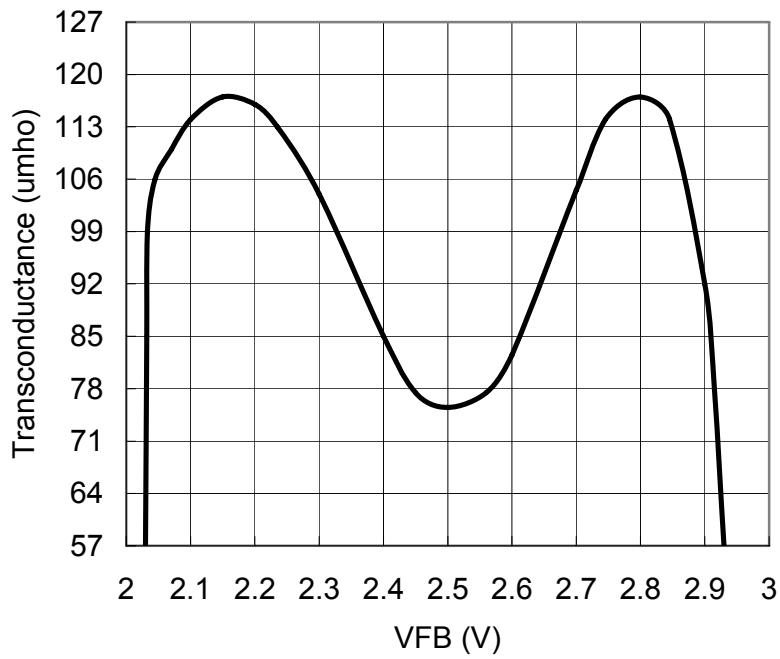
V<sub>CC</sub>=+15V, T<sub>A</sub>=Operating Temperature Range (Note 1)

Symbol	Parameter	Test Conditions	CM6903A			Unit
			Min.	Typ.	Max.	
<b>PFC</b>						
	Minimum Duty Cycle	I <sub>AC</sub> =100uA, V <sub>FB</sub> =2.55V, I <sub>SENSE</sub> = 0V			0	%
	Maximum Duty Cycle	I <sub>AC</sub> =0uA, V <sub>FB</sub> =2.0V, I <sub>SENSE</sub> = 0V	90	95		%
	Output Low Impedance			15	22.5	ohm
	Output Low Voltage	I <sub>OUT</sub> = -100mA		0.8	1.5	V
		I <sub>OUT</sub> = -10mA, V <sub>CC</sub> = 8V		0.4	0.8	V
	Output High Impedance			30	45	ohm
	Output High Voltage	I <sub>OUT</sub> = 100mA, V <sub>CC</sub> = 15V	13.5	14.2		V
	Rise/Fall Time (Note 2)	C <sub>L</sub> = 1000pF		50		ns
<b>PWM</b>						
	Duty Cycle Range	CM6903A	0-49.5		0-50	%
	Output Low Impedance			15	22.5	ohm
	Output Low Voltage	I <sub>OUT</sub> = -100mA		0.8	1.5	V
		I <sub>OUT</sub> = -10mA, V <sub>CC</sub> = 8V		0.7	1.5	V
	Output High Impedance			30	45	ohm
	Output High Voltage	I <sub>OUT</sub> = 100mA, V <sub>CC</sub> = 15V	13.5	14.2		V
	Rise/Fall Time (Note 2)	C <sub>L</sub> = 1000pF		50		ns
<b>Supply</b>						
	Start-Up Current	V <sub>CC</sub> = 11V, C <sub>L</sub> = 0		100	150	uA
	Operating Current	V <sub>CC</sub> = 15V, C <sub>L</sub> = 0		2.5	4.0	mA
	Undervoltage Lockout Threshold		12.74	13.0	13.26	V
	Undervoltage Lockout Hysteresis		2.85	3.0	3.15	V

Note 1: Limits are guaranteed by 100% testing, sampling, or correlation with worst-case test conditions.

Note 2: Guaranteed by design, not 100% production test.

### TYPICAL PERFORMANCE CHARACTERISTIC



**Voltage Error Amplifier ( $g_{mv}$ ) Transconductance**

## Functional Description

The CM6903A consists of an ICST (Input Current Shaping Technique), CCM (Continuous Conduction Mode) or DCM (Discontinuous Conduction Mode) boost PFC (Power Factor Correction) front end and a synchronized PWM (Pulse Width Modulator) back end. The CM6903A is pin compatible with FAN6903/4 (9 pin SIP package), which is the second generation of the ML4803 with 8 pin package. It is distinguished from earlier combo controllers by its low count, innovative input current shaping technique, and very low start-up and operating currents. The PWM section is dedicated to peak current mode operation. It uses conventional trailing-edge modulation, while the PFC uses leading-edge modulation. This patented Leading Edge/Trailing Edge (LETE) modulation technique helps to minimize ripple current in the PFC DC buss capacitor.

The main improvements from ML4803 are:

- 1.) Remove the one pin error amplifier and add back the slew rate enhancement gm<sub>v</sub>, which is using voltage input instead of current input. This transconductance amplifier will increase the transient response 5 to 10 times from the conventional OP
- 2.) VFB PFC OVP comparator
- 3.) Tri-fault Detect for UL1950 compliance and enhanced safety
- 4.) A feedforward signal from IAC pin is added to do the automatic slope compensation. This increases the signal to noise ratio during the light load; therefore, THD is improved at light load and high input line voltage.
- 5.) CM6903A does not require the bleed resistor and it uses the less than 500k ohm resistor between IAC pin and rectified line voltage to feed the initial current before the chip wakes up.
- 6.) VINOK comparator is added to guarantee PWM cannot turn on until VFB reaches 2.5V in which PFC boost output is about steady state, typical 380V.
- 7.) A 10mS digital PWM soft start circuit is added
- 8.) 9 pin SIP package
- 9.) No internal Zener but with VCCOVP comparator

The CM6903A operates both PFC and PWM sections at 67kHz. This allows the use of smaller PWM magnetic and output filter components, while minimizing switching losses in the PFC stage.

Several protection features have been built into the CM6903A. These include soft-start, redundant PFC overvoltage protection, Tri-Fault Detect, VINOK, peak current limiting, duty cycle limiting, under-voltage lockout, reference ok comparator and VCCOVP.

### Detailed Pin Descriptions

#### DCILIMIT (Pin 1)

This pin is tied to the primary side PWM current sense resistor or transformer. It provides the internal pulse-by-pulse current limit for the PWM stage (which occurs at 1.5V) and the peak current mode feedback path for the current mode control of the PWM stage. Besides current information, the optocouple also goes into DCILIMIT pin. Therefore, it is the SUM Amplifier input.

#### VCC (Pin 2)

VCC is the power input connection to the IC. The VCC start-up current is 100uA. The no-load ICC current is 2mA. VCC quiescent current will include both the IC biasing currents and the PFC and PWM output currents. Given the operating frequency and the MOSFET gate charge (Q<sub>g</sub>), average PFC and PWM output currents can be calculated as I<sub>OUT</sub> = Q<sub>g</sub> x F. The average magnetizing current required for any gate drive transformers must also be included. The VCC pin is also assumed to be proportional to the PFC output voltage. Internally it is tied to the VCC OVP comparator (17.9V) providing redundant high-speed over-voltage protection (OVP) of the PFC stage. VCC also ties internally to the UVLO circuitry and VREFOK comparator, enabling the IC at 13V and disabling it at 10V. VCC must be bypassed with a high quality ceramic bypass capacitor placed as close as possible to the IC. Good bypassing is critical to the proper operation of the CM6903A.

VCC is typically produced by an additional winding off the boost inductor or PFC Choke, providing a voltage that is proportional to the PFC output voltage. Since the VCC OVP max voltage is 17.9V, an internal shunt limits VCC overvoltage to an acceptable value. An external clamp, such as shown in Figure 1, is desirable but not necessary.

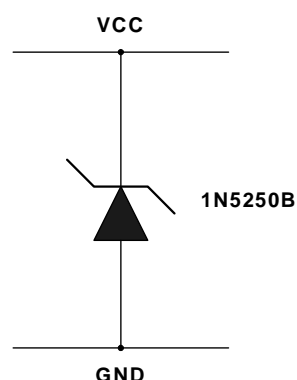


Figure 1. Optional VCC Clamp

- 1.) This limits the maximum VCC that can be applied to the IC while allowing a VCC which is high enough to trip the VCC OVP. An RC filter at VCC is required between boost trap winding and VCC.

**PFC OUT (Pin 4) and PWM OUT (Pin3)**

PFC OUT and PWM OUT are the high-current power driver capable of directly driving the gate of a power MOSFET with peak currents up to -1A and +0.5A. Both outputs are actively held low when VCC is below the UVLO threshold level which is 13V or VREFOK comparator is low.

**GND (Pin 5)**

GND is the return point for all circuits associated with this part. Note: a high-quality, low impedance ground is critical to the proper operation of the IC. High frequency grounding techniques should be used.

**ISENSE (Pin 6)**

This pin ties to a resistor which senses the PFC input current. This signal should be negative with respect to the IC ground. It internally feeds the pulse-by-pulse current limit comparator and the current sense feedback signal. The ILIMIT trip level is -1V. The ISENSE feedback is internally multiplied by a gain of four and compared against the internal programmed ramp to set the PFC duty cycle. The intersection of the boost inductor current downslope with the internal programming ramp determines the boost off-time.

It requires a RC filter between ISENSE and PFC boost sensing resistor.

**VEAO (Pin 7)**

This is the PFC slew rate enhanced transconductance amplifier output which needs to be connected with a compensation network.

**VFB (Pin 8)**

Besides this is the PFC slew rate enhanced transconductance input, it also ties to a couple of protection comparators, PFCOVP, and Tri-Fault Detect

**IAC (pin 9)**

Typically, it has a feedforward resistor, RAC, based on your demand, more than 800K ohm resistor connected between this pin and rectified line input voltage.

This pin serves 2 purposes:

- 1.) During the startup condition, it supplies the startup current; therefore, the system does not require additional bleed resistor to start up the chip.
- 2.) The current of RAC will program the automatic slope compensation for the system. This feedforward signal can increase the signal to noise ratio for the light load condition or the high input line voltage condition.

**Power Factor Correction**

Power factor correction makes a nonlinear load look like a resistive load to the AC line. For a resistor, the current drawn from the line is in phase with and proportional to the line voltage, so the power factor is unity (one). A common class of nonlinear load is the input of most power supplies, which use a bridge rectifier and capacitive input filter fed from the line. The peak-charging effect, which occurs on

the input filter capacitor in these supplies, causes brief high-amplitude pulses of current to flow from the power line, rather than a sinusoidal current in phase with the line voltage. Such supplies present a power factor to the line of less than one (i.e. they cause significant current harmonics of the power line frequency to appear at their input). If the input current drawn by such a supply (or any other nonlinear load) can be made to follow the input voltage in instantaneous amplitude, it will appear resistive to the AC line and a unity power factor will be achieved.

To hold the input current draw of a device drawing power from the AC line in phase with and proportional to the input voltage, a way must be found to prevent that device from loading the line except in proportion to the instantaneous line voltage. The PFC section of the CM6903A uses a boost-mode DC-DC converter to accomplish this. The input to the converter is the full wave rectified AC line voltage. No bulk filtering is applied following the bridge rectifier, so the input voltage to the boost converter ranges (at twice line frequency) from zero volts to the peak value of the AC input and back to zero.

By forcing the boost converter to meet two simultaneous conditions, it is possible to ensure that the current drawn from the power line matches the instantaneous line voltage. One of these conditions is that the output voltage of the boost converter must be set higher than the peak value of the line voltage. A commonly used value is 385VFB, to allow for a high line of 270VAC<sub>rms</sub>. The other condition is that the current that the converter is allowed to draw from the line at any given instant must be proportional to the line voltage.

**PFC Control: Leading Edge Modulation with Input Current Shaping Technique (I.C.S.T.)**

The only differences between the conventional PFC control topology and I.C.S.T. is:

the current loop of the conventional control method is a closed loop method and it requires a detailed understanding about the system loop gain to design. With I.C.S.T., since the current loop is an open loop, it is very straightforward to implement it.

The end result of any PFC system, the power supply is like a pure resistor at low frequency. Therefore, current is in phase with voltage.

In the conventional control, it forces the input current to follow the input voltage. In CM6903A, the chip thinks if a boost converter needs to behave like a low frequency resistor, what the duty cycle should be.

The following equations are what CM6903A tries to achieve:

$$R_e = \frac{V_{in}}{I_{in}} \quad (1)$$

$$\bar{I}_l = I_{in} \quad (2)$$



Equation 2 means: average boost inductor current equals to input current.

$$\therefore V_{in} \times \bar{I}_l \approx V_{out} \times \bar{I}_d \quad (3)$$

Therefore, input instantaneous power is about to equal to the output instantaneous power.

For steady state and for the each phase angle, boost converter DC equation at continuous conduction mode is:

$$\frac{V_{out}}{V_{in}} = \frac{1}{1-d} \quad (4)$$

Rearrange above equations, (1), (2),(3), and (4) in term of Vout and d, boost converter duty cycle and we can get average boost diode current equation (5):

$$\bar{I}_d = (1-d)^2 \times V_{out} / R_e \quad (5)$$

Also, the average diode current can be expressed as:

$$\bar{I}_d = \frac{1}{T_{sw}} \int_0^{T_{off}} I_d(t) \cdot dt \quad (6)$$

If the value of the boost inductor is large enough, we can assume  $I_d(t) \sim I_d$ . It means during each cycle or we can say during the sampling, the diode current is a constant.

Therefore, equation (6) becomes:

$$\bar{I}_d = I_d \times \frac{t_{off}}{T_{sw}} = I_d \times d' = I_d \times (1-d) \quad (7)$$

Combine equation (7) and equation (5), and we get:

$$I_d \times d' = (d')^2 \times V_{out} / R_e$$

$$\therefore I_d = d' \times V_{out} / R_e \quad (8)$$

$$\therefore I_d = \frac{V_{out}}{R_e} \times \frac{t_{off}}{T_{sw}}$$

From this simple equation (8), we implement the PFC control section of the CM6903A.

### Leading/Trailing Modulation

Conventional Pulse Width Modulation (PWM) techniques employ trailing edge modulation in which the switch will turn ON right after the trailing edge of the system clock. The error amplifier output is then compared with the modulating ramp. When the modulating ramp reaches the level of the error amplifier output voltage, the switch will be turned OFF. When the switch is ON, the inductor current will ramp up. The effective duty cycle of the trailing edge modulation is determined during the ON time of the switch. Figure 2 shows a typical trailing edge control scheme.

In case of leading edge modulation, the switch is turned OFF right at the leading edge of the system clock. When the modulating ramp reaches the level of the error amplifier output voltage, the switch will be turned ON. The effective duty-cycle of the leading edge modulation is determined during OFF time of the switch. Figure 3 shows a leading edge control scheme.

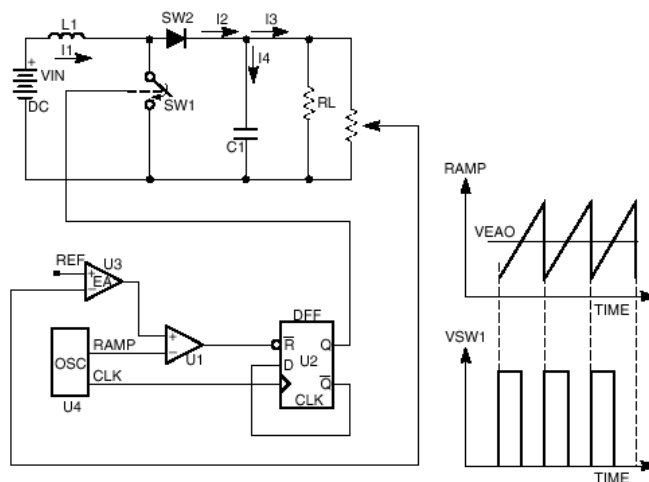


Figure 2. Typical Trailing Edge Control Scheme.

One of the advantages of this control technique is that it required only one system clock. Switch 1(SW1) turns OFF and switch 2 (SW2) turns ON at the same instant to minimize the momentary “no-load” period, thus lowering ripple voltage generated by the switching action. With such synchronized switching, the ripple voltage of the first stage is reduced. Calculation and evaluation have shown that the 120Hz component of the PFC’s output ripple voltage can be reduced by as much as 30% using this method, substantially reducing dissipation in the high-voltage PFC capacitor.

### Typical Applications

#### PFC Section:

##### PFC Voltage Loop Error Amp, VEAO

The ML4803 utilizes an one pin voltage error amplifier in the PFC section (VEAO). In the CM6903A, it is using the slew rate enhanced transconductance amplifier, which is the same as error amplifier in the CM6800. The unique transconductance profile can speed up the conventional transient response by 10 times. The internal reference of the VEAO is 2.5V. The input of the VEAO is VFB pin.

##### PFC Voltage Loop Compensation

The voltage-loop bandwidth must be set to less than 120Hz to limit the amount of line current harmonic distortion. A typical crossover frequency is 30Hz.

The Voltage Loop Gain (S)

$$= \frac{\Delta V_{OUT} * \Delta V_{FB} * \Delta V_{EAO}}{\Delta V_{EAO} \Delta V_{OUT} \Delta V_{FB}}$$

$$\approx \frac{P_{IN} * 2.5V}{V_{OUTDC}^2 * \Delta V_{EAO} * S * C_{DC}} * GM_V * Z_{CV}$$

$Z_{CV}$ : Compensation Net Work for the Voltage Loop

$GM_V$ : Transconductance of VEAO

$P_{IN}$ : Average PFC Input Power

$V_{OUTDC}$ : PFC Boost Output Voltage; typical designed value is 380V.

$C_{DC}$ : PFC Boost Output Capacitor

$\Delta V_{EAO}$ : This is the necessary change of the VEAO to deliver the designed average input power. The average value is 6V-3V=3V since when the input line voltage increases, the delta VEAO will be reduced to deliver the same to the output. To over compensate, we choose the delta VEAO is 3V.

##### Internal Voltage Ramp

The internal ramp current source is programmed by way of VEAO pin voltage. When VEAO increases the ramp current source is also increase. This current source is used to develop the internal ramp by charging the internal 30pF +12/-10% capacitor. The frequency of the internal programming ramp is set internally to 67kHz.

##### Design PFC ISENSE Filtering

###### ISENSE Filter, the RC filter between Rs and ISENSE:

There are 2 purposes to add a filter at ISENSE pin:

- 1.) Protection: During start up or inrush current conditions, it will have a large voltage cross  $R_s$ , which is the sensing resistor of the PFC boost converter. It requires the ISENSE Filter to attenuate the energy.
- 2.) Reduce L, the Boost Inductor: The ISENSE Filter also can reduce the Boost Inductor value since the ISENSE Filter behaves like an integrator before going ISENSE which is the input of the current error amplifier, IEAO.

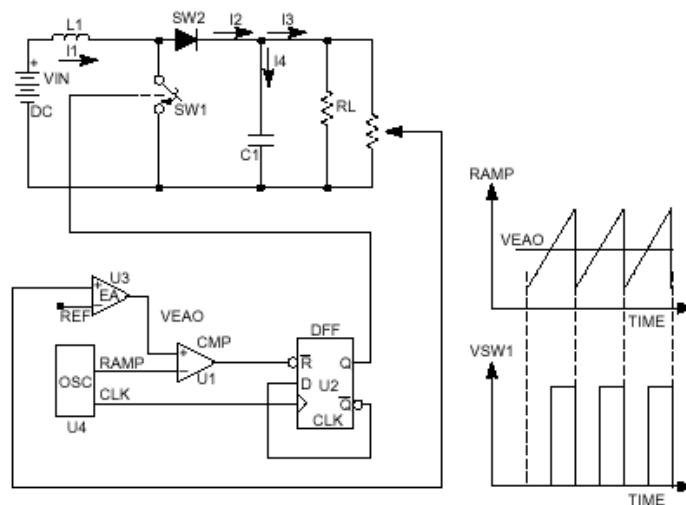


Figure 3 Typical Leading Edge Control Scheme

The  $I_{SENSE}$  Filter is a RC filter. The resistor value of the  $I_{SENSE}$  Filter is between 100 ohm and 50 ohm. By selecting  $R_{FILTER}$  equal to 50 ohm will keep the offset of the IEAO less than 5mV. Usually, we design the pole of  $I_{SENSE}$  Filter at  $f_{pfc}/6$ , one sixth of the PFC switching frequency. Therefore, the boost inductor can be reduced 6 times without disturbing the stability. Therefore, the capacitor of the  $I_{SENSE}$  Filter,  $C_{FILTER}$ , will be around 283nF.

IAC,  $R_{AC}$ , Automatic Slope Compensation, DCM at high line and light load, and Startup current

There are 4 purposes for IAC pin:

- 1.) For the leading edge modulation, when the duty cycle is less than 50%, it requires the similar slope compensation, as the duty cycle of the trailing edge modulation is greater than 50%. In the CM6903A, it is a relatively easy thing to design. Use a more than 800K ohm resistor for your demand,  $R_{AC}$  to connect IAC pin and the rectified line voltage. It will do the automatic slope compensation. If the input boost inductor is too small, the  $R_{AC}$  may need to be reduced more.
- 2.) During the startup period,  $R_{AC}$  also provides the initial startup current, 100uA; therefore, the bleed resistor is not needed.
- 3.) Since IAC pin with  $R_{AC}$  behaves as a feedforward signal, it also enhances the signal to noise ratio and the THD of the input current.
- 4.) It also will try to keep the maximum input power to be constant. However, the maximum input power will still go up when the input line voltage goes up.

### Start Up of the system, UVLO, and VREFOK

During the Start-up period,  $R_{AC}$  resistor will provide the start up current~100uA from the rectified line voltage to IAC pin. Inside of CM6903A during the start-up period, IAC is connected to VCC until the VCC reaches UVLO voltage which is 13V and internal reference voltage is stable, it will disconnect itself from VCC.

### PFC section wakes up after Start up period

After Start up period, PFC section will softly start since VEAO is zero before the start-up period. Since VEAO is a slew rate enhanced transconductance amplifier (see figure 3), VEAO has a high impedance output like a current source and it will slowly charge the compensation network which needs to be designed by using the voltage loop gain equation.

Before PFC boost output reaches its design voltage, it is around 380V and VFB reaches 2.5V, PWM section is off.

### PWM section wakes up after PFC reaches steady state

PWM section is off all the time before PFC VFB reaches 2.45V. Then internal 10mS digital PWM soft start circuit slowly ramps up the soft-start voltage.

### PFC OVP Comparator

PFC OVP Comparator sense VFB pin which is the same the voltage loop input. The good thing is the compensation network is connected to VEAO. The PFC OVP function is a relative fast OVP. It is not like the conventional error amplifier which is an operational amplifier and it requires a local feedback and it make the OVP action becomes very slow.

The threshold of the PFC OVP is  $2.5V+10\% = 2.75V$  with 250mV hysteresis.

### Tri-Fault Detect Comparator

To improve power supply reliability, reduce system component count, and simplify compliance to UL1950 safety standards, the CM6903A includes Tri-Fault Detect. This feature monitors VFB (Pin 8) for certain PFC fault conditions.

In case of a feedback path failure, the output of the PFC could go out of safe operating limits. With such a failure, VFB will go outside of its normal operating area. Should VFB go too low, too high, or open, Tri-Fault Detect senses the error and terminates the PFC output drive.

Tri-Fault detect is an entirely internal circuit. It requires no external components to serve its protective function.

### VCC OVP and generate VCC

For the CM6903A system, if VCC is generated from a source that is proportional to the PFC output voltage and once that source reaches 17.9V, PFCOUT, PFC driver will be off.

The VCC OVP resets once the VCC discharges below 16.4V, PFC output driver is enabled. It serves as redundant PFC OVP function.

Typically, there is a bootstrap winding off the boost inductor. The VCC OVP comparator senses when this voltage exceeds 17.9V, and terminates the PFC output drive. Once the VCC rail has decreased to below 16.4V the PFC output drive be enabled. Given that 16V on VCC corresponds to 380V on the PFC output, 17.9V on VCC corresponds to an OVP level of 460V.

It is a necessary to put RC filter between bootstrap winding and VCC. For VCC=13V, it is sufficient to drive either a power MOSFET or a IGBT.

### UVLO

The UVLO threshold is 13V providing 3V hysteresis.

### PFCOUT and PWMOUT

Both PFCOUT and PWMOUT are CMOS drivers. They both have adaptive anti-shoot through to reduce the switching loss. Its pull-up is a 30ohm PMOS driver and its pull-down is a 15ohm NMOS driver. It can source 0.5A and sink 1A if the VCC is above 13V.

### PWM Section

After 10mS digital soft start, CM6903A's PWM is operating as a typical current mode. It requires a secondary feedback, typically, it is configured with CM431, and photo couple.

Since PWM Section is different from CM6800 family, it needs the emitter of the photo couple to connected with DCILIMIT instead of the collector. The PWM current information also goes into DCILIMIT. Usually, the PWM current information requires a RC filter before goes into the DCILIMIT.

Therefore, DCILIMIT actually is a summing node from voltage information which is from photo couple and CM431 and current information which is from one end of PWM sensing resistor and the signal goes through a single pole, RC filter then enter the DCILIMIT pin.

This RC filter at DCILIMIT also serves several functions:

- 1.) It protects IC.
- 2.) It provides level shift for voltage information.
- 3.) It filters the switching noise from current information.

The pole location of the RC filter should be greater than one sixth of the PWM switching frequency which is 67Khz for CM6903A and which is 134Khz for CM6903A. Since the typical photo couple should be biased around 1mA, the resistor of the RC filter should be around  $1.5V/1mA \sim 1.5K$  ohm and we suggest R is 1K ohm. Therefore, for CM6903A, C should be around 14nF.

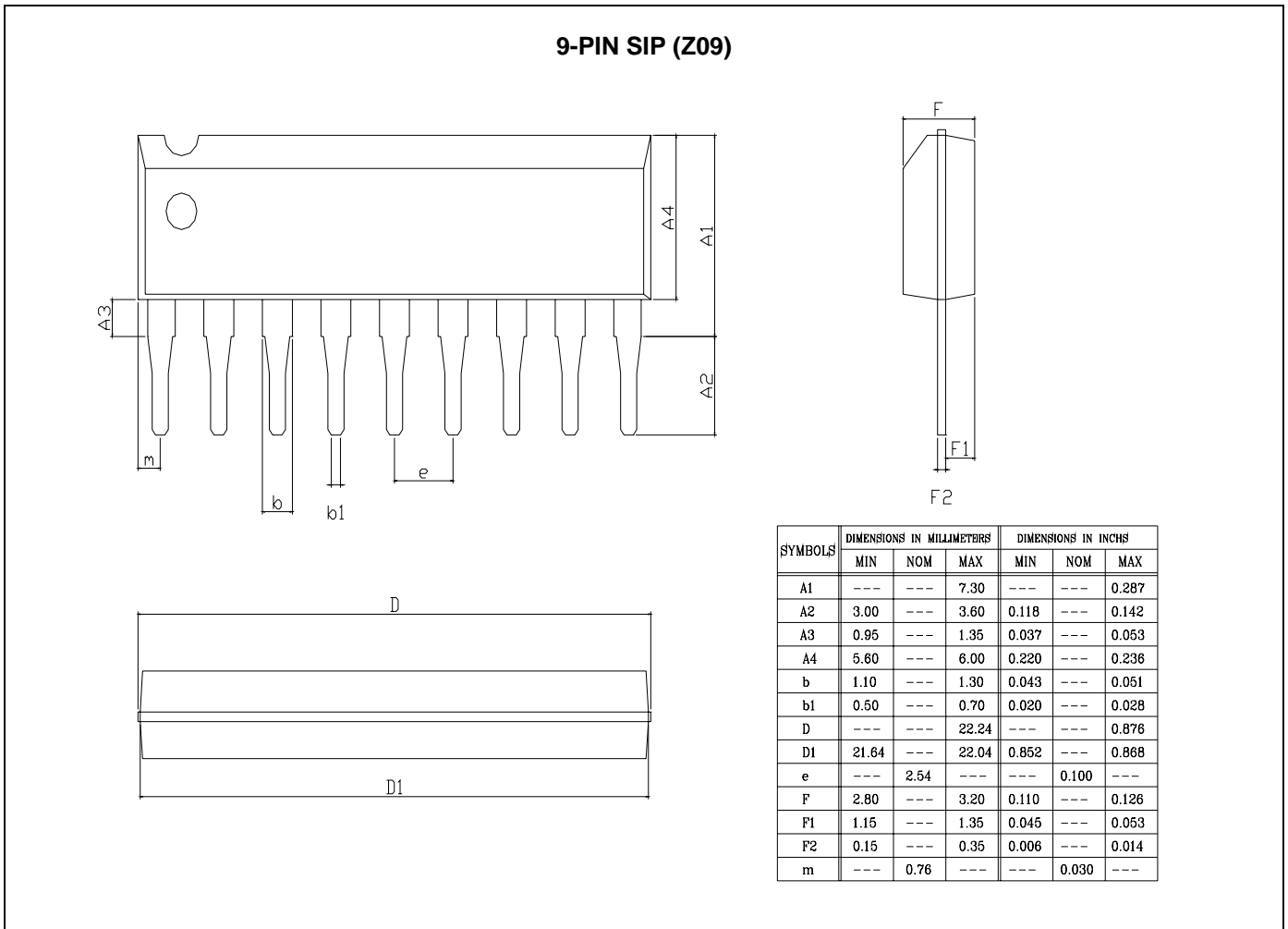
The maximum input voltage of the DCILIMIT pin is 1.5V.

### Component Reduction

Components associated with the VRMS and IEAO pins of a typical PFC controller such as the CM6800 have been eliminated. The PFC power limit and bandwidth does vary with line voltage. Double the power can be delivered from a 220V AC line versus a 110V AC line. Since this is a combination PFC/PWM, the power to the load is limited by the PWM stage.



### PACKAGE DIMENSION



## IMPORTANT NOTICE

Champion Microelectronic Corporation (CMC) reserves the right to make changes to its products or to discontinue any integrated circuit product or service without notice, and advises its customers to obtain the latest version of relevant information to verify, before placing orders, that the information being relied on is current.

A few applications using integrated circuit products may involve potential risks of death, personal injury, or severe property or environmental damage. CMC integrated circuit products are not designed, intended, authorized, or warranted to be suitable for use in life-support applications, devices or systems or other critical applications. Use of CMC products in such applications is understood to be fully at the risk of the customer. In order to minimize risks associated with the customer's applications, the customer should provide adequate design and operating safeguards.

### **HsinChu Headquarter**

5F, No. 11, Park Avenue II,  
Science-Based Industrial Park,  
HsinChu City, Taiwan

T E L : +886-3-567 9979  
F A X : +886-3-567 9909  
<http://www.champion-micro.com>

### **Sales & Marketing**

7F-6, No.32, Sec. 1, Chenggong Rd.,  
Nangang District, Taipei City 115,  
Taiwan, R.O.C.

T E L : +886-2-2788 0558  
F A X : +886-2-2788 2985