

## GENERAL DESCRIPTION

The CM8566 is a low cost linear regulator designed to provide a desired output voltage or termination voltage for various applications by converting voltage supplies ranging from 1.6V to 6.0V. The desired output voltage could be programmable by two external voltage divider resistors.

The CM8566 is capable of sourcing or sinking up to 2A of current while regulating an output VOUT voltage .

The CM8566 provides low profile 8-pin SOIC package to save system space.

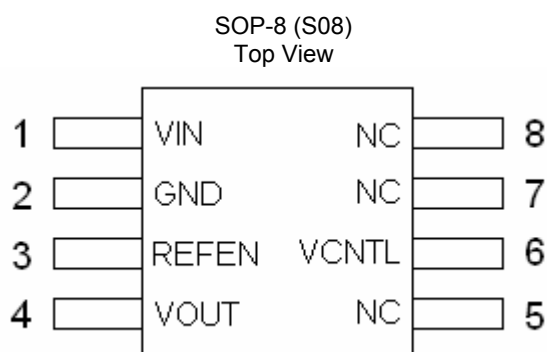
## FEATURES

- ◆ 8-pin SOIC w/ power pad package
- ◆ 2 ways to adjust the output, VOUT with VFB pin
- ◆ Source and sink up to 2A , no heat sink required
- ◆ Integrated power MOSFETs
- ◆ Programmable output voltage by external resistors
- ◆ Output voltage could go down to 0.6V
- ◆ Iccq at VCCA less than 500uA
- ◆ Current limit protection and Short Circuit protection
- ◆ Thermal shutdown protection
- ◆ Shutdown for standby or suspend mode operation
- ◆ Minimum external components

## APPLICATIONS

- ◆ Mother Board
- ◆ PCI/AGP Graphics
- ◆ Game/ Play Station
- ◆ Set Top Box
- ◆ IPC
- ◆ SCSI-III Bus terminator

## PIN CONFIGURATION

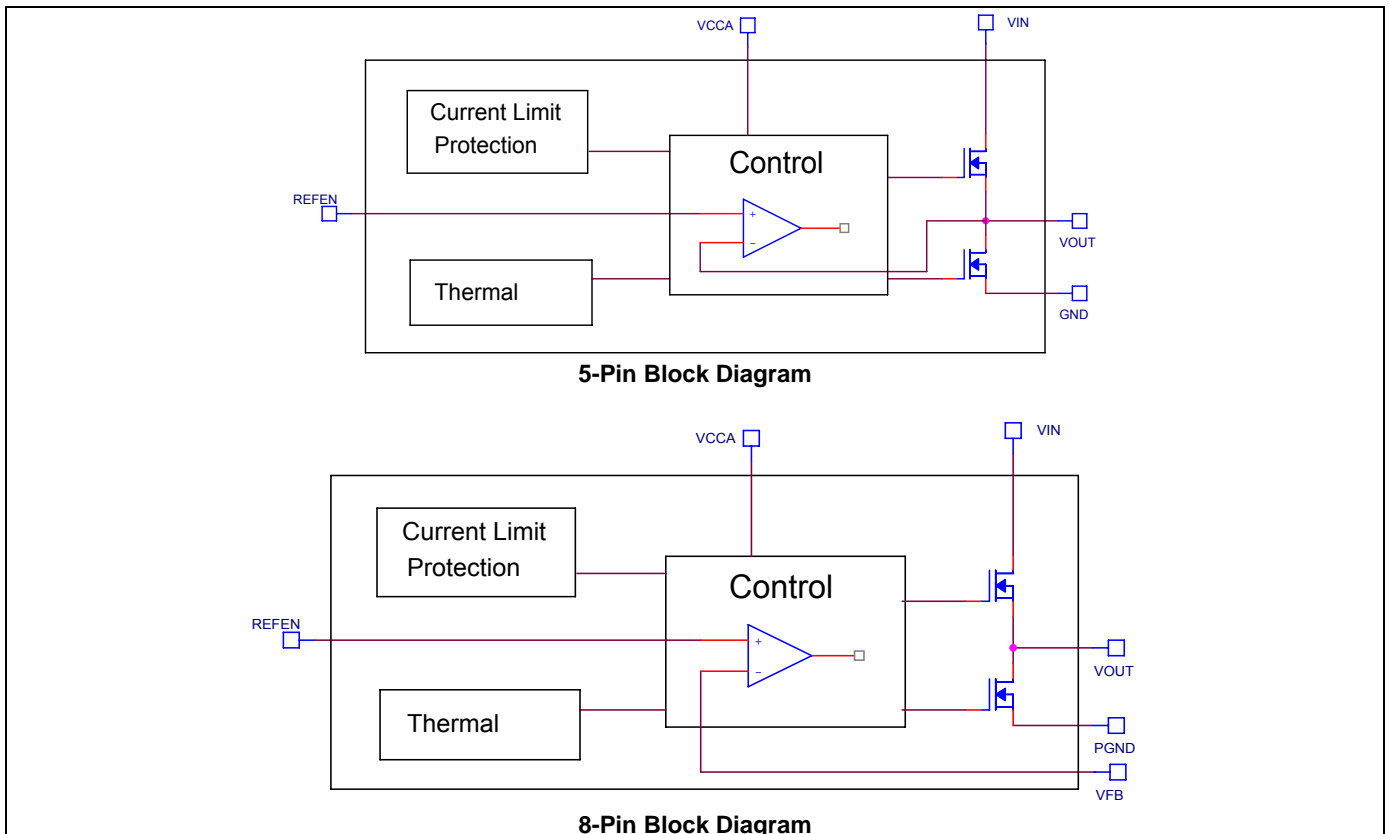


**PIN DESCRIPTION**

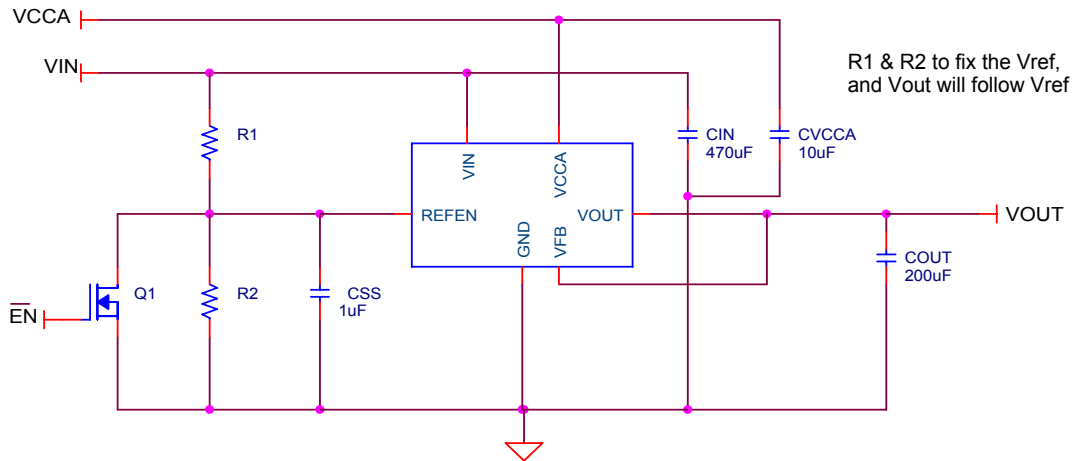
Pin No.	Symbol	Description	Operating Rating			
			Min.	Typ.	Max.	Unit
8-Pin						
1	VIN	Input Power		2.5/1.8	6	V
2	GND	Power Ground				
3	REFEN	Reference Voltage Input and Chip Enable			6	V
4	VOUT	Output Voltage			6	V
5/7/8	NC					
6	V <sub>CNTL</sub>	Voltage supply for internal circuits			6	V

**ORDERING INFORMATION**

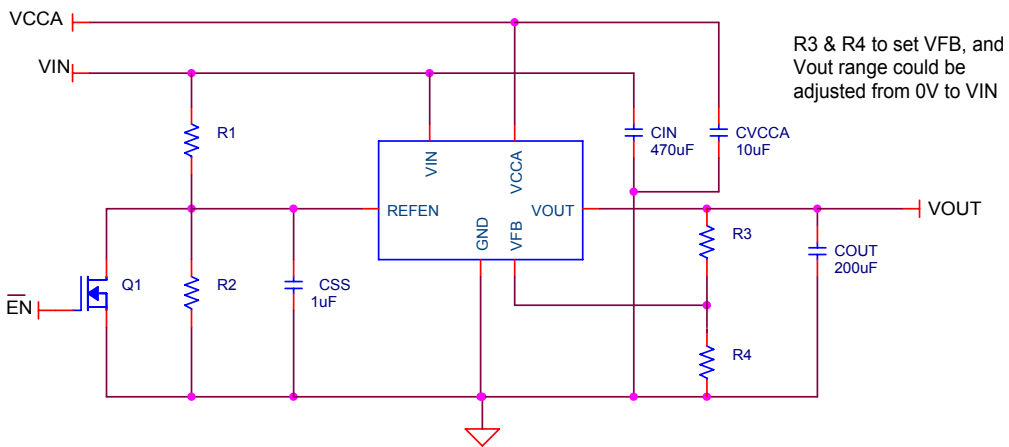
Part Number	Temperature Range	Package
CM8566IS	-40°C to 85°C	8-Pin SOP (S08)
CM8566GIS	-40°C to 85°C	8-Pin SOP (S08)

**BLOCK DIAGRAM**


### APPLICATION CIRCUITS



**Application Circuit as Fixed LDO**



**Application Circuit as Adjustable LDO**

## ABSOLUTE MAXIMUM RATINGS

Absolute maximum ratings are those values beyond which the device could be permanently damaged.

V <sub>IN</sub> , V <sub>CCA</sub> , V <sub>FB</sub> .....	6V	Lead Temperature (Soldering, 5 sec).....	260°C
Output RMS Current, Source or Sink .....	2A	Thermal Resistance( $\theta_{JC}$ ).....	14°C/W (PSOP-8)
Storage Temperature .....	-65°C to 125°C	Thermal Resistance( $\theta_{JA}$ ).....	75°C/W

**ELECTRICAL CHARACTERISTICS** (Unless otherwise stated, these specifications apply T<sub>A</sub>=25°C; V<sub>IN</sub>=+2.5V and V<sub>CCA</sub>=+3.3V, V<sub>REFEN</sub>=1.25V) maximum ratings are stress ratings only and functional device operation is not implied. (Note 1)

Symbol	Parameter	Test Conditions	CM8566			Unit
			Min.	Typ.	Max.	
V <sub>OS</sub>	Output Offset Voltage	I <sub>OUT</sub> =0A (Note 2)	-20	-5	20	mV
$\Delta V_{LOAD}$	Load Regulation (DDR I/II)	I <sub>L</sub> : 0A -> 2A	--	0.5	2	%
		I <sub>L</sub> : 0A -> -2A	--	0.5	2	
I <sub>SHDN</sub>	Current in Shutdown Mode	REFEN<0.2V, R <sub>L</sub> = 180Ω	--	1	90	μA
V <sub>IN</sub>	Input Voltage Range (DDR I/II)	Keep V <sub>CNTL</sub> ≥ V <sub>IN</sub> on operation power on and power off sequences	1.6	2.5/1.8	--	V
V <sub>CNTL</sub>				3.3	6	
<b>SHORT CIRCUIT PROTECTION</b>						
I <sub>LIMIT</sub>	Current Limit		--	2.5	--	A
I <sub>Q</sub>	Quiescent Current	I <sub>L</sub> =2.0A	--	1.4	3	mA
<b>OVER THERMAL PROTECTION</b>						
T <sub>CASE</sub>	Thermal Shutdown Temperature	3.3V ≤ V <sub>CNTL</sub> ≤ 5V	--	100	--	°C
	Thermal Shutdown Hysterresis	Guaranteed by design	--	30	--	°C
<b>SHUTDOWN FUNCTION</b>						
	Shutdown Threshold Trigger	Output = High	0.8	--	--	V
		Output = Low	--	--	0.2	

**Note 1:** Exceeding the absolute maximum rating may damage the device.

**Note 2:** V<sub>OS</sub> Offset is the voltage measurement defined as V<sub>OUT</sub> subtracted from V<sub>REFEN</sub>.

### FUNCTIONAL DESCRIPTION

The CM8566 is a linear regulator that is capable of sinking and sourcing 2A of current without an external heat sink.

The CM8566 integrates power MOSFETs that are capable of source and sink 2A of current while maintaining excellent voltage regulation. The output voltage can be regulated within 3% or less by using the external feedback. Separate voltage supply inputs have been added to fit applications with various power supplies for the databus and power buses.

#### OUTPUTS

The output voltage pins (VOUT) are tied to the databus, address, or clock lines via an external inductor. Output voltage is determined by the VIN.

#### INPUTS

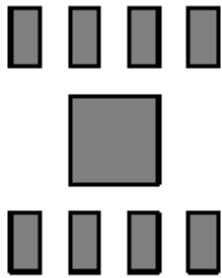
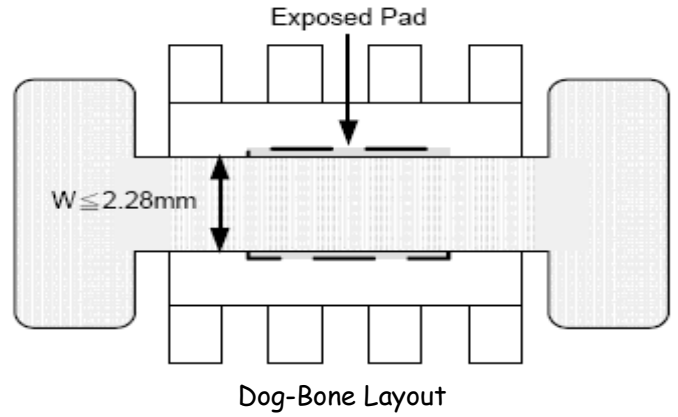
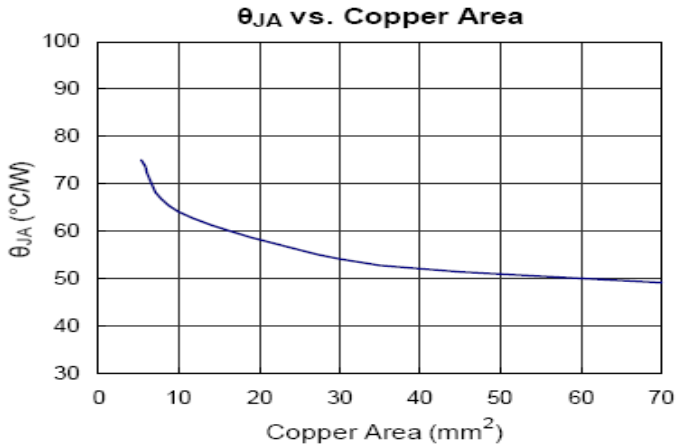
The input voltage pins (VIN) determine the output voltages (VOUT). At CM8566, the desired output voltage could be programmable by two external voltage divider resistors. VIN is suggested to connect to VDDQ of memory module for better tracking with memory VDDQ.

#### OTHER SUPPLY VOLTAGES

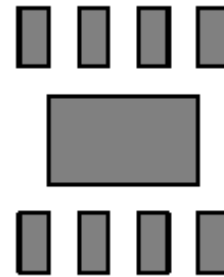
VCCA provide the voltage supply to the logic section and internal error amplifiers of CM8566.

DIFFERENT HEATSINK AREA

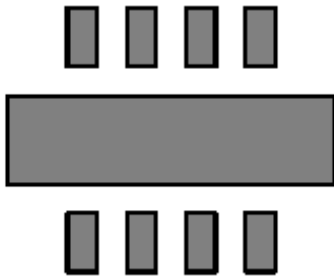
Thermal Resistance vs. Different Cooper Area Layout Design



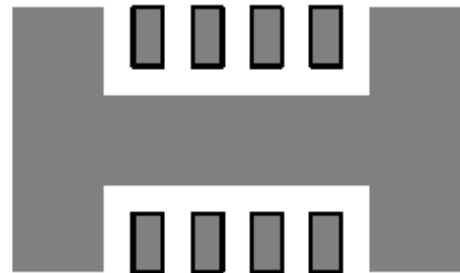
Minimum Footprint,  $\theta_{JA} = 75^{\circ}\text{C}/\text{W}$



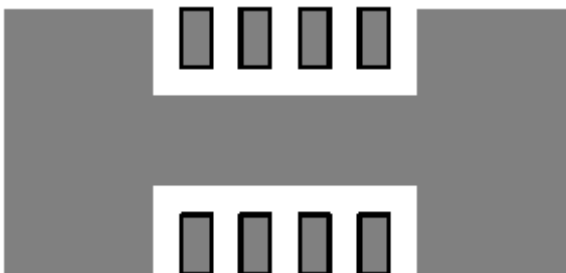
Copper Area =  $10\text{mm}^2$ ,  $\theta_{JA} = 64^{\circ}\text{C}/\text{W}$



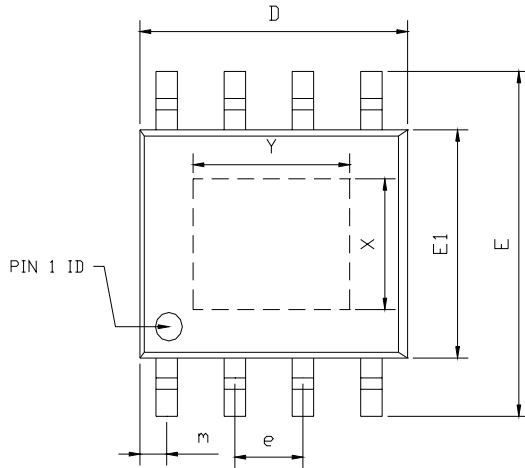
Copper Area =  $30\text{mm}^2$ ,  $\theta_{JA} = 54^{\circ}\text{C}/\text{W}$



Copper Area =  $50\text{mm}^2$ ,  $\theta_{JA} = 51^{\circ}\text{C}/\text{W}$

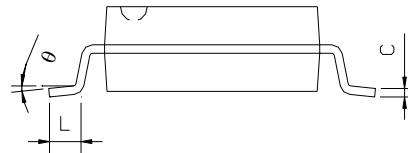
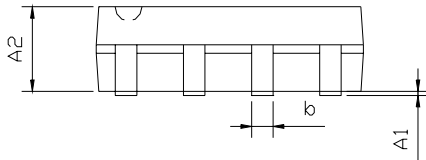


Copper Area =  $70\text{mm}^2$ ,  $\theta_{JA} = 49^{\circ}\text{C}/\text{W}$

**PACKAGE DIMENSION**
**8-Pin SOP w/ Power Pad (PS08)**


SYMBOLS	DIMENSIONS IN MILLIMETERS			DIMENSIONS IN INCHS		
	MIN	NOM	MAX	MIN	NOM	MAX
A1	0.10	---	0.25	0.004	---	0.010
A2	1.40	---	1.55	0.055	---	0.061
b	0.30	---	0.51	0.012	---	0.020
C	0.15	---	0.26	0.006	---	0.010
D	4.60	---	5.06	0.169	---	0.199
E	5.79	---	6.20	0.228	---	0.244
E1	3.76	---	4.01	0.148	---	0.158
e	---	1.27	---	---	0.050	---
L	0.38	---	0.69	0.015	---	0.035
m	0.43	---	0.69	0.017	---	0.027
θ	0°	---	8°	0°	---	8°

EXPOSED PAD DIMENSION : (mm)  
 PAD SIZE: X=2.34 ; Y=2.92



**IMPORTANT NOTICE**

Champion Microelectronic Corporation (CMC) reserves the right to make changes to its products or to discontinue any integrated circuit product or service without notice, and advises its customers to obtain the latest version of relevant information to verify, before placing orders, that the information being relied on is current.

A few applications using integrated circuit products may involve potential risks of death, personal injury, or severe property or environmental damage. CMC integrated circuit products are not designed, intended, authorized, or warranted to be suitable for use in life-support applications, devices or systems or other critical applications. Use of CMC products in such applications is understood to be fully at the risk of the customer. In order to minimize risks associated with the customer's applications, the customer should provide adequate design and operating safeguards.

**HsinChu Headquarter**

5F, No. 11, Park Avenue II,  
Science-Based Industrial Park,  
HsinChu City, Taiwan 300

TEL: +886-3-567 9979

FAX: +886-3-567 9909

<http://www.champion-micro.com>

**Sales & Marketing**

11F, No. 306-3, Sec. 1, Ta Tung Rd.,  
Hsichih, Taipei Hsien,  
Taiwan 221

TEL: +886-2-8692 1591

FAX: +886-2-8692 1596