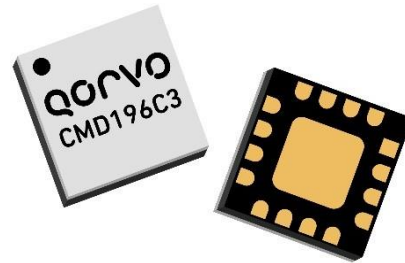
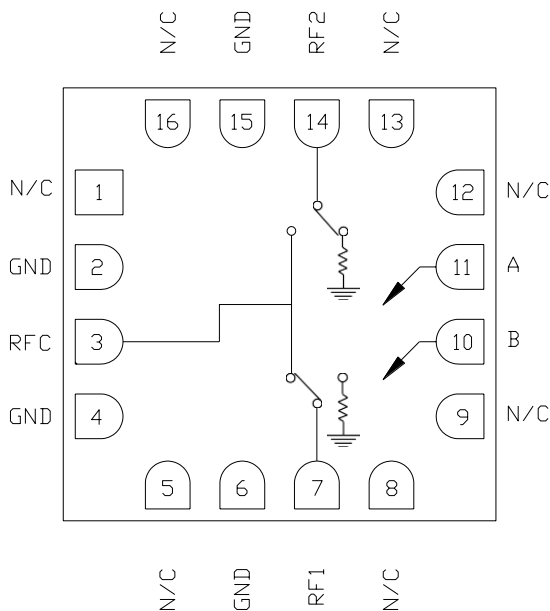


Product Overview

The CMD196C3 is a general-purpose broadband high isolation non-reflective MMIC SPDT switch housed in a leadless 3x3 mm surface mount package. Covering DC to 18 GHz, the CMD196C3 features a low insertion loss of 1.5 dB and high isolation of 46 dB at 8 GHz. The CMD196C3 operates using complementary control voltage logic lines of 0/-5 V and requires no bias supply.



Functional Block Diagram



Key Features

- Low Loss Broadband Performance
- High Isolation
- Fast Switching Speed
- Non-Reflective Design
- Pb-Free RoHs Compliant 3x3 SMT Package

Ordering Information

Part No.	Description
CMD196C3	500 Piece 7" Reel
CMD196C3-EVB	1 Piece Bag

Electrical Performance ($V_{ctl} = 0/-5\text{ V}$, $T_A = 25^\circ\text{ C}$, $F = 8\text{ GHz}$)

Parameter	Min	Typ	Max	Units
Frequency Range		DC - 18		GHz
Insertion Loss		1.5		dB
Isolation		46		dB
Return Loss - On State		17		dB
Return Loss RF1, RF2 - Off State		17		dB
Input P_{1dB}		23		dBm
Switching Characteristics				
tRISE, tFALL (10/90% RF)		1.8		ns
tON, tOFF (50% CTL to 10/90% RF)		11/4		ns

Absolute Maximum Ratings

Parameter	Rating
RF Input Power	+27 dBm
Control Voltage Range (A, B)	+0.5V to -7.5V
Channel Temperature, T _{ch}	150° C
Operating Temperature	-40 to 85° C
Storage Temperature	-55 to 150° C
Thermal Resistance, θ_{JC} (insertion loss path)	103° C/W
Thermal Resistance, θ_{JC} (terminated path)	258° C/W
Terminated Power Level ($V_{ctl} = -5$ V, CW)	+24 dBm

Exceeding any one or combination of the maximum ratings may cause permanent damage to the device.

Control Voltages

State	Bias Condition
Low	0 to -0.5V @ 1 uA Typ.
High	-3V @ 1 uA to -7V @ 6 uA Typ.

Truth Table

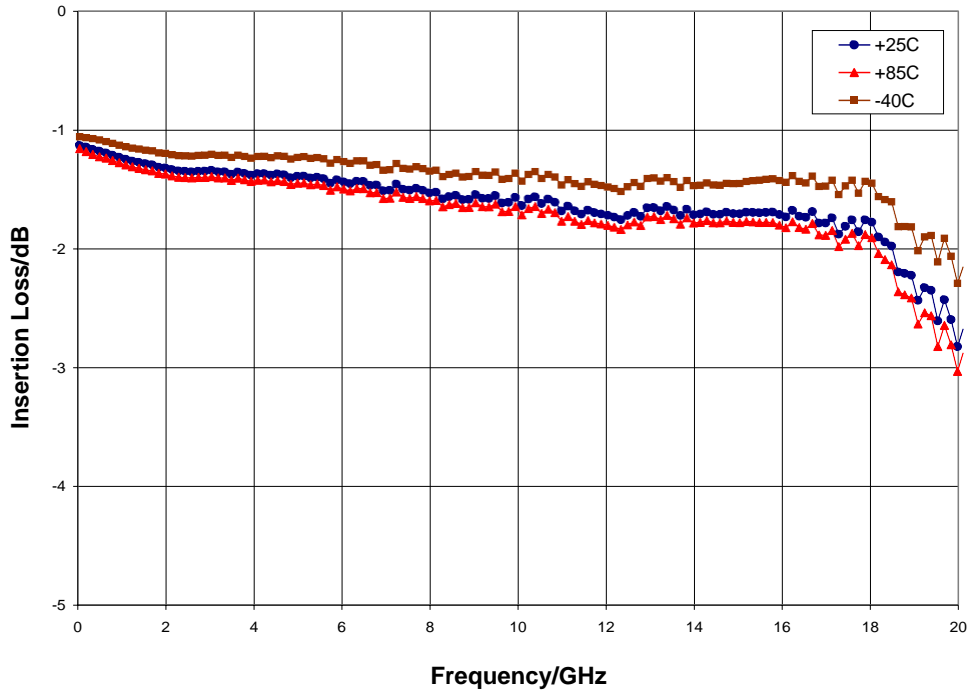
Control Input		Signal Path State	
A	B	RFC to RF1	RFC to RF2
High	Low	On	Off
Low	High	Off	On

Electrical Specifications ($V_{ctl} = 0/-5$ V, $T_A = 25^\circ$ C)

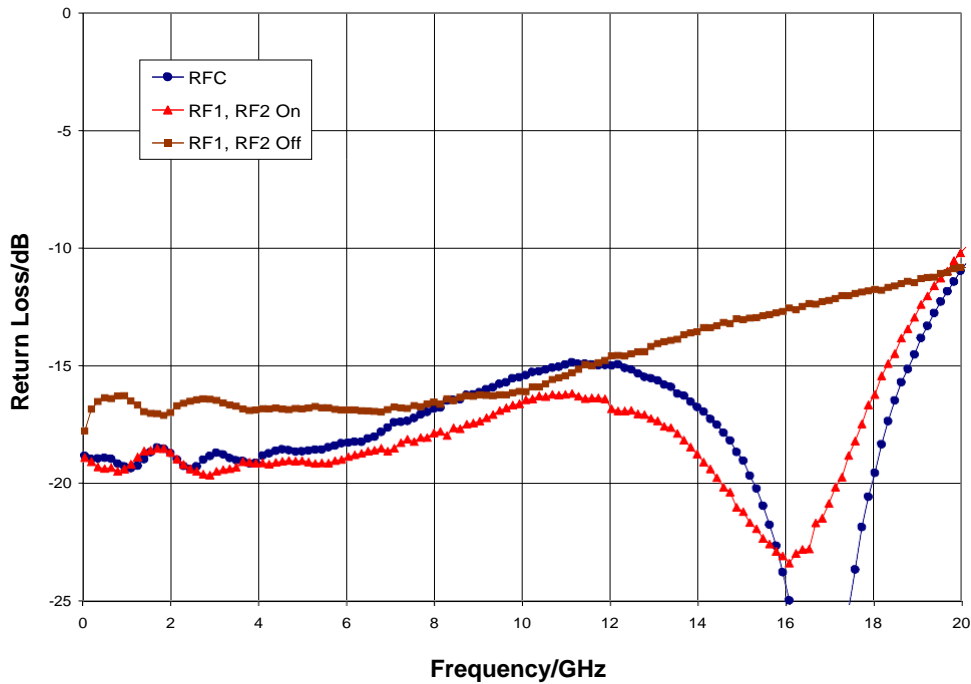
Parameter	Min	Typ.	Max	Min	Typ.	Max	Min	Typ.	Max	Units
Frequency Range	DC - 8			DC - 14			DC - 18			GHz
Insertion Loss		1.5	1.9		1.7	2.1		1.8	2.2	dB
Isolation	41	46		40	45		32	37		dB
Return Loss - On State		18			15			17		dB
Return Loss - RF1, 2 - Off State		17			15			12		dB
Input P _{1dB}		23			23			23		dBm
Input IP3		37			38			38		dBm
Switching Characteristics										
tRISE, tFALL (10/90% RF)		1.8			1.8			1.8		ns
tON, tOFF (50% CTL to 10/90% RF)		11/4			11/4			11/4		ns

Typical Performance

Insertion Loss vs. Temperature

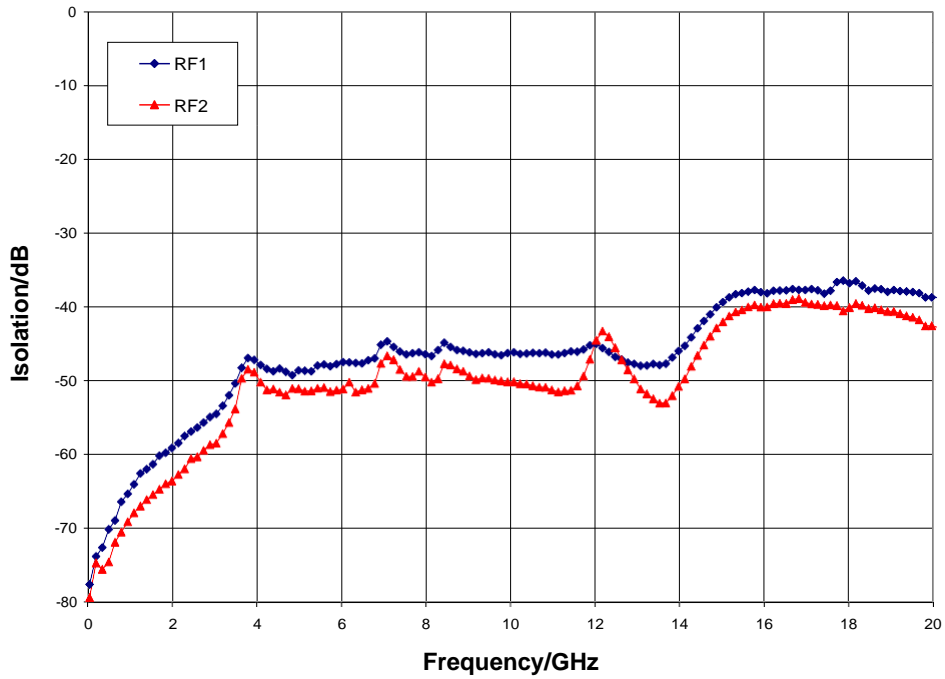


Return Loss

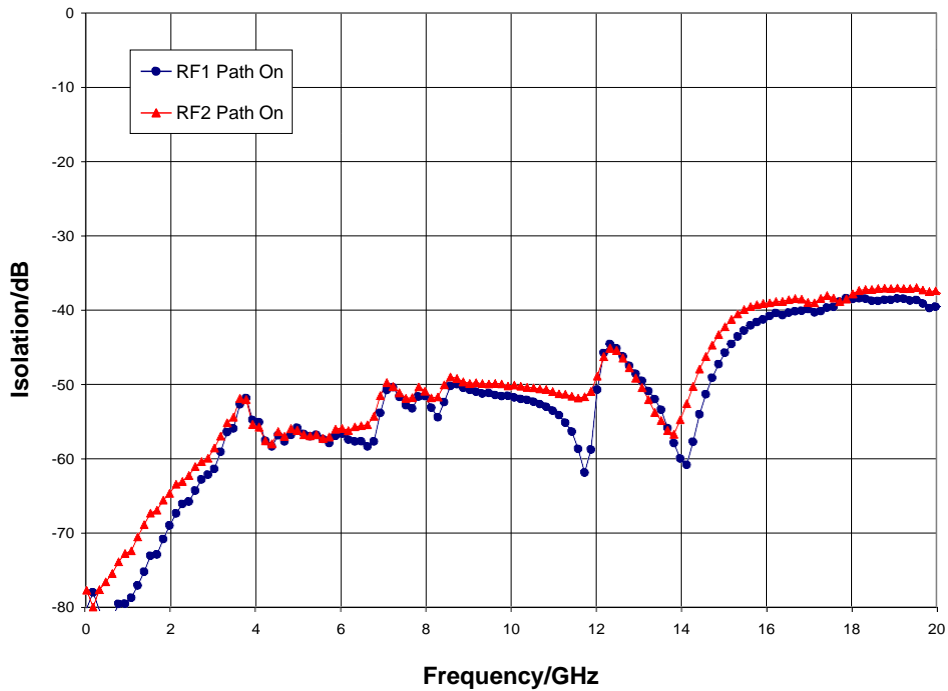


Typical Performance

Isolation Between Ports RFC and RF1/RF2

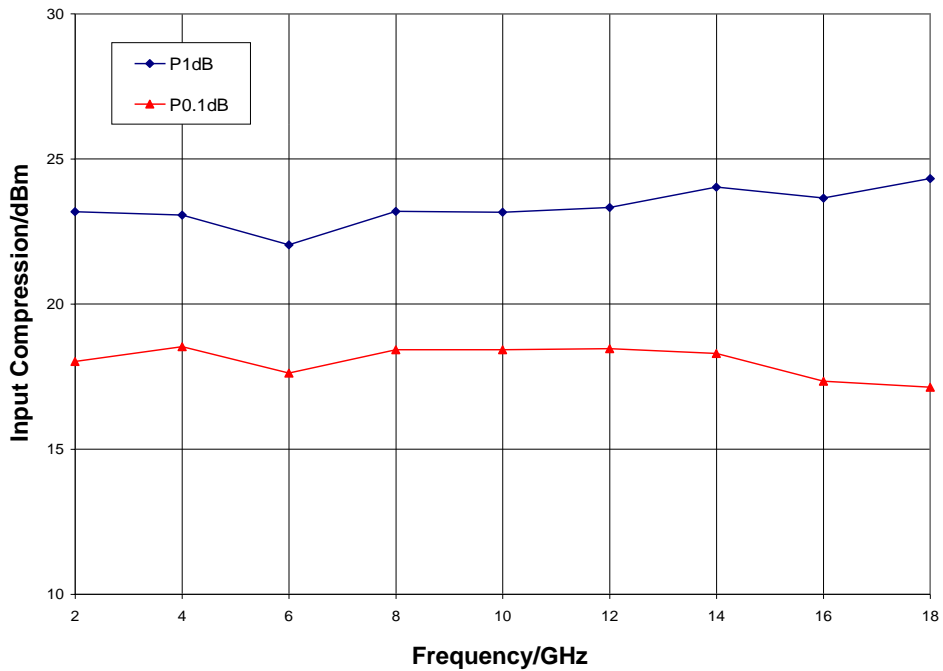


Isolation Between Ports RF1 and RF2

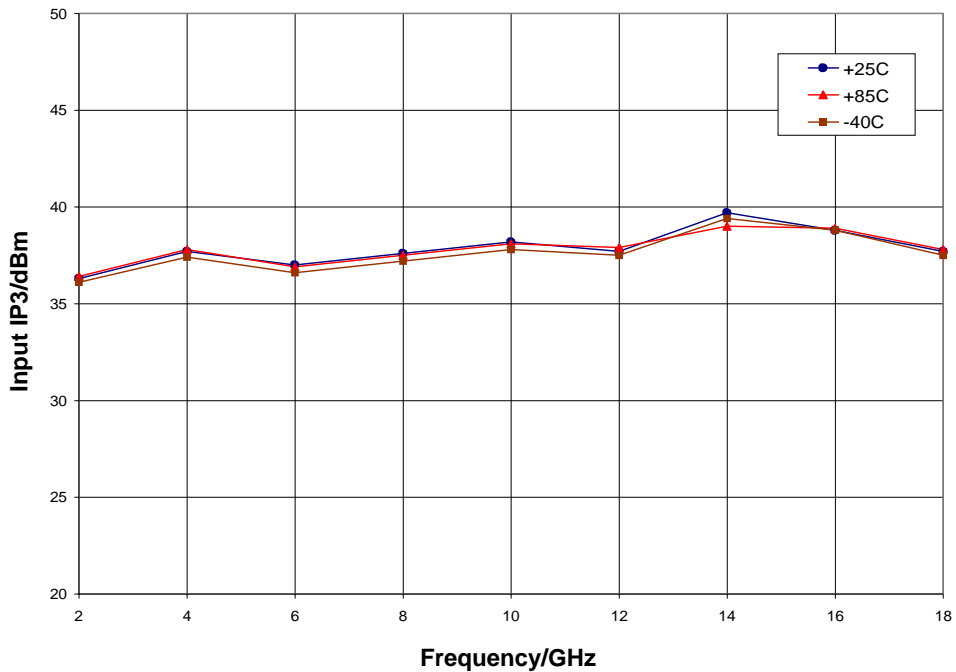


Typical Performance

Input P1dB and P0.1dB Compression Point

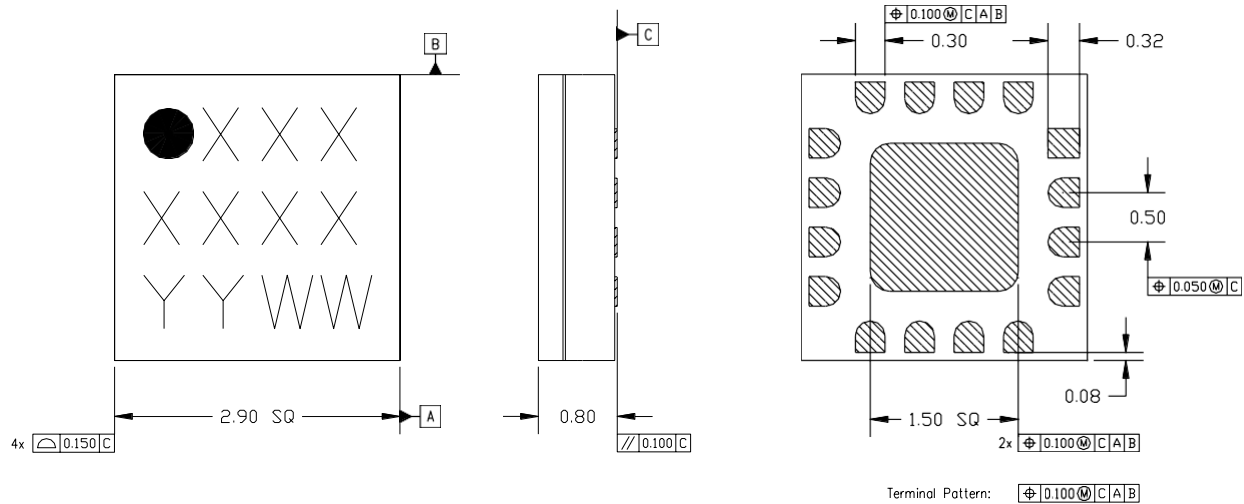


Input Third Order Intercept Point



Mechanical Information

Package Information and Dimensions



Notes:

1. All dimensions shown in mm.
2. Material: Black alumina
3. Lead finish:
 - 3.1. Ni: 8.89um max, 1.27um min
 - 3.2. Pd: 0.17um max, 0.07um min
 - 3.3. Au: 0.254um max, 0.03um min
4. Marking
 - 4.1. Line 1: Part number
 - 4.1.1. Example: CMD196C3 shall be marked as 196
 - 4.2. Line 2: Lot number
 - 4.3. Line 3: Date code - Last 2 digits of the year of manufacture followed by a 2-digit week code
5. Alternate pin #1 identifier is a single square pad
6. Alternate die paddle may have chamfered corners

Recommended PCB Land Pattern

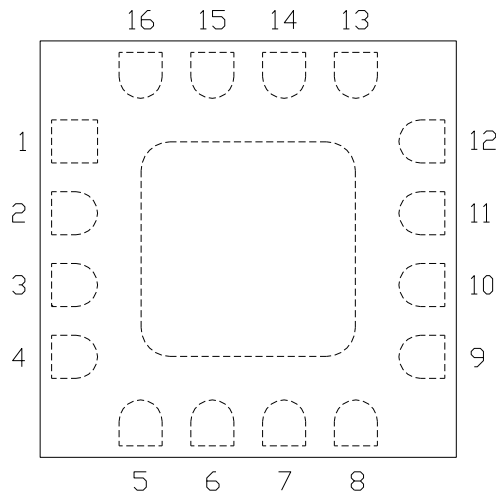
Qorvo recommends that the user develop the land pattern that will provide the best design for proper solder reflow and device attach for their specific application. Please review Qorvo Application Note AN 105 for a recommended land pattern approach.

Recommended Solder Reflow Profile

Qorvo recommends screen printing with belt furnace reflow to ensure proper solder reflow and device attach. Please review Qorvo Application Note AN 102 for a recommended solder reflow profile.

Pin Description

Pin Diagram

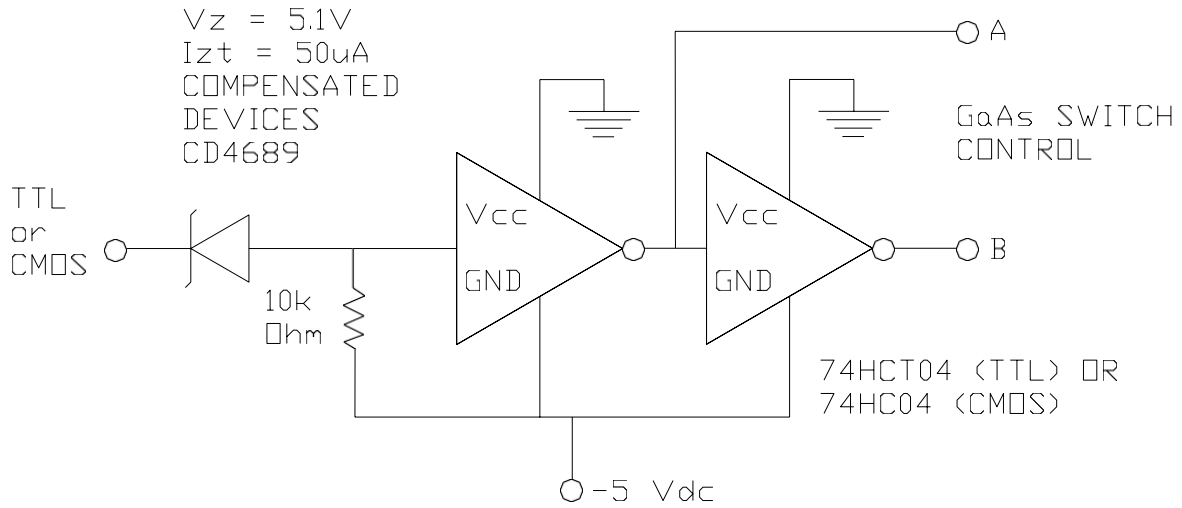


Functional Description

Pin	Function	Description	Schematic
1, 5, 8, 9, 12, 13, 16	N/C	No connection required These pins may be connected to RF / DC ground	
2, 4, 6, 15 and die paddle	Ground	Connect to RF / DC ground	
3, 7, 14	RFC, RF1, RF2	These pins are DC coupled and matched to 50 ohm Blocking capacitors are required if RF line potential is not equal to 0 V	
10	CTLB	See truth table and control voltage table	
11	CTLA	See truth table and control voltage table	

Applications Information

Suggested Driver Circuit

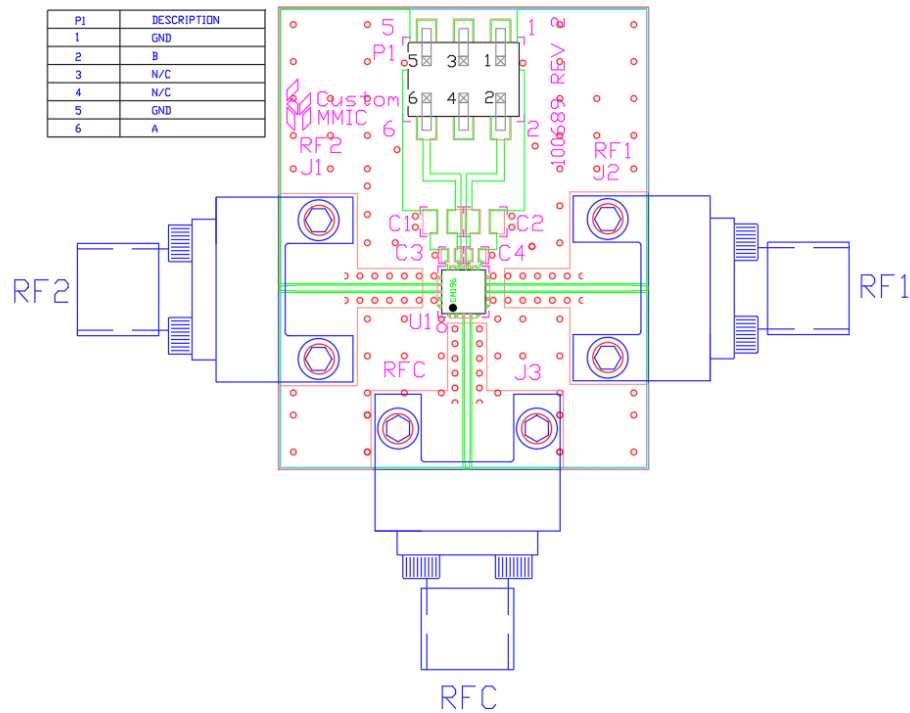


GaAs MMIC devices are susceptible to damage from Electrostatic Discharge. Proper precautions should be observed during handling, assembly and test.

Applications Information

Evaluation Board

The circuit board shown has been developed for optimized assembly at Qorvo. A sufficient number of via holes should be used to connect the top and bottom ground planes. As surface mount processes vary, careful process development is recommended.



Bill of Material

Designator	Value	Description
J1, J2, J3		SMA End Launch Connector
P1		6 Pin Header
U1		CMD196C3 SPDT Switch
PCB		100628 Evaluation PCB

Handling Precautions

Parameter	Rating	Standard
ESD – Human Body Model (HBM)	Class 1A	ESDA / JEDEC JS-001-2012
ESD – Charged Device Model (CDM)	Class C2b	ESDA / JEDEC JS-001-2012
MSL – Moisture Sensitivity Level	Level 1	IPC/JEDEC J-STD-020



Caution!
ESD-Sensitive Device

RoHS Compliance

This part is compliant with 2011/65/EU RoHS directive (Restrictions on the Use of Certain Hazardous Substances in Electrical and Electronic Equipment) as amended by Directive 2015/863/EU.

This product also has the following attributes:

- Lead Free
- Halogen Free (Chlorine, Bromine)
- Antimony Free
- TBBP-A (C₁₅H₁₂Br₄O₂) Free
- SVHC Free
- PFOS Free

Contact Information

For the latest specifications, additional product information, worldwide sales and distribution locations:

Web: www.qorvo.com

Tel: 1-844-890-8163

Email: customer.support@qorvo.com

Important Notice

The information contained in this Data Sheet and any associated documents (“Data Sheet Information”) is believed to be reliable; however, Qorvo makes no warranties regarding the Data Sheet Information and assumes no responsibility or liability whatsoever for the use of said information. All Data Sheet Information is subject to change without notice. Customers should obtain and verify the latest relevant Data Sheet Information before placing orders for Qorvo® products. Data Sheet Information or the use thereof does not grant, explicitly, implicitly or otherwise any rights or licenses to any third party with respect to patents or any other intellectual property whether with regard to such Data Sheet Information itself or anything described by such information.

DATA SHEET INFORMATION DOES NOT CONSTITUTE A WARRANTY WITH RESPECT TO THE PRODUCTS DESCRIBED HEREIN, AND QORVO HEREBY DISCLAIMS ANY AND ALL WARRANTIES WITH RESPECT TO SUCH PRODUCTS WHETHER EXPRESS OR IMPLIED BY LAW, COURSE OF DEALING, COURSE OF PERFORMANCE, USAGE OF TRADE OR OTHERWISE, INCLUDING THE IMPLIED WARRANTIES OF MERCHANTABILITY AND FITNESS FOR A PARTICULAR PURPOSE. Without limiting the generality of the foregoing, Qorvo® products are not warranted or authorized for use as critical components in medical, life-saving, or life-sustaining applications, or other applications where a failure would reasonably be expected to cause severe personal injury or death. Applications described in the Data Sheet Information are for illustrative purposes only. Customers are responsible for validating that a particular product described in the Data Sheet Information is suitable for use in a particular application.

© 2022 Qorvo US, Inc. All rights reserved. This document is subject to copyright laws in various jurisdictions worldwide and may not be reproduced or distributed, in whole or in part, without the express written consent of Qorvo US, Inc. | QORVO® is a registered trademark of Qorvo US, Inc.