

### Features

- CMD5954 is a 4 channel driver for optical disc motor driver. Dual channel current feedback type drivers are built in, in addition to dual channel motor driver.
- Separating Vcc into Pre-power of sled motor, Power of loading motor and Power of actuator, can make batter power efficiency, by low supply voltage drive.
- Stand-by mode built in.
- Thermal shutdown circuit on chip.

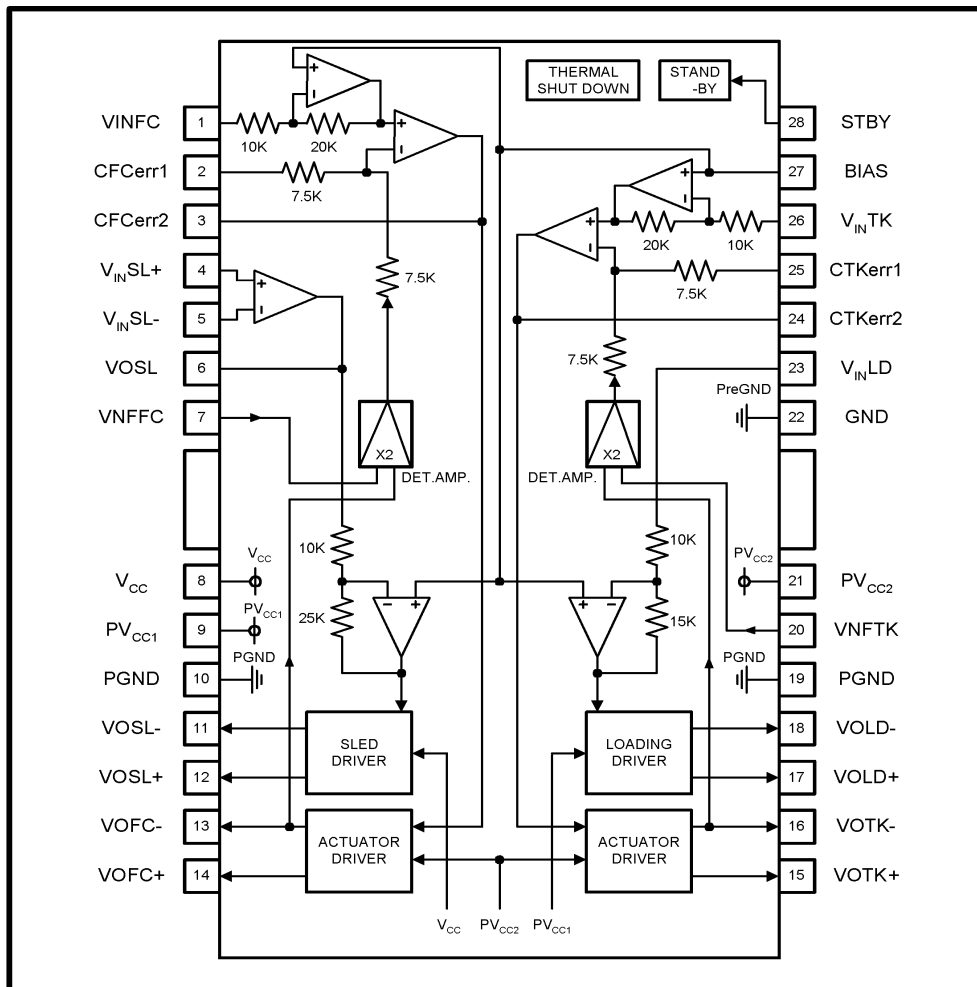
### Description

The CMD5954 is a 4-channel BTL driver IC for driving the motors and actuators in products such as CD-ROM/DVD-ROM/DVD-Player drives. Two of the channels use current feedback to minimize the current phase shift caused by the influence of load inductance.

### Applications

CD-ROM drives, DVD drives, DVD-ROM drives.

### Block Diagram



\* All specs and applications shown above subject to change without prior notice.

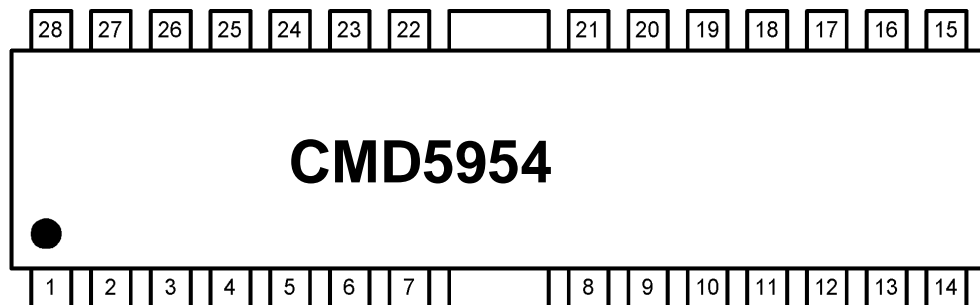
### Pin Descriptions

Pin No.	Pin name	Function
1	VINFC	Focus drive input
2	CFCerr1	For connection of capacitor for the error amp filter
3	CFCerr2	For connection of capacitor for the error amp filter
4	VINSL +	Op-amp input (+) for the sled driver
5	VINSL -	Op-amp input (-) for the sled driver
6	VOSL	Op-amp output for the sled driver
7	VNFFC	Focus driver feedback pin
8	Vcc	Vcc
9	PVcc1	Power Vcc for sled driver block
10	PGND	Ground for Sled driver block
11	VOSL -	sled driver output (-)
12	VOSL +	sled driver output (+)
13	VOFC -	Focus driver output (-)
14	VOFC +	Focus driver output (+)
15	VOTK +	Tracking driver output (+)
16	VOTK -	Tracking driver output (-)
17	VOLD +	Loading driver output (+)
18	VOLD -	Loading driver output (-)
19	PGND	Ground for Actuator driver block
20	VNFTK	Tracking driver feedback pin
21	PVcc2	Power Vcc for Actuator driver block
22	GND	Ground
23	VINTK	Loading driver input
24	CTKerr2	For connection of capacitor for the error amp filter
25	CTKerr1	For connection of capacitor for the error amp filter
26	VINTK	Tracking driver input
27	BIAS	Bias input
28	MUTE	Mute control

Notes: The indicated polarities for the output pins are for when all inputs are (+).

The output H bridge supply pins are PVcc1 for the loading channel, PVcc2 for the focus, tracking channels, and Vcc for the pre-block and sled channel. Always ensure that  $V_{cc} \geq PV_{cc1,2}$ .

### PinOut



\* All specs and applications shown above subject to change without prior notice.

**Absolute maximum ratings (Ta = 25°C)**

Parameter	Symbol	Limits	unit
Power supply voltage	$V_{CC} \cdot PV_{CC1,2}$	13.5	V
Power dissipation	$P_d$	1.7*	W
Operating temperature	$T_{opr}$	-35~+85	°C
Storage temperature	$T_{stg}$	-55~+150	°C

\* Reduce by 13.6 mW for each increase in  $T_a$  of 1°C over 25°C.  
When mounted on a 70mm × 70mm × 1.6 mm glass epoxy board.

**Recommended operating conditions (Ta = 25°C)**

Parameter	Symbol	Limits	unit
Power supply voltage	Vcc	4.5~13.2	V
	PVcc1	4.5~Vcc	V
	PVcc2	4.5~Vcc	V

**Electrical characteristics**

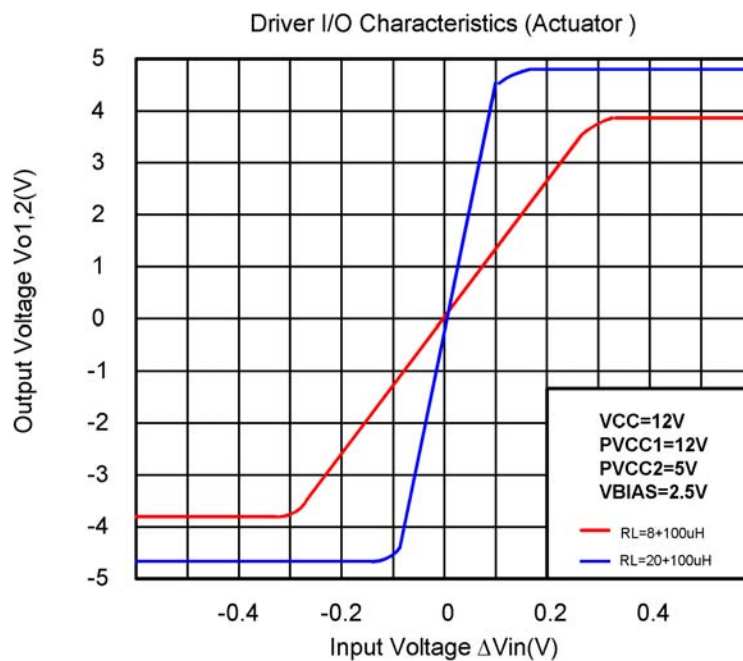
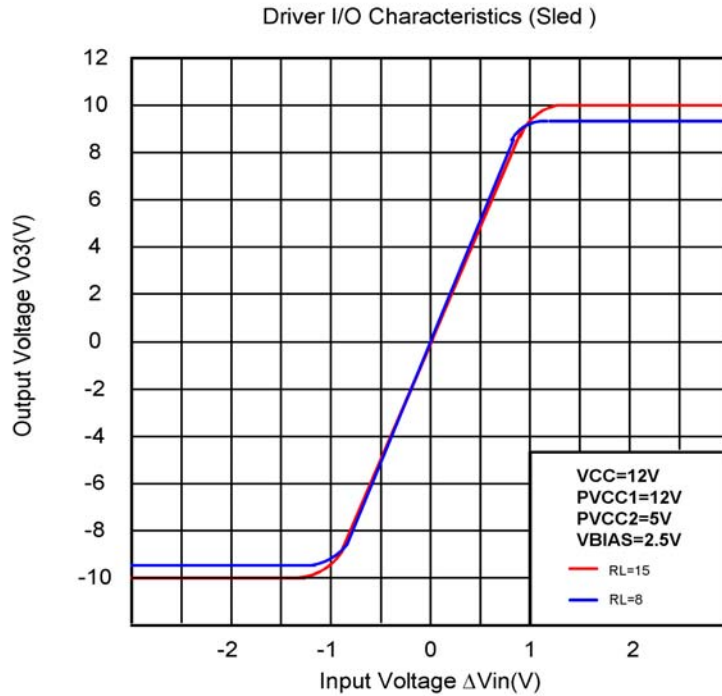
(unless otherwise noted, Ta = 25°C,  $V_{CC} = PV_{CC1} = 12V$ ,  $PV_{CC2} = 5V$ ,  $V_{BIAS} = 2.5V$ ,  $R_{L1} = R_{L2} = 8\Omega$ ,  $R_{L3} = R_{L4} = 15\Omega$ )

Parameter	Symbol	Min.	Typ.	Max.	Unit	Conditions
Quiescent current	$I_{CC}$	-	18	27	mA	
Stand-by quiescent current	$I_{ST}$	-	-	0.5	mA	
Voltage for Stand-by ON	$V_{STON}$	0	-	0.5	V	
Voltage for Stand-by OFF	$V_{STOFF}$	2.0	-	-	V	
<b>&lt;Actuator driver&gt;</b>						
Output offset current	$I_{O1,2}$	-6	-	6	mA	
Maximum output amplitude	$V_{O1,2}$	3.6	4.0	-	V	$V_{IN} = V_{BIAS} \pm 1.5V$
Trans conductance	Gm	1.3	1.5	1.7	A/V	$V_{IN} = V_{BIAS} \pm 0.2V$
<b>&lt;Sled motor driver/Pre OP-amp&gt;</b>						
Common mode input range	$V_{ICM}$	-0.3	-	11.0	V	$V_{BIAS} = 6V$
	$V_{ICM}$	-0.3	-	4.0	V	$V_{CC} = PV_{CC1} = 5V$
Input bias current	$I_{BOP}$	-	30	300	nA	
Low level output voltage	$V_{OLOP}$	-	0.1	0.3	V	
Output source current	$I_{SO}$	0.3	0.5	-	mA	
Output sink current	$I_{SI}$	1	-	-	mA	
<b>&lt;Sled motor driver&gt;</b>						
Output offset voltage	$V_{OFFSL}$	-100	0	100	mV	
Maximum output voltage	$V_{O3}$	7.5	9.0	-	V	$V_{IN} = V_{BIAS} \pm 1.5V$
Closed loop voltage gain	$G_{VSL}$	18.0	20.0	22.0	dB	$V_{IN} = V_{BIAS} \pm 0.2V$
<b>&lt;Loading motor driver&gt;</b>						
Output offset voltage	$V_{OFFLD}$	-50	0	50	mV	
Maximum output voltage	$V_{O4-1}$	7.5	9.0	-	V	$V_{IN} = V_{BIAS} \pm 1.5V$
Maximum output voltage	$V_{O4-2}$	3.6	4.0	-	V	$V_{IN} = V_{BIAS} \pm 1.5V$ $V_{CC} = PV_{CC1} = 5V$
Closed loop voltage gain	$G_{VLD}$	13.5	15.5	17.5	dB	$V_{IN} = BIAS \pm 0.2V$
Gain error by polarity	$\Delta G_{VLD}$	0	1	2	dB	$V_{IN} = BIAS \pm 0.2V$

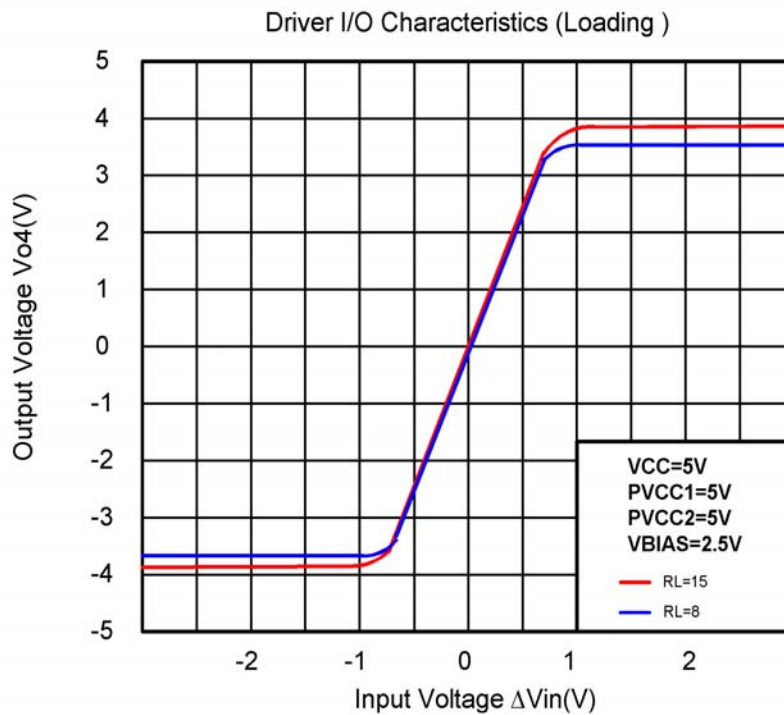
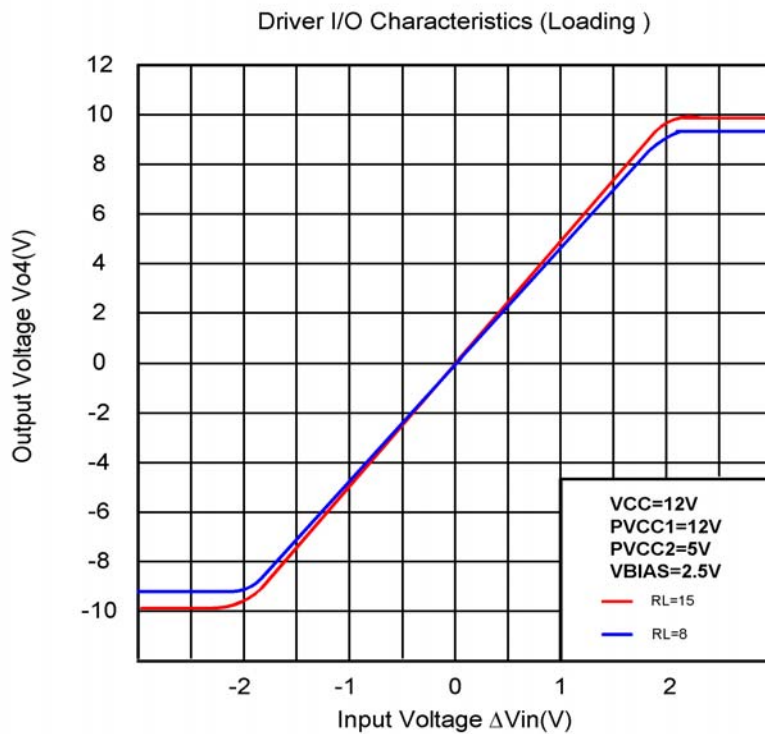
\*This product is not designed for protection against radioactive rays.

\* All specs and applications shown above subject to change without prior notice.

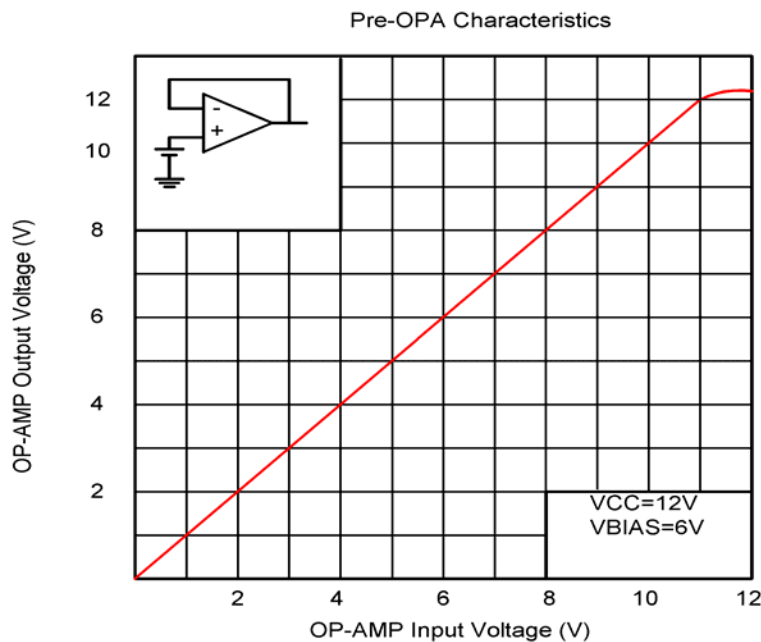
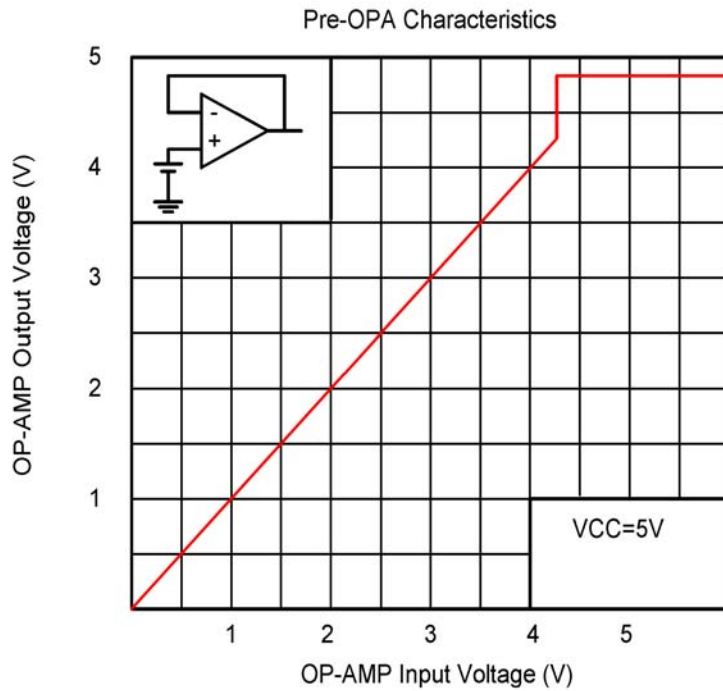
### Typical Curve



\* All specs and applications shown above subject to change without prior notice.

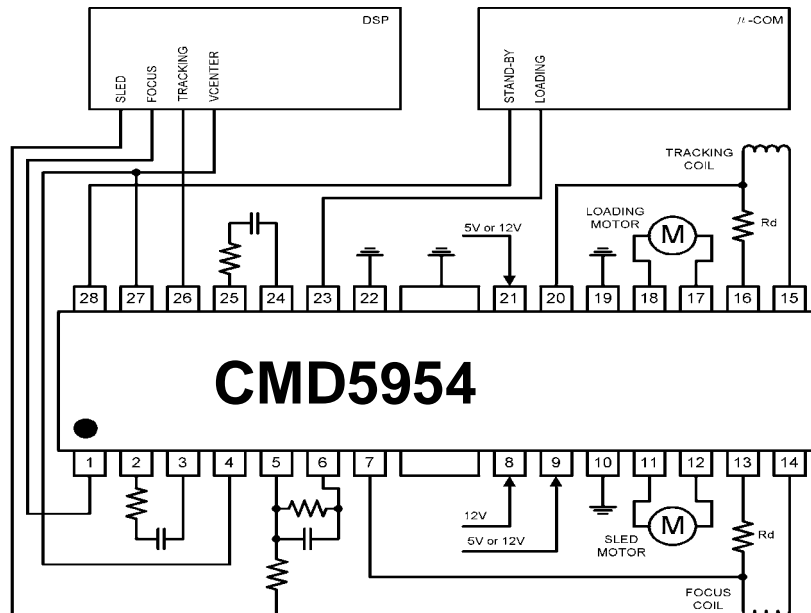
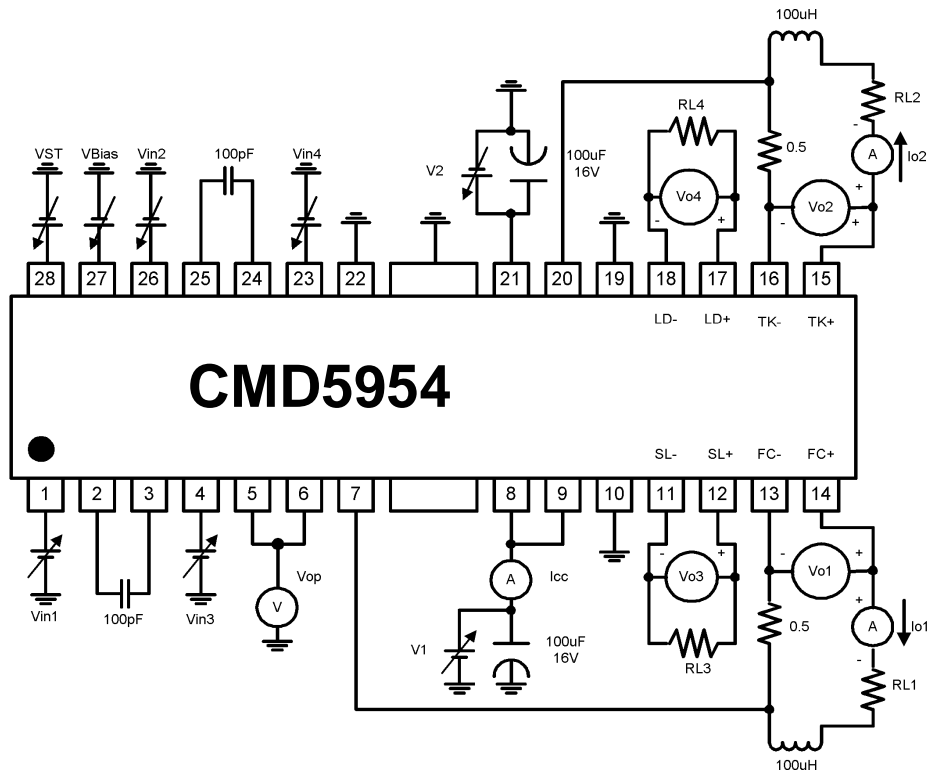


\* All specs and applications shown above subject to change without prior notice.



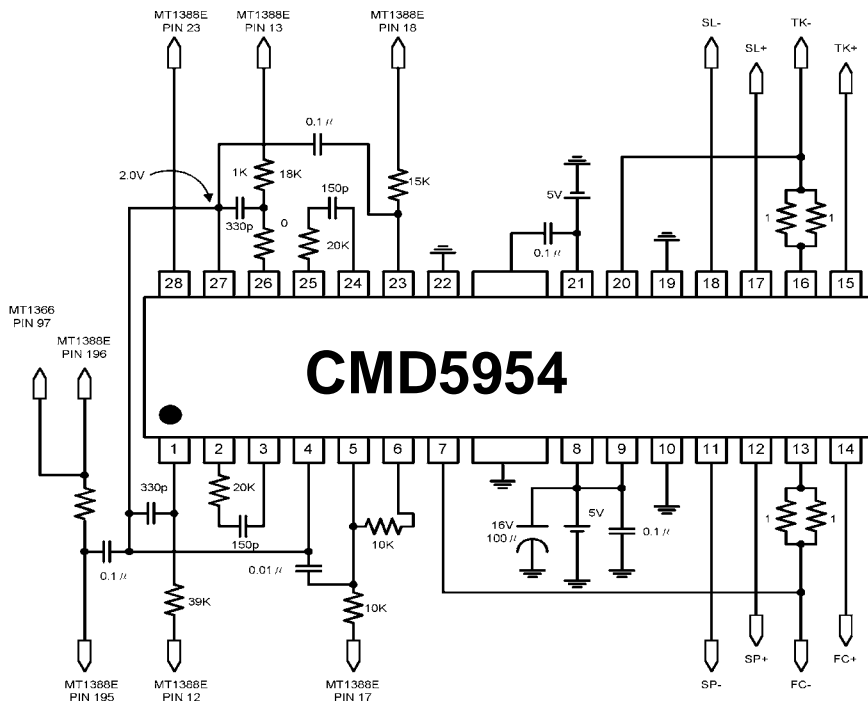
\* All specs and applications shown above subject to change without prior notice.

### Test Circuit

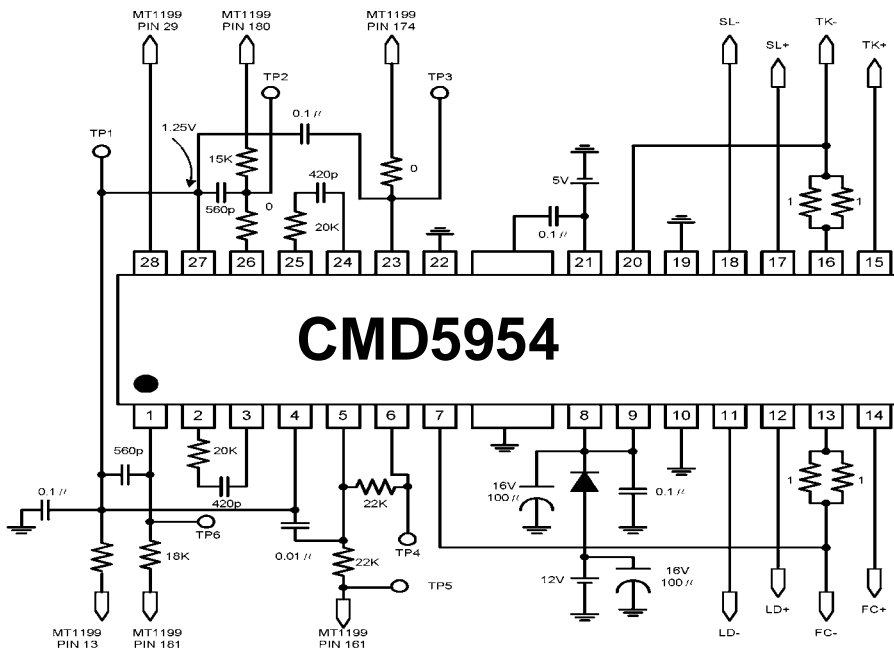


\* All specs and applications shown above subject to change without prior notice.

### Application example



DVD-Player



52X CD-ROM

\* All specs and applications shown above subject to change without prior notice.



### Operation notes

- (1) Thermal-shut-down circuit built in. In case IC chip temperature rise to 175 °C (typ.), thermal-shut-down circuit operates and output current muted. Next time IC chip temperature falls below 150 °C (typ.), the driver blocks start.
- (2) In case stand-by-pin voltage under 0.5V or opened, quiescent current is muted. stand-by-pin voltage should be over 2.0V for normal application.
- (3) Bias-pin (pin 27) should be pulled up more than 1.2V. In case bias-pin voltage is pulled down under 0.9V (typ.), output current is muted.
- (4) Insert the by-pass capacitor between Vcc-pin and GND-pin of IC as possible as near

(approximately 0.1  $\mu$ F).

- (5) Heat dissipation fins are attached to the GND on the inside of the package. Make sure to connect these to the external GND.

< Supplement >

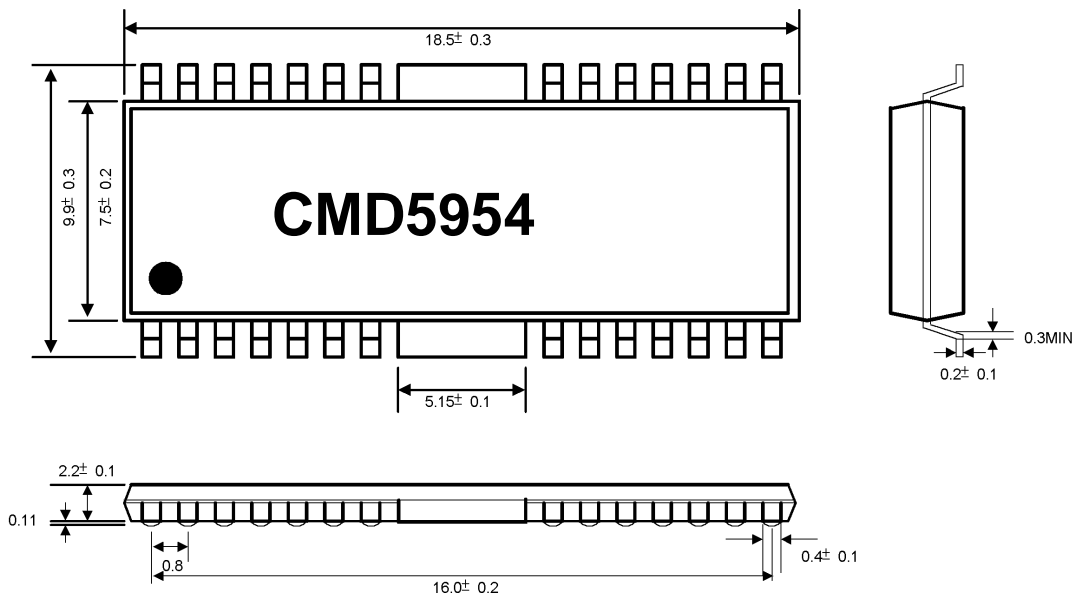
Current-feedback driver

Trans conductance (output current/input voltage) is show as follows.

$$g_m = \frac{1}{R_d + R_{WIRE}} (A/V)$$

$$R_{WIRE} = 0.15 \Omega (\pm 0.05 \Omega) \quad \text{Au wire}$$

### Package Outlines (units:mm): HSOP-28



\* All specs and applications shown above subject to change without prior notice.