

## CMF Series



The CMF series is a type of common mode filter designed and produced using the multilayer technology. The multilayer construction allows for excellent noise suppression for signal lines used in high-speed and high-density digital equipment such as personal computers, facsimiles, DSC, STB, etc. Both standard series and custom-design products are available.

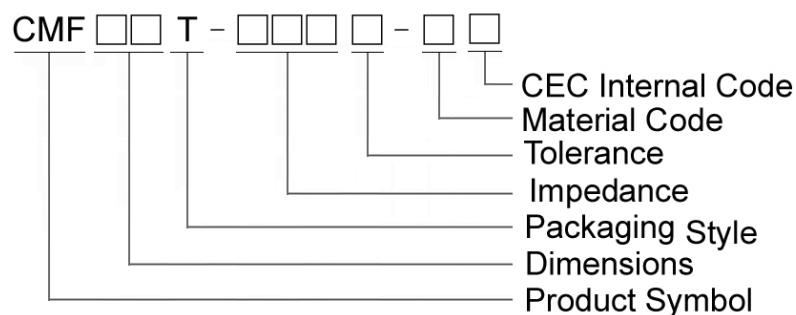
### Features

- Multilayer construction for effective suppression of common mode noise at high frequency
- Excellent solderability
- Compact design

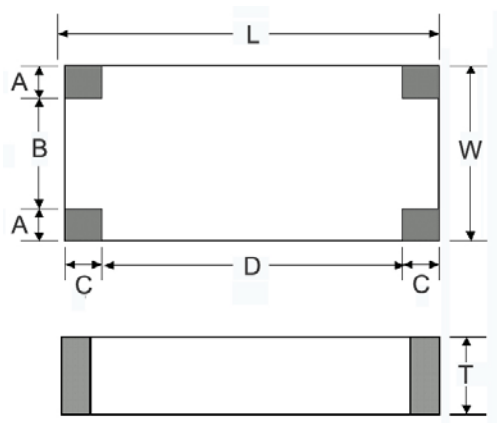
### Applications

- High speed interfaces (IEEE1394, USB2.0, and LVDS) in electronic devices
- PDP, LCD TV, DVD player, PC, Audio player, DSC
- Digital audio and video equipment such as PDAs, DVC, CD player, MD player, etc

### Product Identification



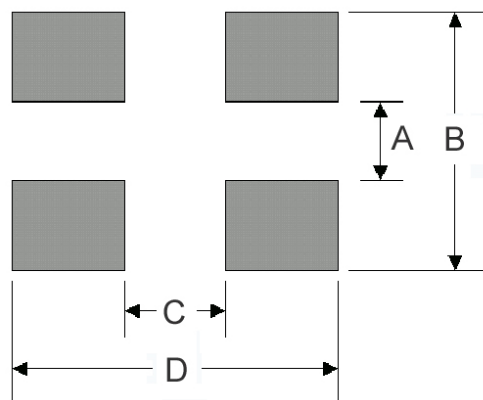
### Shape and Dimensions



Dimensions in mm

TYPE	L	W	T	A	B	C	D
CMF21	2.00±0.2	1.25±0.2	0.65±0.2	0.30±0.1	0.65±0.2	0.30±0.1	1.40±0.2

### Recommended Pattern



Dimensions in mm

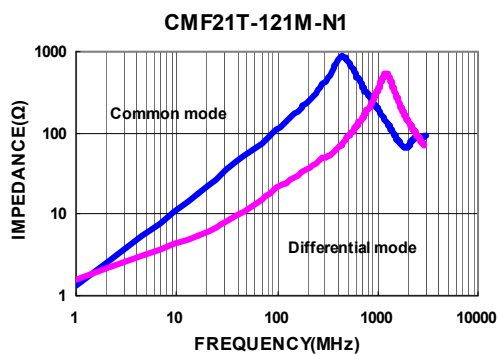
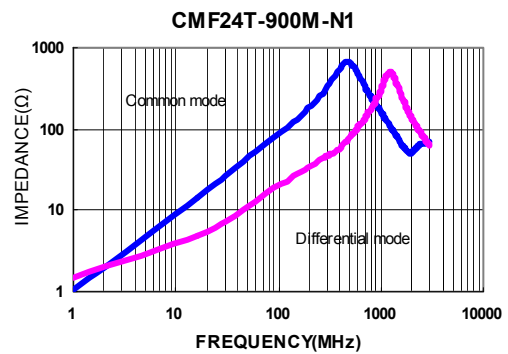
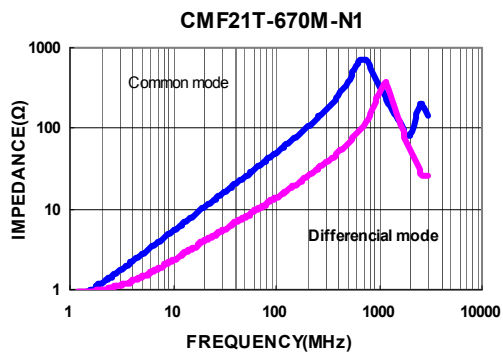
TYPE	A	B	C	D
CMF21	0.50	1.30	0.80	2.60

## Electrical Characteristics

Part Number	Impedance ( $\Omega$ )	Test Frequency (MHz)	Tolerance ( $\pm\%$ )	RDC ( $\Omega$ )Max	Rated Current (mA)	Rated Voltage (Vdc)	Insulation Resistance (M $\Omega$ ) Min
CMF21T-670M-N1	67	100	20	0.4	400	30	200
CMF21T-900M-N1	90	100	20	0.4	400	30	200
CMF21T-121M-N1	121	100	20	0.4	400	30	200

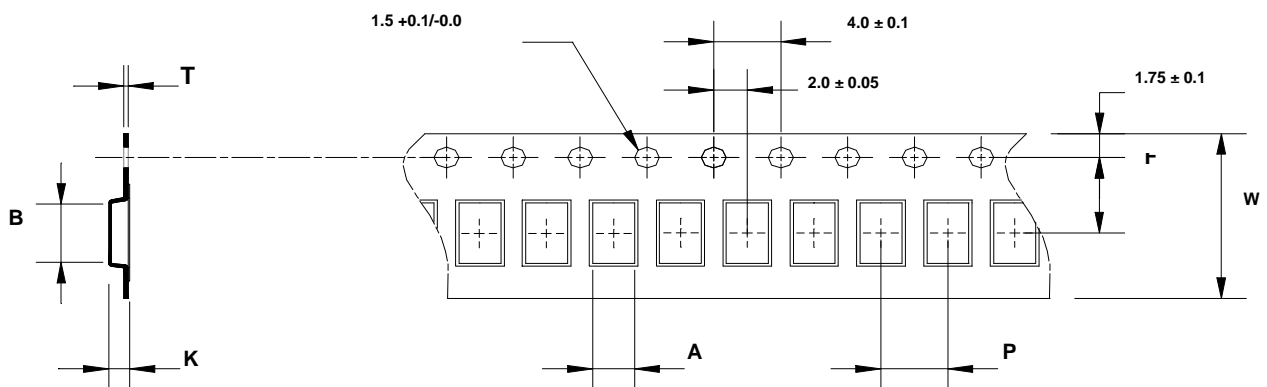
- When ordering, please specify tolerance and packaging codes
- Tolerance: M =  $\pm 20\%$
- Packaging: Clear tape and reel {standard}
- Z: Agilent E4991A
- Rdc (single line): CH502BC/ HP4338B
- Insulation Resistance: Agilent/HP4339B
- Operating temperature range from  $-25^{\circ}\text{C}$  to  $+85^{\circ}\text{C}$ . (Including self - temperature rise )

**Test Instruments :** Agilent E4991A Material/Impedance Analyzer

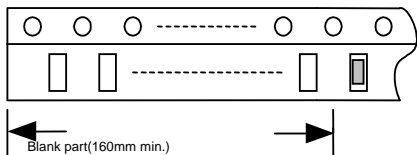


## Packaging Specifications

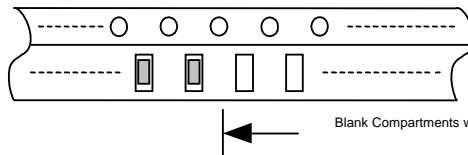
### Tape Dimensions



Trailer End

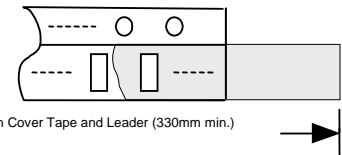


Blank part(160mm min.)

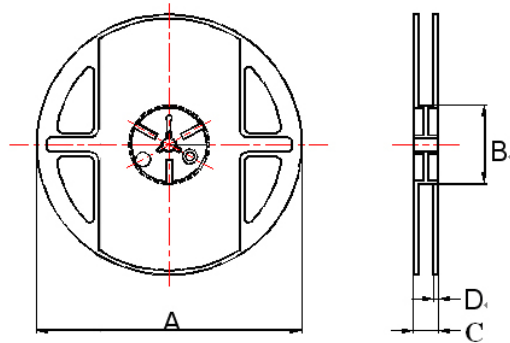


Blank Compartments with Cover Tape and Leader (330mm min.)

Leader End



### Reel Dimensions



Dimensions in mm

TYPE	Tape Dimensions							Reel Dimensions				Quantity
	A	B	T	W	P	F	K	A	B	C	D	PCS / Reel
CMF21	1.45	2.30	0.22	8	4	3.5	1.13	178	60	12	1.5	4000