

## CMM Series For USB 2.0, IEEE1394b, LVDS



A full series of common mode choke is designed for excellent noise attenuation with compact sizing for use in wide range of applications. Both standard series and custom designs are available.

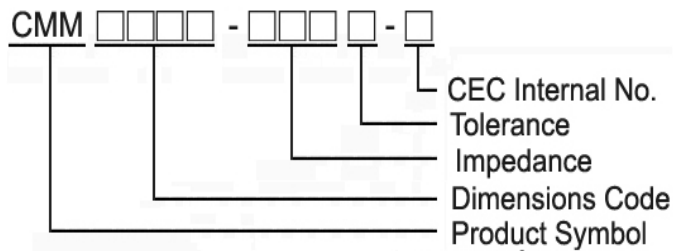
### Features

- RoHS Compliant
- Miniature SMD type common mode filter for fully automated assembly
- Wide impedance range (30Ω ~ 2200Ω) for noise suppression
- Excellent solderability

### Applications

- USB line for personal computers and peripheral
- IEEE 1394 line for personal computers, DVC, STB
- LVDS, panel line for liquid display panels, graph card etc

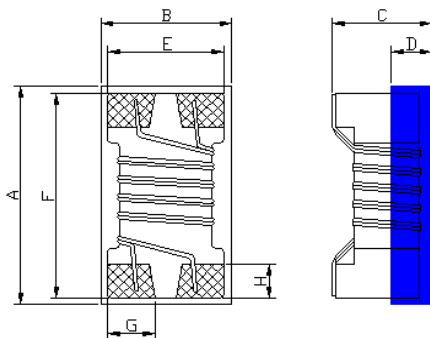
### Product Identification



- Packaging: T : Tape and Reel

### Shapes and Dimensions

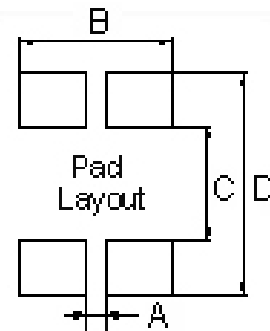
CMM0805



Dimensions in mm

A	B	C	D	E	F	G	H
2.29 <sup>+0</sup>	1.52 <sup>+0</sup>	1.20 <sup>+0</sup>	0.5	1.27	2.03	0.5	0.58

### Recommended Pattern



Dimensions in mm

A	B	C	D
0.5	1.27	0.8	2.6

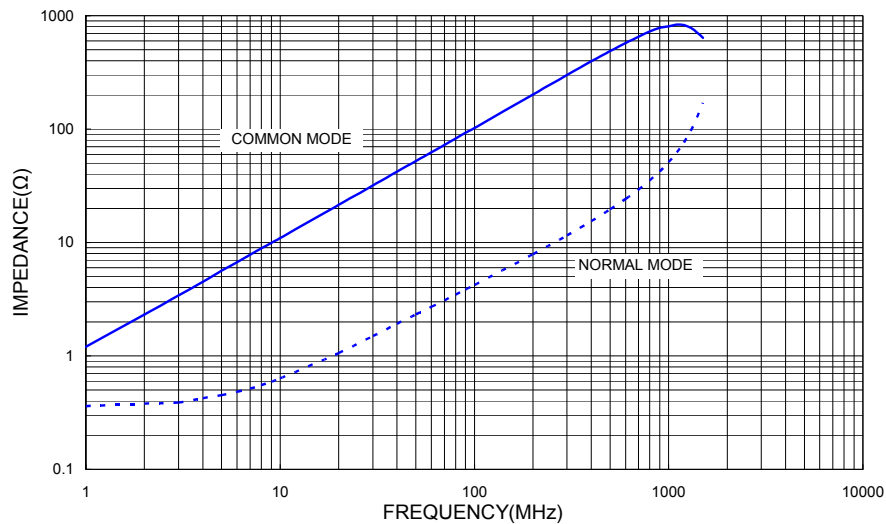
## Electrical Characteristics

Part Number	Impedance (Ω)	Test Frequency (MHz)	Tolerance (±%)	Idc (mA) Max	Rated Voltage (Vdc)	Rdc (Ω) Max	Insulation Resistance (MΩ) Min
CMM0805-300M-N	30	100	20	1300	50	0.20	10
CMM0805-420M-N	42	100	20	1300	50	0.20	10
CMM0805-670M-N	67	100	20	1200	50	0.25	10
CMM0805-900M-N	90	100	20	1000	50	0.27	10
CMM0805-121M-N	120	100	20	900	50	0.30	10
CMM0805-181M-N	180	100	20	700	50	0.40	10
CMM0805-261M-N	260	100	20	700	50	0.60	10

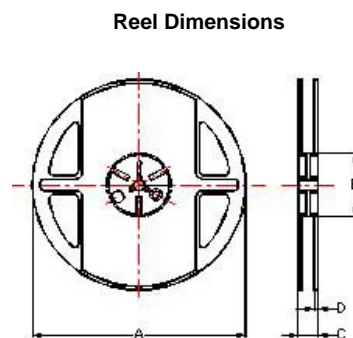
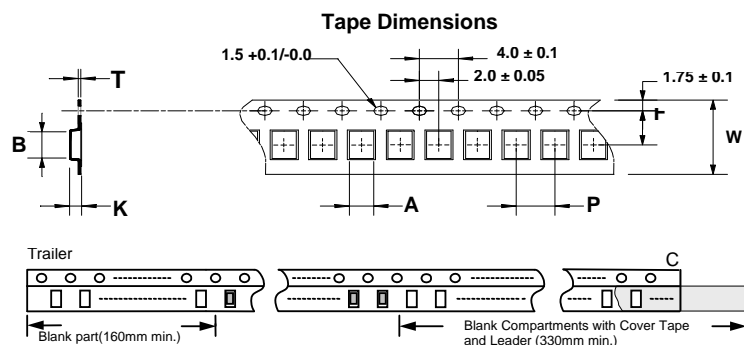
- When ordering, please specify tolerance and packaging codes.
- Tolerance : M = ±20%
- Packaging : Clear tape and reel { standard }.
- Z : Agilent/HP4291A
- Rdc(single line) : CH502BC/ HP4338B
- Insulation Resistance : Agilent /HP4339B
- Operating temperature range from -25°C to 85°C.

## Typical Impedance vs. Frequency

**CMM0805-900M-N**



Packaging Specifications



Dimensions in mm

TYPE	Tape Dimensions							Reel Dimensions				Quantity PCS / Reel
	A	B	T	W	P	F	K	A	B	C	D	
CMM0805	1.60	2.42	0.26	8	4	3.5	1.14	178	60	12	1.5	2000