

CMOD2004

**SURFACE MOUNT  
HIGH VOLTAGE  
SILICON SWITCHING DIODE**

**ULTRAmi™**



**SOD-523 CASE**

**Central™**  
Semiconductor Corp.

[www.centrasemi.com](http://www.centrasemi.com)

**DESCRIPTION:**

The CENTRAL SEMICONDUCTOR CMOD2004 type is a high voltage silicon switching diode manufactured by the epitaxial planar process, epoxy molded in a ULTRAmi™ surface mount package, designed for applications requiring high voltage capability.

**MARKING CODE: 04**

**MAXIMUM RATINGS:** ( $T_A=25^\circ\text{C}$ )

Continuous Reverse Voltage  
Peak Repetitive Reverse Voltage  
Average Forward Current  
Continuous Forward Current  
Peak Repetitive Forward Current  
Peak Forward Surge Current,  $t_p=1.0\mu\text{s}$   
Peak Forward Surge Current,  $t_p=1.0\text{s}$   
Power Dissipation  
Operating and Storage Junction Temperature  
Thermal Resistance

**SYMBOL**

$V_R$  240  
 $V_{RRM}$  300  
 $I_O$  200  
 $I_F$  225  
 $I_{FRM}$  625  
 $I_{FSM}$  4.0  
 $I_{FSM}$  1.0  
 $P_D$  250  
 $T_J, T_{stg}$  -65 to +150  
 $\theta_{JA}$  500

**UNITS**

V  
V  
mA  
mA  
mA  
A  
A  
mW  
 $^\circ\text{C}$   
 $^\circ\text{C/W}$

**ELECTRICAL CHARACTERISTICS:** ( $T_A=25^\circ\text{C}$  unless otherwise noted)

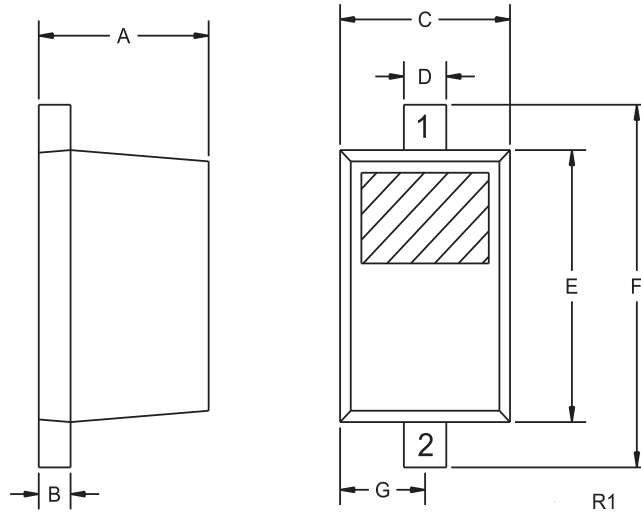
SYMBOL	TEST CONDITIONS	MIN	MAX	UNIT
$I_R$	$V_R=240\text{V}$		100	nA
$I_R$	$V_R=240\text{V}, T_A=150^\circ\text{C}$		100	$\mu\text{A}$
$BV_R$	$I_R=100\mu\text{A}$	300		V
$V_F$	$I_F=100\text{mA}$		1.0	V
$C_T$	$V_R=0, f=1.0\text{MHz}$		5.0	pF
$t_{rr}$	$I_F=I_R=30\text{mA}, \text{Rec. to } 3.0\text{mA}, R_L=100\Omega$		50	ns

R3 (25-January 2010)

**CMOD2004**  
**SURFACE MOUNT**  
**HIGH VOLTAGE**  
**SILICON SWITCHING DIODE**



**SOD-523 CASE - MECHANICAL OUTLINE**



**LEAD CODE:**

- 1) Cathode
- 2) Anode

**MARKING CODE: 04**

<b>DIMENSIONS</b>				
SYMBOL	INCHES		MILLIMETERS	
	MIN	MAX	MIN	MAX
A	0.020	0.031	0.50	0.80
B	0.004	0.008	0.10	0.20
C	0.028	0.035	0.70	0.90
D	0.008	0.011	0.20	0.28
E	0.039	0.055	1.00	1.40
F	0.055	0.071	1.40	1.80
G	0.016		0.40	

SOD-523 (REV: R1)

R3 (25-January 2010)

[www.centrasemi.com](http://www.centrasemi.com)

[www.DataSheet4U.com](http://www.DataSheet4U.com)