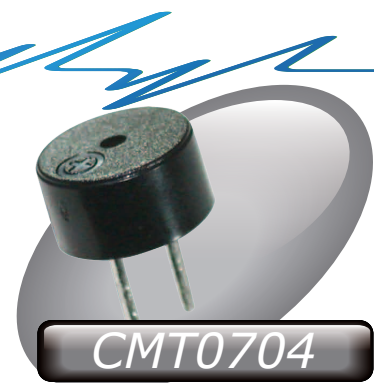
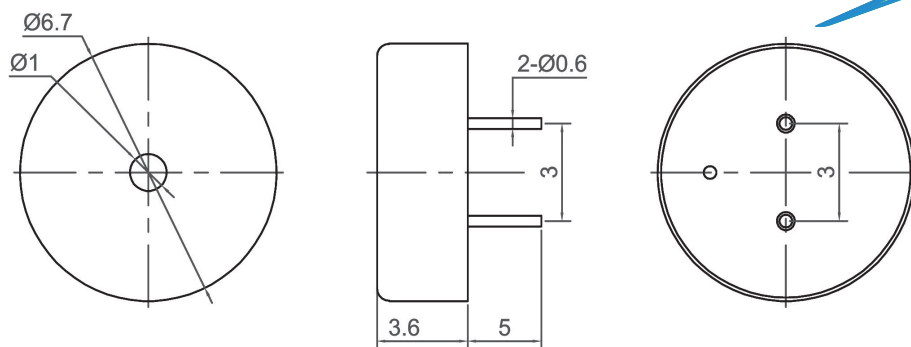
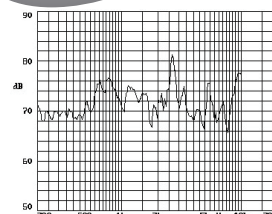


Magnetic Transducer (AC)



CMT0704

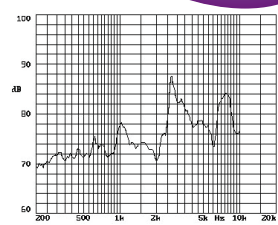
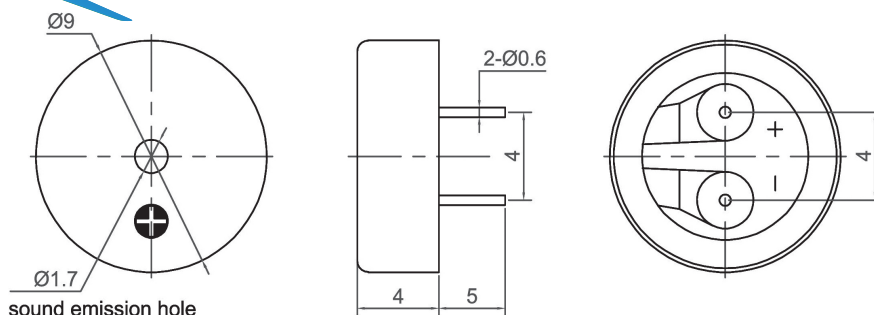


Canopus Part no.	Operating Voltage (V)	Rated Voltage (V)	Max Rated Current (mA)	Coil Resistance (Ω)	Min Sound Output (dBA)	Resonant Frequency (Hz)	Operating Temperature ($^{\circ}$ C)	Housing	Weight (g)
CMT0704A2730NP	1 ~ 4	1.5	80	8 \pm 1	70 at 10cm	2730	-20 ~ +80	Noryl	1

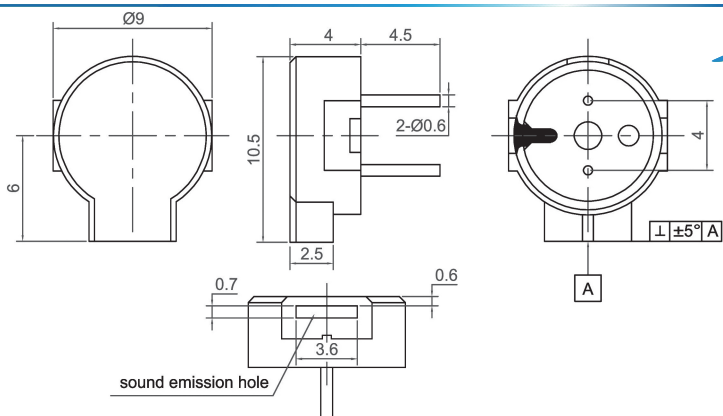
CANOPUS



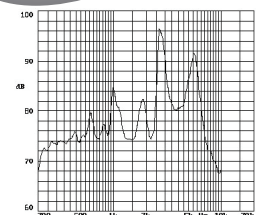
CMT0904



Canopus Part no.	Operating Voltage (V)	Rated Voltage (V)	Max Rated Current (mA)	Coil Resistance (Ω)	Min Sound Output (dBA)	Resonant Frequency (Hz)	Operating Temperature ($^{\circ}$ C)	Housing	Weight (g)
CMT0904C2400NP	2 ~ 5	3	40	32 \pm 4	82 at 10cm	2400	-20 ~ +60	Noryl	0.6
CMT0904C2731NP	2 ~ 5	3	70	20 \pm 31	82 at 10cm	2731	-20 ~ +70	Noryl	0.6



CMT0904-X



Canopus Part no.	Operating Voltage (V)	Rated Voltage (V)	Max Rated Current (mA)	Coil Resistance (Ω)	Min Sound Output (dBA)	Resonant Frequency (Hz)	Operating Temperature ($^{\circ}$ C)	Housing	Weight (g)
CMT0904C2730LPX	2 ~ 4	3	90	16 \pm 2	85 at 10cm	2730	-20 ~ +60	PA46	0.7

Your Efficient Supplier
www.canopus.com.hk

TEL.: (852) 2806 2812 Fax: (852) 2652 2216