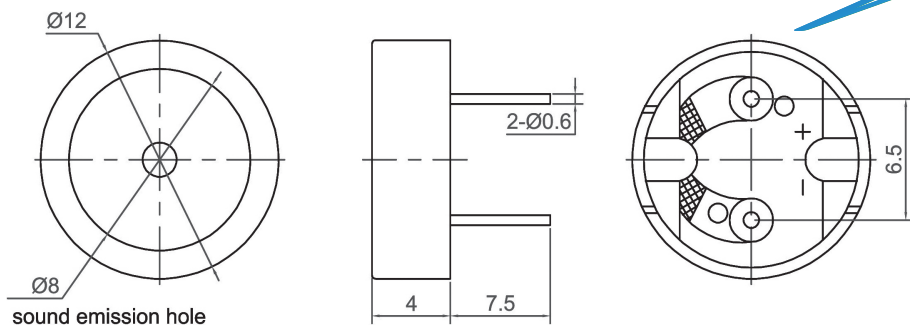
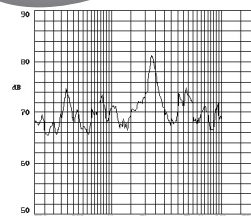


# Magnetic Transducer (AC)



**CMT1204**

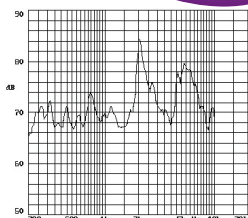
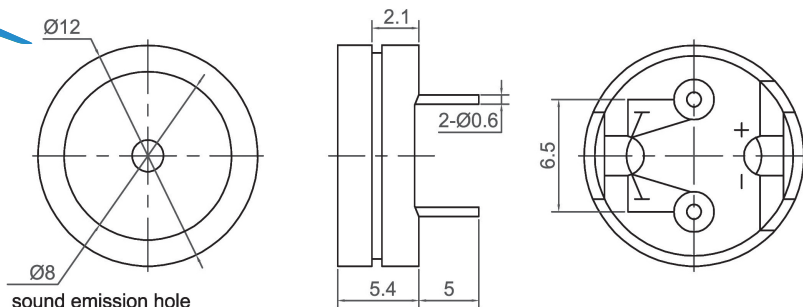


Canopus Part no.	Operating Voltage (V)	Rated Voltage (V)	Max Rated Current (mA)	Coil Resistance ( $\Omega$ )	Min Sound Output (dBA)	Resonant Frequency (Hz)	Operating Temperature ( $^{\circ}$ C)	Housing	Weight (g)
CMT1204A2048NP	1 ~ 2	1.5	30	16 $\pm$ 4	75 at 10cm	2048	-20 ~ +60	Noryl	2
CMT1204A2400NP	1 ~ 2	1.5	30	16 $\pm$ 4	75 at 10cm	2400	-20 ~ +60	Noryl	2

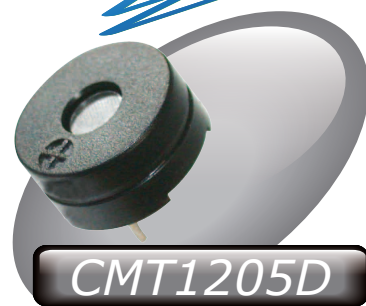
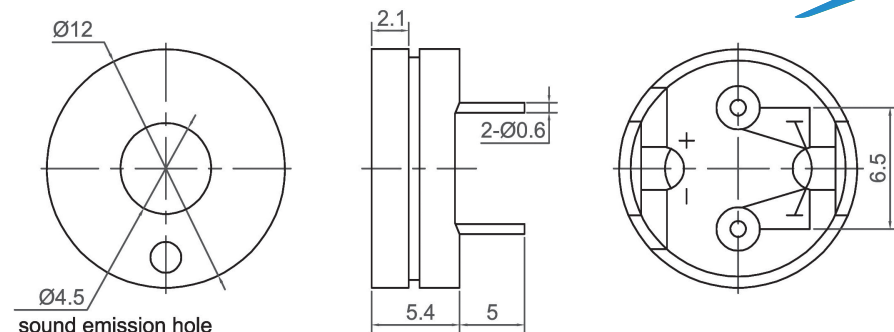
**CANOPUS**



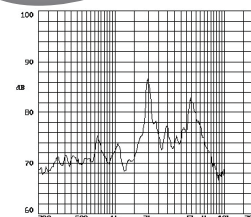
**CMT1205**



Canopus Part no.	Operating Voltage (V)	Rated Voltage (V)	Max Rated Current (mA)	Coil Resistance ( $\Omega$ )	Min Sound Output (dBA)	Resonant Frequency (Hz)	Operating Temperature ( $^{\circ}$ C)	Housing	Weight (g)
CMT1205A2048NP-16R	1 ~ 2	1.5	35	16 $\pm$ 2	75 at 10cm	2048	-20 ~ +60	Noryl	2
CMT1205A2048NP-42R	1 ~ 2	1.5	30	45 $\pm$ 5	80 at 10cm	2048	-20 ~ +70	Noryl	2
CMT1205A2048NP-50R	1 ~ 2	1.5	10	50 $\pm$ 7.5	70 at 10cm	2048	-20 ~ +60	Noryl	2



**CMT1205D**



Canopus Part no.	Operating Voltage (V)	Rated Voltage (V)	Max Rated Current (mA)	Coil Resistance ( $\Omega$ )	Min Sound Output (dBA)	Resonant Frequency (Hz)	Operating Temperature ( $^{\circ}$ C)	Housing	Weight (g)
CMT1205D1980NP	1 ~ 4	3.6	40	42 $\pm$ 5	70 at 10cm	1980	-20 ~ +60	Noryl	

**Your Efficient Supplier**  
[www.canopus.com.hk](http://www.canopus.com.hk)

TEL.: (852) 2806 2812

Fax: (852) 2652 2216