

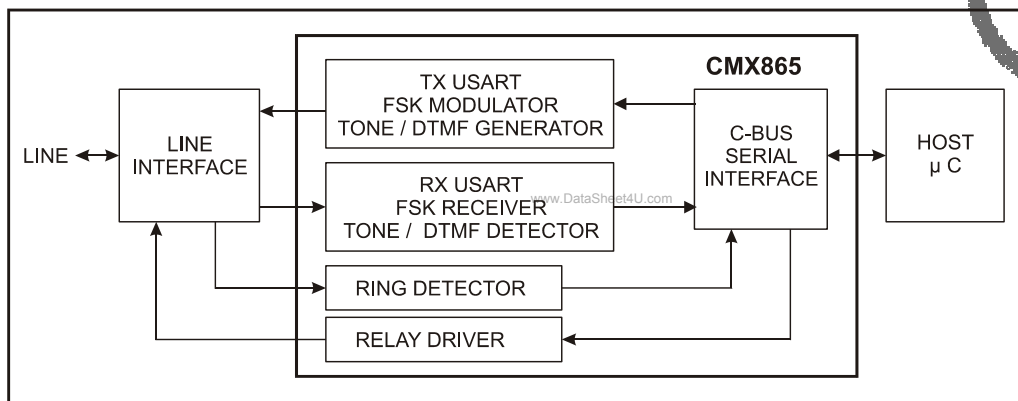
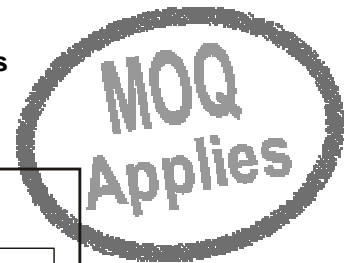
Features

- V.23 1200/75, 1200/1200, 75, 1200 bps FSK
- Bell 202 1200/150, 1200/1200, 150, 1200 bps FSK
- Bell 103 300/300 bps FSK
- Low Voice Falsing DTMF Decoder
- DTMF/Tones Transmit and Receive
- Low Power - High Performance
- Software and Hardware Compatible with CMX86x

Family of Wireline Products

Applications

- Wireless Local Loops
- SMS Phones
- Security Systems
- Remote Utility Meter Reading
- Industrial Control Systems
- Pay-Phones
- Set-Top Boxes



1. Brief Description

The CMX865 is a multi-standard modem for use in telephone based information and telemetry systems.

Control of the device is via a simple high speed serial bus, compatible with most types of μ C serial interface. The data transmitted and received by the modem is also transferred over the same serial bus. On-chip programmable Tx and Rx USARTs are provided for use with asynchronous data and allow unformatted synchronous data to be received or transmitted as 8-bit words.

A high-quality DTMF decoder with excellent immunity to falsing on voice and a standard DTMF encoder are included. Alternatively, these blocks can be used to transmit and detect user-specific, programmed single and dual-tone signals, call progress signals or modem calling and answering tones.

Flexible line driver and receive hybrid circuits are integrated on chip, requiring only passive external components to build a 2 or 4-wire line interface.

The device also features a Hook Switch Relay Drive output and a Ring Detector circuit which continues to function when the device is in the powersave mode, providing an interrupt which can be used to wake up the host μ Controller when line voltage reversal or ringing is detected.

The CMX865 operates from a single 3.0 to 3.6V supply over a temperature range of -40°C to $+85^{\circ}\text{C}$ and is available in a 24-pin SOIC package.

CONTENTS

<u>Section</u>	<u>Page</u>
1. Brief Description	1
2. Block Diagram	3
3. Signal List	4
4. External Components	5
4.1 Ring Detector Interface	6
4.2 Line Interface	7
5. General Description	10
5.1 Tx USART	11
5.2 FSK Modulator	12
5.3 Tx Filter and Equaliser	12
5.4 DTMF/Tone Generator	12
5.5 Tx Level Control and Output Buffer	12
5.6 Rx DTMF/Tones Detectors	13
5.7 Rx Modem Filtering and Demodulation	14
5.8 Rx Modem Pattern Detectors	14
5.9 Rx Data Register and USART	15
5.10 C-BUS Interface	16
5.10.1 General Reset Command	16
5.10.2 General Control Register	18
5.10.3 Transmit Mode Register	20
5.10.4 Receive Mode Register	23
5.10.5 Tx Data Register	25
5.10.6 Rx Data Register	25
5.10.7 Status Register	26
5.10.8 Programming Register	29
6. Application Notes	32
7. Performance Specification	33
7.1 Electrical Performance	33
7.1.1 Absolute Maximum Ratings	33
7.1.2 Operating Limits	33
7.1.3 Operating Characteristics	34
7.2 Packaging	41

It is always recommended that you check for the latest product datasheet version from the Datasheets page of the CML website: [www.cmlmicro.com].

2. Block Diagram

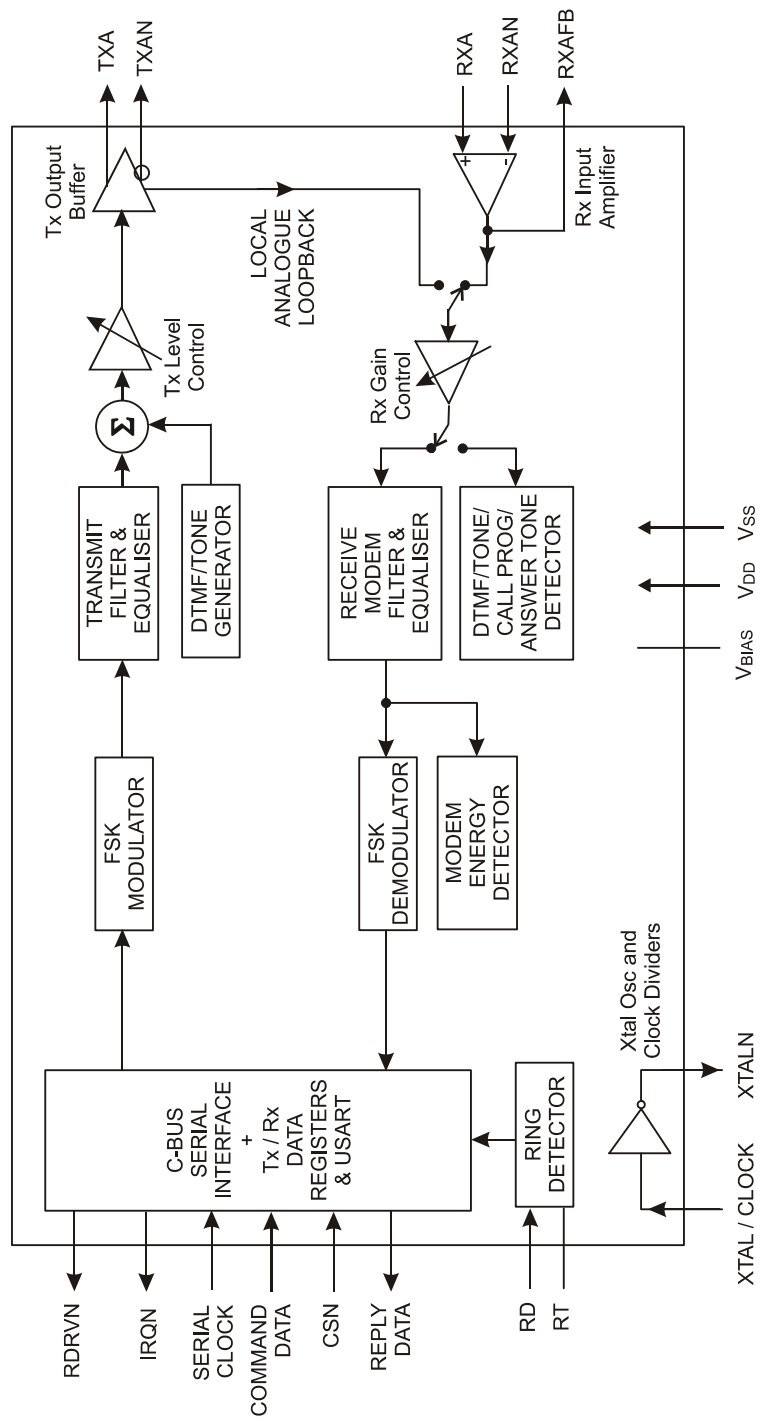


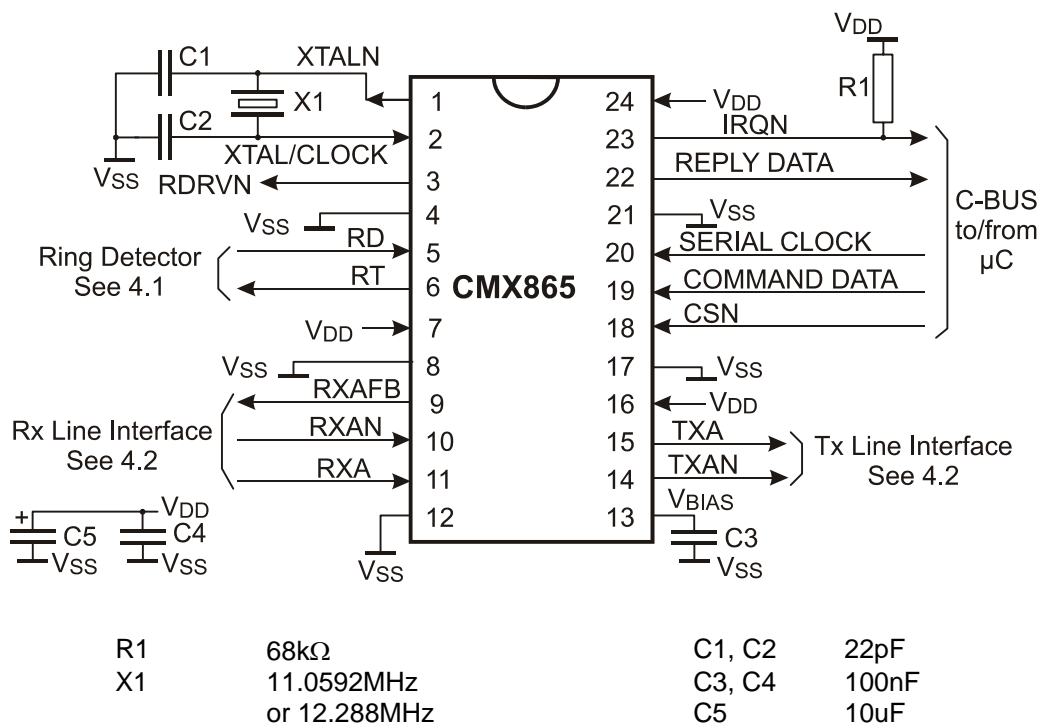
Figure 1 Block Diagram

3. Signal List

CMX865D2	Signal		Description
Pin No.	Name	Type	
1	XTALN	O/P	The output of the on-chip Xtal oscillator inverter.
2	XTAL/CLOCK	I/P	The input to the oscillator inverter from the Xtal circuit or external clock source.
3	RDRVN	O/P	Relay drive output, low resistance pull down to Vss when active and medium resistance pull up to VDD when inactive.
4, 8, 12, 17, 21	Vss	Power	The negative supply rail (ground).
5	RD	I/P	Schmitt trigger input to the Ring signal detector. Connect to Vss if Ring Detector not used.
6	RT	BI	Open drain output and Schmitt trigger input forming part of the Ring signal detector. Connect to VDD if Ring Detector not used.
7, 16, 24	VDD	Power	The positive supply rail. Levels and thresholds within the device are proportional to this voltage.
9	RXAFB	O/P	The output of the Rx Input Amplifier.
10	RXAN	I/P	The inverting input to the Rx Input Amplifier
11	RXA	I/P	The non-inverting input to the Rx Input Amplifier
13	VBIAS	O/P	Internally generated bias voltage of approximately $V_{DD} / 2$, except when the device is in 'Powersave' mode when VBIAS will discharge to Vss. Should be decoupled to Vss by a capacitor mounted close to the device pins.
14	TXAN	O/P	The inverted output of the Tx Output Buffer.
15	TXA	O/P	The non-inverted output of the Tx Output Buffer.
18	CSN	I/P	The C-BUS chip select input from the μC .
19	COMMAND DATA	I/P	The C-BUS serial data input from the μC .
20	SERIAL CLOCK	I/P	The C-BUS serial clock input from the μC .
22	REPLY DATA	T/S	A 3-state C-BUS serial data output to the μC . This output is high impedance when not sending data to the μC .
23	IRQN	O/P	A 'wire-ORable' output for connection to a μC Interrupt Request input. This output is pulled down to Vss when active and is high impedance when inactive. An external pullup resistor is required i.e. R1 of Figure 2.

Notes:

I/P	=	Input
O/P	=	Output
BI	=	Bidirectional
T/S	=	3-state Output
NC	=	No Connection

4. External Components

Resistors $\pm 5\%$, capacitors $\pm 20\%$ unless otherwise stated.

Figure 2 Recommended External Components for a Typical Application

This device is capable of detecting and decoding small amplitude signals. To achieve this, VDD and VBIAS should be decoupled and the receive path protected from extraneous in-band signals. It is recommended that the printed circuit board is laid out with a VSS ground plane in the CMX865 area to provide a low impedance connection between the VSS pins and the VDD and VBIAS decoupling capacitors. The VSS connections to the Xtal oscillator capacitors C1 and C2 should also be low impedance and preferably be part of the VSS ground plane to ensure reliable start up of the oscillator.

For best results, an Xtal oscillator design should drive the clock inverter input with signal levels of at least 40% of VDD peak-to-peak. Tuning-fork Xtals generally cannot meet this requirement. To obtain Xtal oscillator design assistance, please consult your Xtal manufacturer.

4.1 Ring Detector Interface

Figure 3 shows how the CMX865 may be used to detect the large amplitude ringing signal voltage present on the 2-wire line at the start of an incoming telephone call.

The ringing signal is usually applied at the subscriber's exchange as an ac voltage inserted in series with one of the telephone wires, and will pass through either C20 and R20 or C21 and R21 to appear at the top end of R22 (point X in Figure 3) in a rectified and attenuated form.

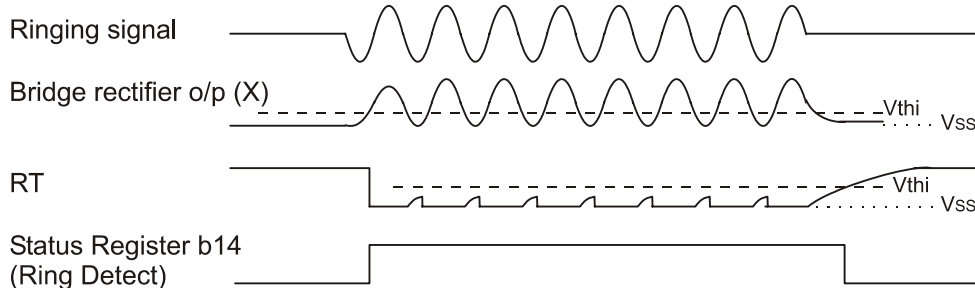
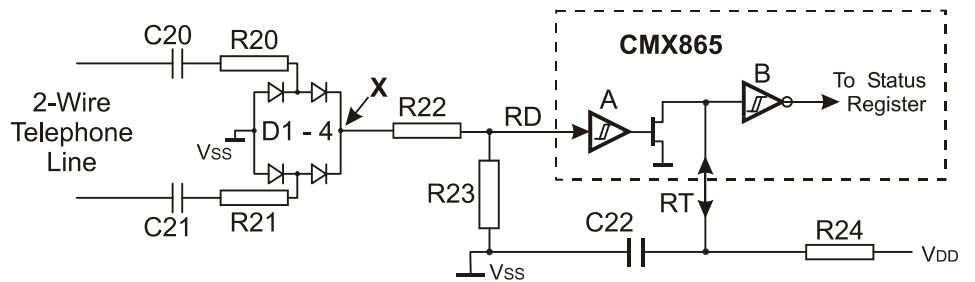
The signal at point X is further attenuated by the potential divider formed by R22 and R23 before being applied to the CMX865 RD input. If the amplitude of the signal appearing at RD is greater than the input threshold (V_{thi}) of Schmitt trigger 'A' then the N transistor connected to RT will be turned on, pulling the voltage at RT to V_{SS} by discharging the external capacitor C22. The output of the Schmitt trigger 'B' will then go high, setting b14 (Ring Detect) of the Status Register.

The minimum amplitude ringing signal that is certain to be detected is:

$$(0.7 + V_{thi} \times [R20 + R22 + R23] / R23) \times 0.707 \text{ Vrms}$$

where V_{thi} is the high-going threshold voltage of the Schmitt trigger A (see section 7.1).

With R20-22 all 470kΩ as Figure 3, then setting R23 to 39kΩ will guarantee detection of ringing signals of 44V_{rms} and above for a nominal V_{DD} of 3.3V.



R20, 21, 22	470kΩ	C20, 21	0.1μF
R23	See text	C22	0.33μF
R24	470kΩ	D1-4	1N4004

Resistors ±5%, capacitors ±20%

Figure 3 Ringing Signal Detector Interface Circuit

If the time constant of R24 and C22 is large enough, then the voltage on RT will remain below the threshold of the 'B' Schmitt trigger for the duration of a ringing cycle.

The time for the voltage on RT to charge from V_{SS} towards V_{DD} can be derived from the formula

$$V_{RT} = V_{DD} \times [1 - \exp(-t/(R24 \times C22))]]$$

As the Schmitt trigger high-going input threshold voltage (V_{thi}) has a minimum value of $0.56 \times V_{DD}$, then the Schmitt trigger B output will remain high for a time of at least $0.821 \times R24 \times C22$ following a pulse at RD.

The values of R24 and C22 given in Figure 3 ($470k\Omega$ and $0.33\mu F$) give a minimum RT charge time of 100 msec, which is adequate for ringing frequencies of 10Hz or above.

Note that the circuit will also respond to a telephone line voltage reversal. If necessary the μC can distinguish between a ringing signal and a line voltage reversal by measuring the time that b14 of the Status Register (Ring Detect) is high.

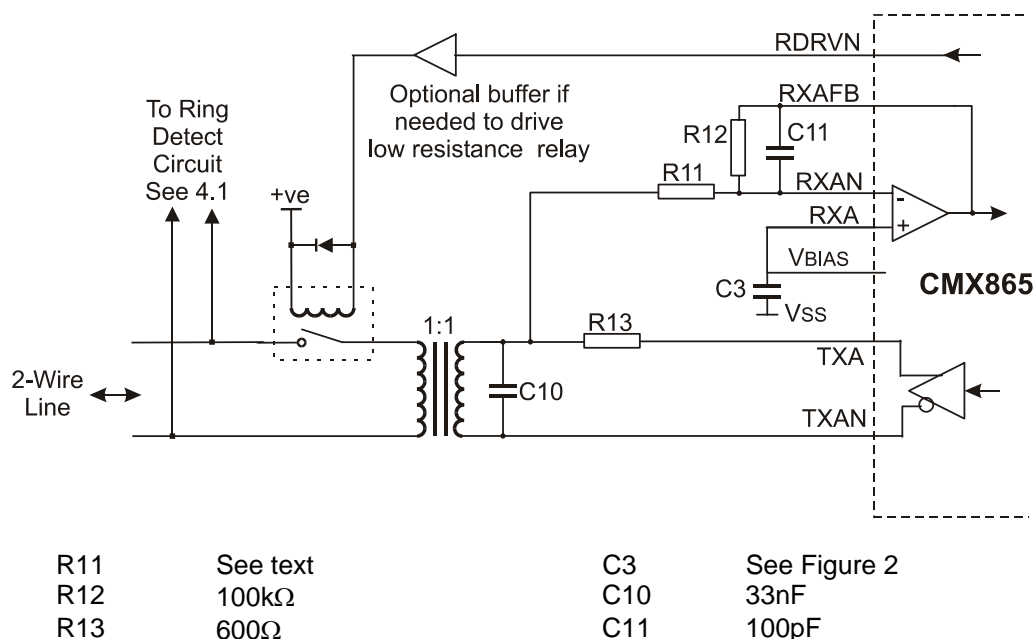
If the Ring Detect function is not used then pin RD should be connected to V_{SS} and RT to V_{DD} .

4.2 Line Interface

A line interface circuit is needed to provide dc isolation and to terminate the line. Typical interface circuits are described below.

2-Wire Line Interface

Figure 4a shows a simplified interface for use with a 600Ω 2-wire line. The complex line termination is provided by R13 and C10, high frequency noise is attenuated by C10 and C11, while R11 and R12 set the receive signal level into the modem. For clarity the 2-wire line protection circuits have not been shown.



Resistors $\pm 5\%$, capacitors $\pm 20\%$

Figure 4a 2-Wire Line Interface Circuit

Resistor R13 is used to match the ac impedance of the interface to the line. With an ideal transformer this resistor would be equal to the desired impedance (e.g. 600Ω); however in practice with a real transformer, R13 should be set such that the interface as a whole presents the desired impedance. Line transformer manufacturers normally provide guidance in this regard.

The transmit line signal level is determined by the voltage swing between the TXA and TXAN pins, less 6dB due to the line termination, and less the loss in the line coupling transformer.

Allowing for 1dB loss in the transformer, then with the Tx Mode Register set for a Tx Level Control gain of 0dB the nominal transmit line levels will be:

	VDD = 3.3V
Tx modem modes	-9.2dBm
Single tone transmit mode	-9.2dBm
DTMF transmit mode	-5.2 and -7.2 dBm

For a line impedance of 600Ω , 0dBm = 775mVrms. See also section 7.1.3

In the receive direction, the signal detection thresholds within the CMX865 are proportional to VDD and are affected by the Rx Gain Control gain setting in the Rx Mode Register. The signal level into the CMX865 is affected by the line coupling transformer loss and the values of R11 and R12 of Figure 4a.

Assuming 1dB transformer loss, the Rx Gain Control programmed to 0dB and $R12 = 100k\Omega$, then for correct operation (see section 7.1.3) the value of R11 should be equal to $500 / V_{DD} k\Omega$ i.e. $150k\Omega$ at 3.3V.

For best Rx performance it is recommended that the transformer coupling arrangement should provide at least 7dB trans-hybrid loss. This is achieved by minimising the amount of the transmitted signal presented to the receiver at RXAFB. A mis-match between the transformer impedance and R13 will result in a proportion of the transmitted signal being fed to the receiver op-amp circuit via R11. The effect of this can be significantly nulled by careful selection of the potential divider components R14 and R15 to provide a cancellation signal at RXA. (Note: with an ideal transformer, R13 would be set equal to the line impedance, and R14 would be set equal to R15.

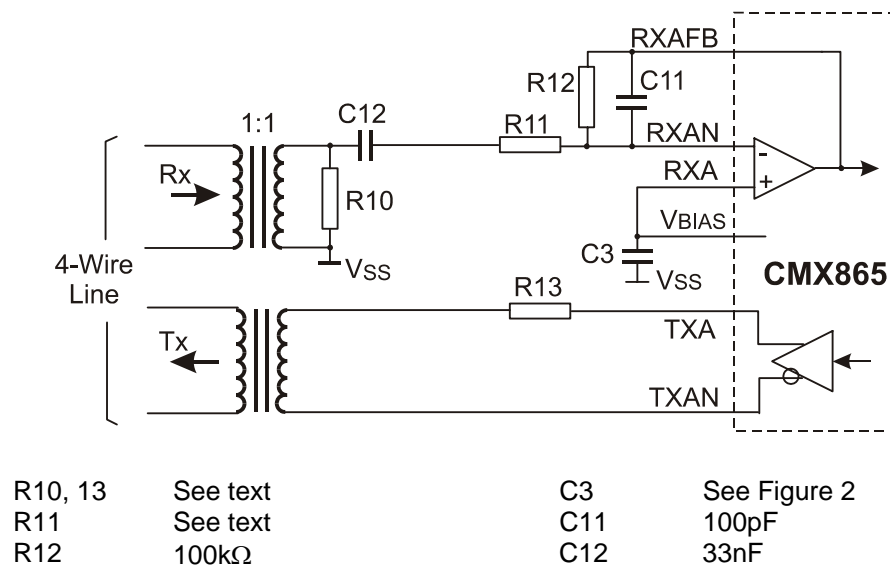
As an example, the following component values are appropriate for use with the MIDCOM 82111 line transformer:

R11	See text	C10	33nF
R12	$100k\Omega$	C11	100pF
R13	392Ω		

4-Wire Line Interface

Figure 4b shows a simplified interface for use with a 600Ω 4-wire line. The line terminations are provided by R10 and R13, the values of which are dependent on the choice of transformer: see notes above. High frequency noise is attenuated by C11 while R11 and R12 set the receive signal level into the modem.

Transmit and receive line level settings and the value of R11 are as for the 2-wire circuit.



Resistors $\pm 5\%$, capacitors $\pm 20\%$

Figure 4b 4-Wire Line Interface Circuit

5. General Description

The CMX865 transmit and receive operating modes are independently programmable.

The transmit mode can be set to any one of the following:

Bell 103 modem. 300bps FSK.

V.23 modem. 1200 or 75bps FSK.

Bell 202 modem. 1200 or 150bps FSK.

DTMF transmit.

Single tone transmit (from a range of modem calling, answer and other tone frequencies)

User programmed tone or tone pair transmit (programmable frequencies and levels)

Disabled.

The receive mode can be set to any one of the following:

Bell 103 modem. 300bps FSK.

V.23 modem. 1200 or 75bps FSK.

Bell 202 modem. 1200 or 150bps FSK.

DTMF detect.

2100Hz and 2225Hz answer tone detect.

Call progress signal detect.

User programmed tone or tone pair detect.

Disabled.

The CMX865 may also be set into a powersave mode which disables all circuitry except for the C-BUS interface and the Ring Detector.

5.1 Tx USART

A flexible Tx USART is provided for all modem modes. It can be programmed to transmit continuous patterns, Start-Stop characters or Synchronous Data.

In both Synchronous Data and Start-Stop modes the data to be transmitted is written by the μ C into the 8-bit C-BUS Tx Data Register from which it is transferred to the Tx Data Buffer.

If Synchronous Data mode has been selected the 8 data bits in the Tx Data Buffer are transmitted serially, b0 being sent first.

In Start-Stop mode a single Start bit is transmitted, followed by 5, 6, 7 or 8 data bits from the Tx Data Buffer - b0 first - followed by an optional Parity bit then - normally - one or two Stop bits. The Start, Parity and Stop bits are generated by the USART as determined by the Tx Mode Register settings and are not taken from the Tx Data Register.

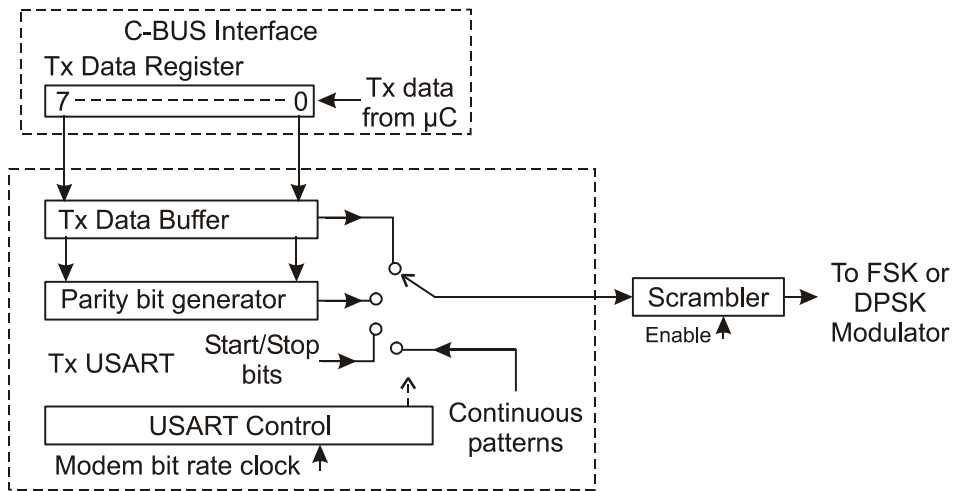


Figure 5a Tx USART

Every time the contents of the C-BUS Tx Data Register are transferred to the Tx Data Buffer the Tx Data Ready flag bit of the Status Register is set to 1 to indicate that a new value should be loaded into the C-BUS Tx Data Register. This flag bit is cleared to 0 when a new value is loaded into the Tx Data Register.

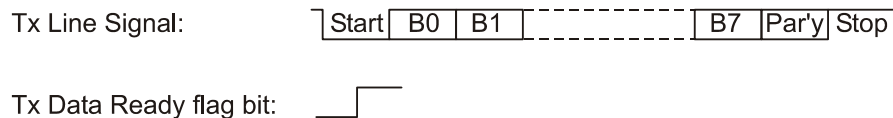


Figure 5b Tx USART Function (Start-Stop mode, 8 Data Bits + Parity)

If a new value is not loaded into the Tx Data Register in time for the next Tx Data Register to Tx Data Buffer transfer then the Status Register Tx Data Underflow bit will be set to 1. In this event the contents of the Tx Data Buffer will be re-transmitted if Synchronous Data mode has been selected, or if the Tx modem is in Start-Stop mode then a continuous Stop signal (1) will be transmitted until a new value is loaded into the Tx Data Register.

In all modes the transmitted bit and baud rates are the nominal rates for the selected modem type, with an accuracy determined by the XTAL frequency accuracy.

5.2 FSK Modulator

Serial data from the USART is fed to the FSK modulator if V.23, Bell 103 or Bell 202 mode has been selected.

The FSK modulator generates one of two frequencies according to the transmit mode and the value of current transmit data bit.

5.3 Tx Filter and Equaliser

The FSK modulator output signal is fed through the Transmit Filter and Equaliser block which limits the out-of-band signal energy to acceptable limits. In 1200bps modem modes this block includes a fixed compromise line equaliser which is automatically set for the particular modulation type and frequency band being employed. This fixed compromise line equaliser may be enabled or disabled by b10 of the General Control Register. The amount of Tx equalisation provided compensates for one quarter of the relative amplitude and delay distortion of ETS Test Line 1 over the frequency band used.

5.4 DTMF/Tone Generator

In DTMF/Tones mode this block generates DTMF signals or single or dual frequency tones.

5.5 Tx Level Control and Output Buffer

The outputs (if present) of the Transmit Filter and DTMF/Tone Generator are summed then passed through the programmable Tx Level Control and Tx Output Buffer to the pins TXA and TXAN. The Tx Output Buffer has symmetrical outputs to provide sufficient line voltage swing at low values of V_{DD} and to reduce harmonic distortion of the signal.

5.6 Rx DTMF/Tones Detectors

In Rx Tones Detect mode the received signal, after passing through the Rx Gain Control block, is fed to the DTMF / Tones / Call Progress / Answer Tone detector. The user may select any one of four separate detectors:

The DTMF detector detects standard DTMF signals. A valid DTMF signal will set b5 of the Status Register to 1 for as long as the signal is detected.

The programmable tone pair detector includes two separate tone detectors (see Figure 10). The first detector will set b6 of the Status Register for as long as a valid signal is detected, the second detector sets b7, and b10 of the Status Register will be set when both tones are detected.

The call progress detector measures the amplitude of the signal at the output of a 275 - 665 Hz bandpass filter and sets b10 of the Status Register to 1 when the signal level exceeds the measurement threshold.

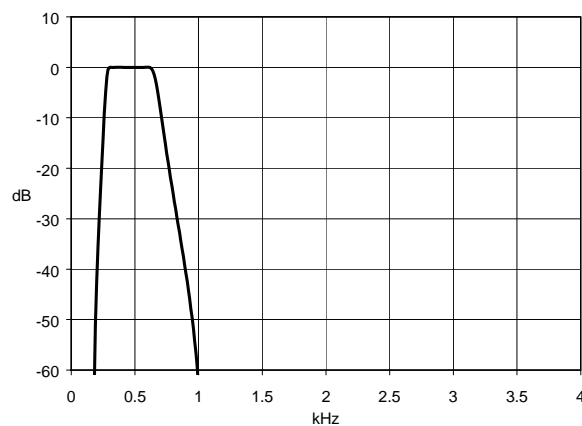


Figure 6a Response of Call Progress Filter

The Answer Tone detector measures both amplitude and frequency of the received signal and sets b6 or b7 of the Status Register when a valid 2225Hz or 2100Hz signal is received.

5.7 Rx Modem Filtering and Demodulation

When the receive part of the CMX865 is operating as a modem, the received signal is fed to a bandpass filter to attenuate unwanted signals and to provide fixed compromise line equalisation for 1200bps modem modes. The characteristics of the bandpass filter and equaliser are determined by the chosen receive modem type and frequency band. The line equaliser may be enabled or disabled by b10 of the General Control Register and compensates for one quarter of the relative amplitude and delay distortion of ETS Test Line 1.

The responses of these filters, including the line equaliser and the effect of external components used in Figures 4a and 4b, are shown in Figures 6b-c:

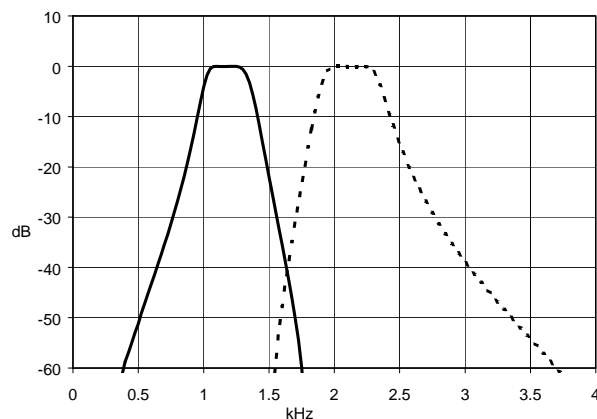


Figure 6b Bell 103 Rx Filters

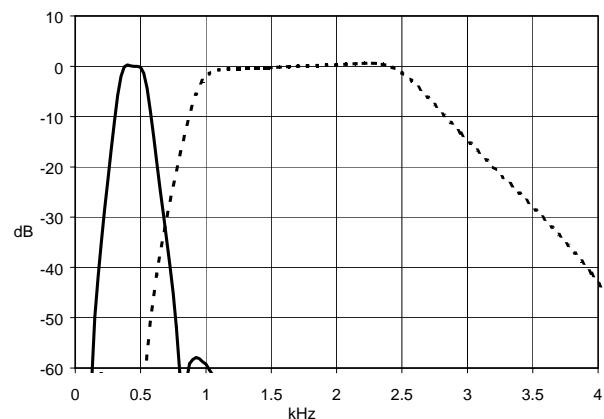


Figure 6c V.23/Bell 202 Rx Filters

The signal level at the output of the Receive Modem Filter and Equaliser is measured in the Modem Energy Detector block, compared to a threshold value, and the result controls b10 of the Status Register.

The output of the Receive Modem Filter and Equaliser is also fed to the FSK demodulator.

The FSK demodulator recognises individual frequencies as representing received '1' or '0' data bits:

The FSK demodulator produces a serial data bit stream which is fed to the Rx pattern detector and USART block, see Figure 7a. The demodulator input is also monitored for continuous alternating 1s and 0s.

5.8 Rx Modem Pattern Detectors

See Figure 7a.

The 1010.. pattern detector will set b9 of the Status Register when 32 bits of alternating 1's and 0's have been received.

The 'Continuous 0's' detector sets b8 of the Status Register when 32 consecutive 0's have been received.

The 'Continuous 1's' detector sets b7 of the Status Register when 32 consecutive 1's have been received.

All of these pattern detectors will hold the 'detect' output for 12 bit times after the end of the detected pattern unless the received bit rate or operating mode is changed, in which case the detectors are reset within 2 msec.

5.9 Rx Data Register and USART

A flexible Rx USART is provided for all modem modes. It can be programmed to treat the received data bit stream as Synchronous data or as Start-Stop characters.

In Synchronous mode the received data bits are all fed into the Rx Data Buffer which is copied into the C-BUS Rx Data Register after every 8 bits.

In Start-Stop mode the USART Control logic looks for the start of each character, then feeds only the required number of data bits (not parity) into the Rx Data Buffer. The parity bit (if used) and the presence of a Stop bit are then checked and the data bits in the Rx Data Buffer copied to the C-BUS Rx Data Register.

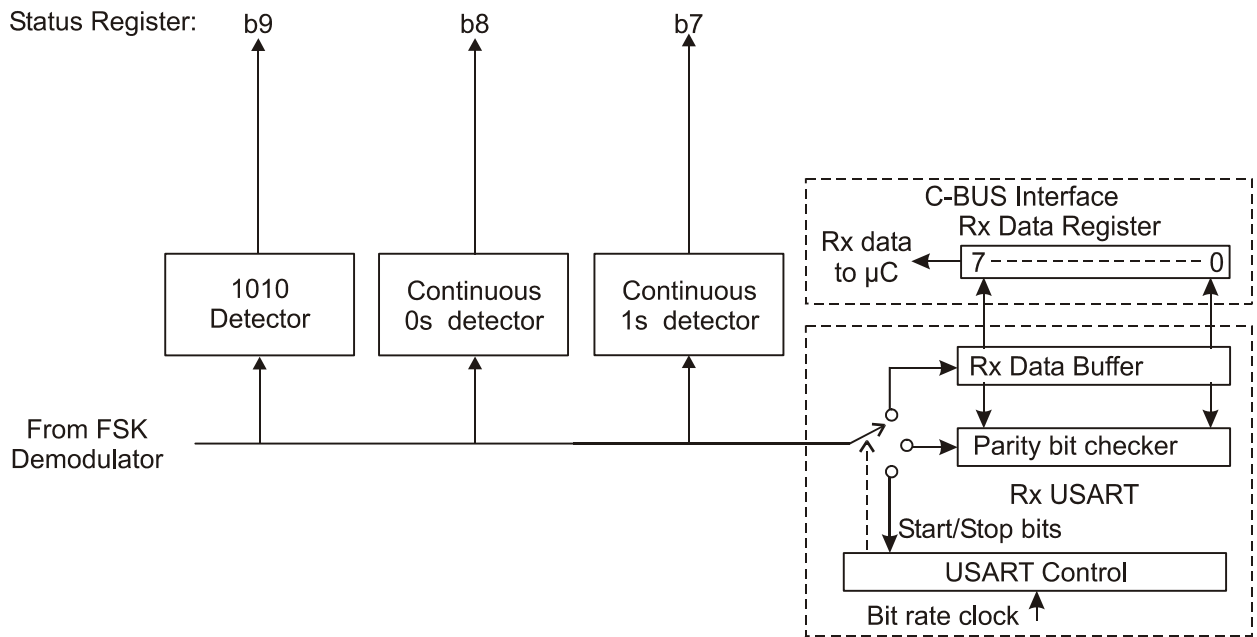


Figure 7a Rx Modem Data Paths

Whenever a new character is copied into the C-BUS Rx Data Register, the Rx Data Ready flag bit of the Status Register is set to '1' to prompt the μ C to read the new data and, in Start-Stop mode, the Even Rx Parity flag bit of the Status Register is updated.

In Start-Stop mode, if the Stop bit is missing (received as a '0' instead of a '1') the received character will still be placed into the Rx Data Register and the Rx Data Ready flag bit set, but the Status Register Rx Framing Error bit will also be set to '1' and the USART will re-synchronise onto the next '1' – '0' (Stop – Start) transition. The Rx Framing Error bit will remain set until the next character has been received.

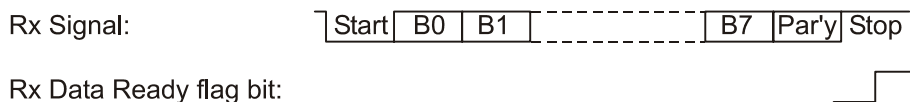


Figure 7b Rx USART Function (Start-Stop mode, 8 Data Bits + Parity)

If the μ C has not read the previous data from the Rx Data Register by the time that new data is copied to it from the Rx Data Buffer then the Rx Data Overflow flag bit of the Status Register will be set to 1.

The Rx Data Ready flag and Rx Data Overflow bits are cleared to 0 when the Rx Data Register is read by the μ C.

A received character which has all bits '0', including the Stop and any Parity bits, will always cause the Rx Framing Error bit to be set and the USART to re-synchronise onto the next '1' – '0' transition. Additionally the received Continuous 0s detector will respond when more than $2M + 3$ consecutive '0's are received, where 'M' is the selected total number of bits per character including Stop and any Parity bits.

5.10 C-BUS Interface

This block provides for the transfer of data and control or status information between the CMX865's internal registers and the μ C over the C-BUS serial bus. Each transaction consists of a single Register Address byte sent from the μ C which may be followed by a one or more data byte(s) sent from the μ C to be written into one of the CMX865's Write Only Registers, or a one or more byte(s) of data read out from one of the CMX865's Read Only Registers, as illustrated in Figure 8.

Data sent from the μ C on the Command Data line is clocked into the CMX865 on the rising edge of the Serial Clock input. Reply Data sent from the CMX865 to the μ C is valid when the Serial Clock is high. The CSN line must be held low during a data transfer and kept high between transfers. The C-BUS interface is compatible with most common μ C serial interfaces and may also be easily implemented with general purpose μ C I/O pins controlled by a simple software routine. Figure 13 gives detailed C-BUS timing requirements.

The following C-BUS addresses and registers are used by the CMX865:

General Reset Command (address only, no data).	Address \$01
General Control Register, 16-bit write only.	Address \$E0
Transmit Mode Register, 16-bit write-only.	Address \$E1
Receive Mode Register, 16-bit write-only.	Address \$E2
Transmit Data Register, 8-bit write only.	Address \$E3
Receive Data Register, 8-bit read-only.	Address \$E5
Status Register, 16-bit read-only.	Address \$E6
Programming Register, 16-bit write-only.	Address \$E8

Note: The C-BUS addresses \$E9, \$EA and \$EB are allocated for production testing and should not be accessed in normal operation.

5.10.1 General Reset Command

General Reset Command (no data) C-BUS address \$01

This command resets the device and clears all bits of the General Control, Transmit Mode and Receive Mode Registers and b15 and b13-0 of the Status Register.

Whenever power is applied to the CMX865, a General Reset command should be sent to the device, after which the General Control Register should be set as required.

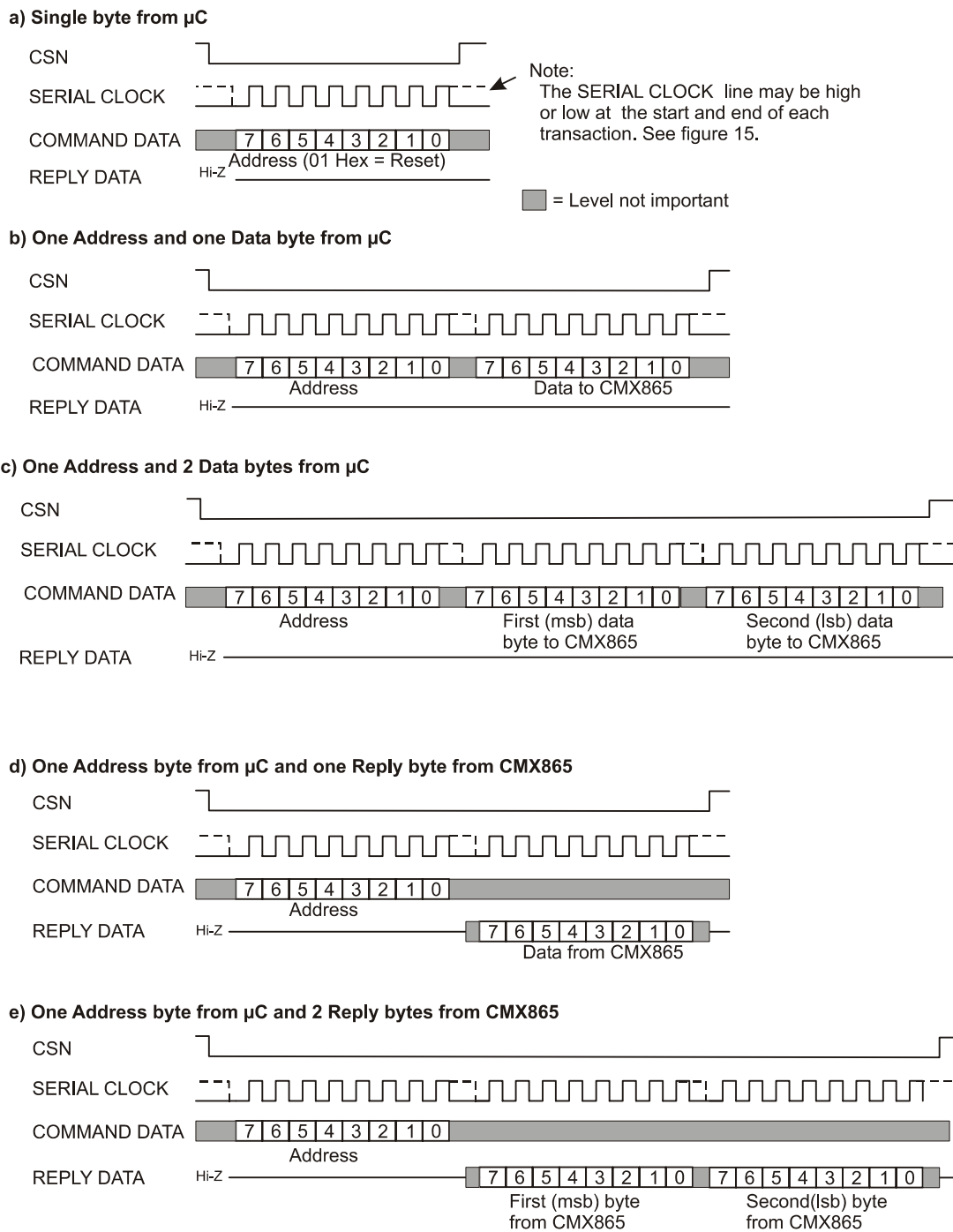


Figure 8 C-BUS Transactions

5.10.2 General Control Register

General Control Register: 16-bit write-only. C-BUS address \$E0

This register controls general features of the CMX865 such as the Powersave and Loopback modes, the IRQ mask bits and the Relay Drive output. It also allows the fixed compromise equalisers in the Tx and Rx signal paths to be disabled if desired, and sets the internal clock dividers to use either a 11.0592 or a 12.288 MHz XTAL frequency.

All bits of this register are cleared to 0 by a General Reset command.

Bit:	15	14	13	12	11	10	9	8	7	6	5	4	3	2	1	0
	0	TXA off	TXAN off	Xtal freq	LB	Equ	Rly drv	Pwr	Rst	Irqn en	IRQ Mask Bits					

General Control Register b15: Reserved, set to 0

General Control Register b14: Disconnect TXA Output

This bit allows the TXA output to be disconnected and set to high impedance.

b14 = 1	TXA output disconnected.
b14 = 0	TXA output connected (normal modem operation).

General Control Register b13: Disconnect TXAN Output

This bit allows the TXAN output to be disconnected and set to high impedance.

b13 = 1	TXAN output disconnected.
b13 = 0	TXAN output connected (normal modem operation).

General Control Register b12: Xtal Frequency

This bit should be set according to the Xtal frequency.

b12 = 1	11.0592MHz
b12 = 0	12.2880MHz

General Control Register b11: Analogue Loopback Test Mode

This bit controls the analogue loopback test mode. Note that in loopback test mode both Transmit and Receive Mode Registers should be set to the same modem type and band or bit rate.

b11 = 1	Local analogue loopback mode enabled
b11 = 0	No loopback (normal modem operation)

General Control Register b10: Tx and Rx Fixed Compromise Equalisers

This bit allows the Tx and Rx fixed compromise equalisers in the modem transmit and receive filter blocks to be disabled.

b10 = 1	Disable equalisers
b10 = 0	Enable equalisers (1200bps modem modes)

General Control Register b9: Relay Drive

This bit directly controls the RDRVN output pin.

b9 = 1	RDRVN output pin pulled to Vss
b9 = 0	RDRVN output pin pulled to VDD

General Control Register b8: Powerup

This bit controls the internal power supply to most of the internal circuits, including the Xtal oscillator and VBIAS supply. Note that the General Reset command clears this bit, putting the device into Powersave mode.

b8 = 1	Device powered up normally
b8 = 0	Powersave mode (all circuits except Ring Detect, RDRVN and C-BUS interface disabled)

When the power is first applied to the device, the following powerup procedure should be followed to ensure correct operation.

- i. Power is applied to the device
- ii. Issue a General Reset command
- iii. Write to the General Control Register (address \$E0) setting both the Powerup bit (b8) and the Reset bit (b7) to 1 – leave in this state for a minimum of 20ms – it is required that the crystal initially runs for this time in order to clock the internal logic into a defined state. The device is now powered up, with the crystal and V_{BIAS} supply operating, but is otherwise not running any transmit or receive functions.
- iv. The device is now ready to be programmed as and when required.

Examples:

 - A General Reset command could be issued to clear all the registers and therefore powersave the device.
 - The Reset bit in the General Control Register could be set to 0 as part of a routine to program all the relevant registers for setting up a particular operating mode.

When the device is switched from Powersave mode to normal operation by setting the Powerup bit to 1, the Reset bit should also be set to 1 and should be held at 1 for 20ms while the internal circuits, Xtal oscillator and V_{BIAS} stabilise before starting to use the transmitter or receiver.

General Control Register b7: Reset

Setting this bit to 1 resets the CMX865's internal circuitry, clearing all bits of the Transmit and Receive Mode Registers and b13-0 of the Status Register.

b7 = 1	Internal circuitry in a reset condition.
b7 = 0	Normal operation

General Control Register b6: IRQNEN (IRQN O/P Enable)

Setting this bit to 1 enables the IRQN output pin.

b6 = 1	IRQN pin driven low (to Vss) if the IRQ bit of the Status Register = 1
b6 = 0	IRQN pin disabled (high impedance)

General Control Register b5-0: IRQ Mask Bits

These bits affect the operation of the IRQ bit of the Status Register as described in section 5.10.7

5.10.3 Transmit Mode Register

Transmit Mode Register: 16-bit write-only. C-BUS address \$E1

This register controls the CMX865 transmit signal type and level. All bits of this register are cleared to 0 by a General Reset command, or when b7 (Reset) of the General Control Register is 1.

Bit:	15	14	13	12	11	10	9	8	7	6	5	4	3	2	1	0
	0	Tx mode = modem			Tx level			0	0	0	0	Start-stop / synch data		# data bits / synch data source		
	0	Tx mode = DTMF/Tones			Tx level			0	DTMF Twist			DTMF or Tone select				
	0	Tx mode = Disabled			Set to 0000 0000 0000											

Tx Mode Register b15: Reserved, set to 0

Tx Mode Register b14-12: Tx Mode

These three bits select the transmit operating mode.

b14	b13	b12		
1	1	1	Bell 103 300bps FSK	High band (Answering modem)
1	1	0	"	Low band (Calling modem)
1	0	1	V.23 FSK	1200bps
1	0	0	"	75bps
0	1	1	Bell 202 FSK	1200bps
0	1	0	"	150bps
0	0	1	DTMF / Tones	
0	0	0	Transmitter disabled	

Tx Mode Register b11-9: Tx Level

These three bits set the gain of the Tx Level Control block.

b11	b10	b9	
1	1	1	0dB
1	1	0	-1.5dB
1	0	1	-3.0dB
1	0	0	-4.5dB
0	1	1	-6.0dB
0	1	0	-7.5dB
0	0	1	-9.0dB
0	0	0	-10.5dB

Tx Mode Register b8: Reserved, set to 0

Tx Mode Register b7-5: DTMF Twist (Tx DTMF Mode)

These three bits allow for adjustment of the DTMF twist to compensate for the frequency response of different external circuits. The device varies the twist by making changes to the upper tone-group levels. Note that the twist cannot be adjusted mid-tone.

b7	b6	b5	
0	0	0	+2.0dB twist (normal setting when external response is flat)
0	0	1	+1.0dB twist
0	1	0	+1.5dB twist
0	1	1	+2.5dB twist (do not use in conjunction with the 0dB Tx level setting)
1	0	0	+3.0dB twist (do not use in conjunction with the 0dB Tx level setting)
1	0	1	+3.5dB twist (do not use in conjunction with the 0dB Tx level setting)
1	1	0	+4.0dB twist (do not use in conjunction with the 0dB Tx level setting)
1	1	1	+4.5dB twist (do not use in conjunction with the 0dB Tx level setting)

Tx Mode Register b4-3: Tx Data Format (Tx Modem Modes)

These two bits select Synchronous or Start-stop mode and the addition of a parity bit to transmitted characters in the Start-stop mode.

b4	b3	
1	1	Tx Synchronous mode
1	0	Tx Start-stop mode, no parity
0	1	Tx Start-stop mode, even parity bit added to data bits
0	0	Tx Start-stop mode, odd parity bit added to data bits

Tx Mode Register b2-0: Tx Data and Stop Bits (Tx Start-Stop Modes)

In Tx Start-stop mode these three bits select the number of Tx data and stop bits.

b2	b1	b0	
1	1	1	8 data bits, 2 stop bits
1	1	0	8 data bits, 1 stop bit
1	0	1	7 data bits, 2 stop bits
1	0	0	7 data bits, 1 stop bit
0	1	1	6 data bits, 2 stop bits
0	1	0	6 data bits, 1 stop bit
0	0	1	5 data bits, 2 stop bits
0	0	0	5 data bits, 1 stop bit

Tx Mode Register b2-0: Tx Data Source (Tx Synchronous Mode)

In Tx Synchronous mode (b4-3 = 11) these three bits select the source of the data fed to the Tx FSK modulator.

b2	b1	b0	
1	x	x	Data bytes from Tx Data Buffer
0	1	1	Continuous 1s
0	1	0	Continuous 0s
0	0	x	Continuous alternating 1s and 0s

Tx Mode Register b3-0: DTMF/Tones Mode

If DTMF/Tones transmit mode has been selected (Tx Mode Register b14-12 = 001), then b7-5 should be set to 000 and b4-0 will select a DTMF signal, a fixed tone or one of four programmed tones or tone pairs for transmission.

b4 = 0: Tx fixed tone or programmed tone pair

b3	b2	b1	b0	Tone frequency (Hz)	
0	0	0	0	No tone	
0	0	0	1	697	
0	0	1	0	770	
0	0	1	1	852	
0	1	0	0	941	
0	1	0	1	1209	
0	1	1	0	1336	
0	1	1	1	1477	
1	0	0	0	1633	
1	0	0	1	1300	(Calling tone)
1	0	1	0	2100	(Answer tone)
1	0	1	1	2225	(Answer tone)
1	1	0	0	Tone pair TA	Programmed Tx tone or tone pair, see 5.10.8
1	1	0	1	Tone pair TB	"
1	1	1	0	Tone pair TC	"
1	1	1	1	Tone pair TD	"

b4 = 1: Tx DTMF

b3	b2	b1	b0	Low frequency (Hz)	High frequency (Hz)	Keypad symbol
0	0	0	0	941	1633	D
0	0	0	1	697	1209	1
0	0	1	0	697	1336	2
0	0	1	1	697	1477	3
0	1	0	0	770	1209	4
0	1	0	1	770	1336	5
0	1	1	0	770	1477	6
0	1	1	1	852	1209	7
1	0	0	0	852	1336	8
1	0	0	1	852	1477	9
1	0	1	0	941	1336	0
1	0	1	1	941	1209	*
1	1	0	0	941	1477	#
1	1	0	1	697	1633	A
1	1	1	0	770	1633	B
1	1	1	1	852	1633	C

5.10.4 Receive Mode Register

Receive Mode Register: 16-bit write-only. C-BUS address \$E2

This register controls the CMX865 receive signal type and level.

All bits of this register are cleared to 0 by a General Reset command, or when b7 (Reset) of the General Control Register is 1.

Bit:	15	14	13	12	11	10	9	8	7	6	5	4	3	2	1	0
0	Rx mode = Modem			Rx level			0	0	0	Start-stop/Synch			No. of bits and parity			
0	Rx mode = Tones detect			Rx level			DTMF/Tones/Call Progress select									
0	Rx mode = Disabled			Set to 0000 0000 0000												

Rx Mode Register b15: Reserved, set to 0

Rx Mode Register b14-12: Rx Mode

These three bits select the receive operating mode.

b14	b13	b12		
1	1	1	Bell 103 300bps FSK	High band (Calling modem)
1	1	0	"	Low band (Answering modem)
1	0	1	V.23 FSK	1200bps
1	0	0	"	75bps
0	1	1	Bell 202 FSK	1200bps
0	1	0	"	150bps
0	0	1	Tones detect	
0	0	0	Receiver disabled	

Rx Mode Register b11-9: Rx Level

These three bits set the gain of the Rx Gain Control block.

b11	b10	b9	
1	1	1	0dB
1	1	0	-1.5dB
1	0	1	-3.0dB
1	0	0	-4.5dB
0	1	1	-6.0dB
0	1	0	-7.5dB
0	0	1	-9.0dB
0	0	0	-10.5dB

Rx Mode Register b5-3: Rx USART Setting (Rx Modem Modes)

These three bits select the Rx USART operating mode.

b5	b4	b3	
1	1	1	Rx Synchronous mode
1	1	0	Rx Start-stop mode
1	0	x	Reserved
0	x	x	Rx USART function disabled

Rx Mode Register b2-0: Rx Data Bits and Parity (Rx Start-Stop Modes)

In Rx Start-stop mode these three bits select the number of data bits (plus any parity bit) in each received character. These bits are ignored in Rx Synchronous mode.

b2	b1	b0	
1	1	1	8 data bits + parity
1	1	0	8 data bits
1	0	1	7 data bits + parity
1	0	0	7 data bits
0	1	1	6 data bits + parity
0	1	0	6 data bits
0	0	1	5 data bits + parity
0	0	0	5 data bits

Rx Mode Register b2-0: Tones Detect Mode

In Tones Detect Mode (Rx Mode Register b14-12 = 001) b8-3 should be set to 000000. These three bits select the detector type.

b2	b1	b0	
1	0	0	Programmable Tone Pair Detect
0	1	1	Call Progress Detect
0	1	0	2100Hz, 2225Hz Answer Tone Detect
0	0	1	DTMF Detect
0	0	0	Disabled

5.10.5 Tx Data Register

Tx Data Register: 8-bit write-only. C-BUS address \$E3

Bit:	7	6	5	4	3	2	1	0
Data bits to be transmitted								

In Tx Synchronous mode, this register contains the next 8 data bits to be transmitted. b0 is transmitted first.

In Tx Start-Stop mode, the specified number of data bits will be transmitted from this register (b0 first). A Start bit, a Parity bit (if required) and Stop bit(s) will be added automatically.

This register should only be written to when the Tx Data Ready bit of the Status Register is 1.

5.10.6 Rx Data Register

Rx Data Register: 8-bit read-only. C-BUS address \$E5

Bit:	7	6	5	4	3	2	1	0
Received data bits								

In Rx synchronous mode, this register contains 8 received data bits, b0 of the register holding the earliest received bit, b7 the latest.

In Rx Start-Stop mode, this register contains the specified number of data bits from a received character, b0 holding the first received bit.

5.10.7 Status Register

Status Register: 16-bit read-only. C-BUS address \$E6

All the bits of this register (except b15-14) are cleared to 0 by a General Reset command, or when b7 (Reset) of the General Control Register is 1.

Bit:	15	14	13	12	11	10	9	8	7	6	5	4	3	2	1	0
	IRQ	RD	PF	See below for uses of these bits												

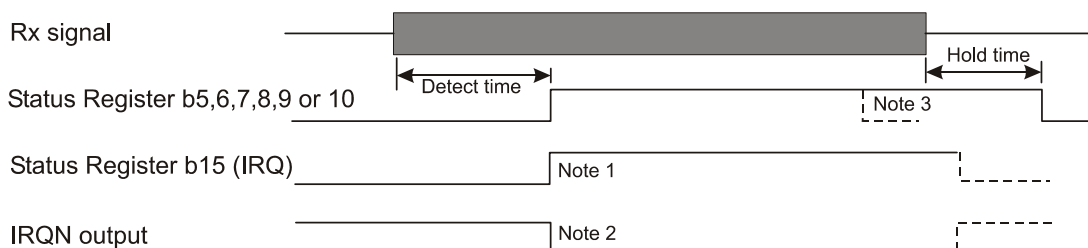
The meanings of the Status Register b12-0 depend on whether the receive circuitry is in Modem or Tones Detect mode.

Status Register bits:

	Rx Modem modes	Rx Tones Detect modes	** IRQ Mask bit
b15	IRQ		
b14	Set to 1 on Ring Detect		b5
b13	Programming Flag bit. See 5.10.8		b4
b12	Set to 1 on Tx data ready. Cleared by write to Tx Data Register		b3
b11	Set to 1 on Tx data underflow. Cleared by write to Tx Data Register		b3
b10	1 when energy is detected in Rx modem signal band	1 when energy is detected in Call Progress band or when both programmable tones are detected	b2
b9	1 when '1010..' pattern is detected	0	b1
b8	1 when continuous 0s detected	0	b1
b7	1 when continuous 1s detected	1 when 2100Hz answer tone or the second programmed tone is detected	b1
b6	Set to 1 on Rx data ready. Cleared by read from Rx Data Register	1 when 2225Hz answer tone or the first programmed tone is detected	b0
b5	Set to 1 on Rx data overflow. Cleared by read from Rx Data Register	1 when DTMF code is detected	b0
b4	Set to 1 on Rx framing error	0	-
b3	Set to 1 on even Rx parity	Rx DTMF code b3, see table	-
b2	0	Rx DTMF code b2	-
b1	0	Rx DTMF code b1	-
b0	FSK frequency demodulator output	Rx DTMF code b0	-

Notes: ** This column shows the corresponding IRQ Mask bits in the General Control Register. A 0-to-1 transition on any of the Status Register b14-5 will cause the IRQ b15 to be set to 1 if the corresponding IRQ Mask bit is 1. The IRQ bit is cleared by a read of the Status Register or a General Reset command or by setting b7 or b8 of the General Control Register to 1.

The operation of the data demodulator and pattern detector circuits within the CMX865 does not depend on the state of the Rx energy detect function.



- Notes:
1. IRQ will go high only if appropriate IRQ Mask bit in General Control Register is set. The IRQ bit is cleared by a read of the Status Register.
 2. IRQN o/p will go low when IRQ bit high if IRQNEN bit of General Control Register is set
 3. In Rx Modem modes Status Register b5 and b6 are set by a Rx Data Ready or Rx Data Underflow event and cleared by a read of the Rx Data Register

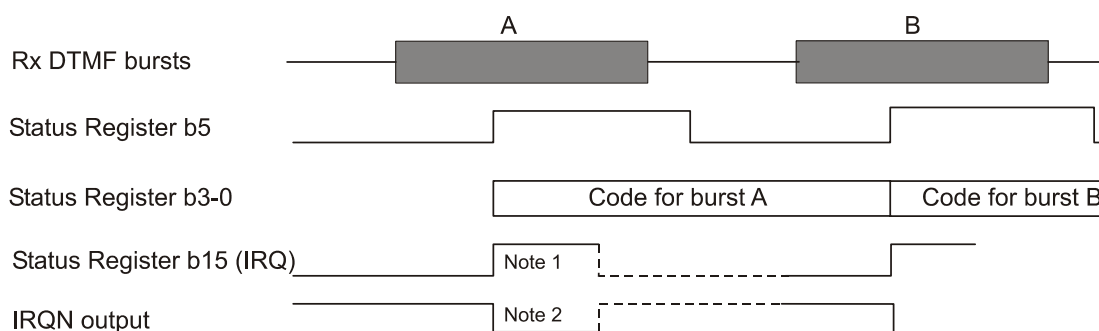
Figure 9a Operation of Status Register b10-5

The IRQN output pin will be pulled low (to Vss) when the IRQ bit of the Status Register and the IRQNEN b6 of the General Control Register are both 1.

Changes to Status Register bits caused by a change of Tx or Rx operating mode can take up to 150µs to take effect.

In powersave mode or when the reset bit of the General Control Register is 1, the Ring Detect bit continues to operate.

In Rx modem modes b2-1 will be zero and b0 will show the output of the frequency demodulator, updated at 8 times the nominal data rate.



- Notes:
1. IRQ will go high only if the IRQ Mask b0 in the General Control Register is set. The IRQ bit is cleared by a read of the Status Register.
 2. IRQN o/p will go low when IRQ bit high if IRQNEN bit of General Control Register is set

Figure 9b Operation of Status Register in DTMF Rx Mode

b3	b2	b1	b0	Low frequency (Hz)	High frequency (Hz)	Keypad symbol
0	0	0	0	941	1633	D
0	0	0	1	697	1209	1
0	0	1	0	697	1336	2
0	0	1	1	697	1477	3
0	1	0	0	770	1209	4
0	1	0	1	770	1336	5
0	1	1	0	770	1477	6
0	1	1	1	852	1209	7
1	0	0	0	852	1336	8
1	0	0	1	852	1477	9
1	0	1	0	941	1336	0
1	0	1	1	941	1209	*
1	1	0	0	941	1477	#
1	1	0	1	697	1633	A
1	1	1	0	770	1633	B
1	1	1	1	852	1633	C

Received DTMF Code: Status Register b3-0

5.10.8 Programming Register

Programming Register : 16-bit write-only. C-BUS address \$E8

This register is used to program the transmit and receive programmed tone pairs by writing appropriate values to RAM locations within the CMX865. Note that these RAM locations are cleared by Powersave or Reset.

The Programming Register should only be written to when the Programming Flag bit (b13) of the Status Register is 1. The act of writing to the Programming Register clears the Programming Flag bit. When the programming action has been completed (normally within 150µs) the CMX865 will set the bit back to 1.

When programming Transmit or Receive Tone Pairs, do not change the Transmit or Receive Mode Registers until programming is complete and the Programming Flag bit has returned to 1.

Transmit Tone Pair Programming

4 transmit tone pairs (TA to TD) can be programmed.

The frequency (max 3.4kHz) and level must be entered for each tone to be used.

Single tones are programmed by setting both level and frequency values to zero for one of the pair.

Programming is done by writing a sequence of up to seventeen 16-bit words to the Programming Register. The first word should be 32768 (8000 hex), the following 16-bit words set the frequencies and levels and are in the range 0 to 16383 (0-3FFF hex)

Word	Tone Pair	Value written
1		32768
2	TA	Tone 1 frequency
3	TA	Tone 1 level
4	TA	Tone 2 frequency
5	TA	Tone 2 level
6	TB	Tone 1 frequency
7	TB	Tone 1 level
---	---	-----
---	---	-----
16	TD	Tone 2 frequency
17	TD	Tone 2 level

The frequency values to be entered are calculated from the formula:

$$\text{Value to be entered} = \text{desired frequency (Hz)} * 3.414$$

i.e. for 1kHz the value to be entered is 3414 (or 0D56 in Hex).

The level values to be entered are calculated from the formula:

$$\text{Value to be entered} = \text{desired } V_{rms} * 93780 / V_{DD}$$

i.e. for 0.5V_{rms} at V_{DD} = 3.3V, the value to be entered is 14209 (3781 in Hex)

Note that allowance should be made for the transmit signal filtering in the CMX865 which attenuates the output signal for frequencies above 2kHz by 0.25dB at 2.5kHz, by 1dB at 3kHz and by 2.2dB at 3.4kHz.

On powerup or after a reset, the tone pairs TA-TC are set to notone, and TD set to generate 2130Hz + 2750Hz at approximately -20dBm each.

Receive Tone Pair Programming

The programmable tone pair detector is implemented as shown in Figure 10a. The filters are 4th order IIR sections. The frequency detectors measure the time taken for a programmable number of complete input signal cycles, and compare this time against programmable upper and lower limits.

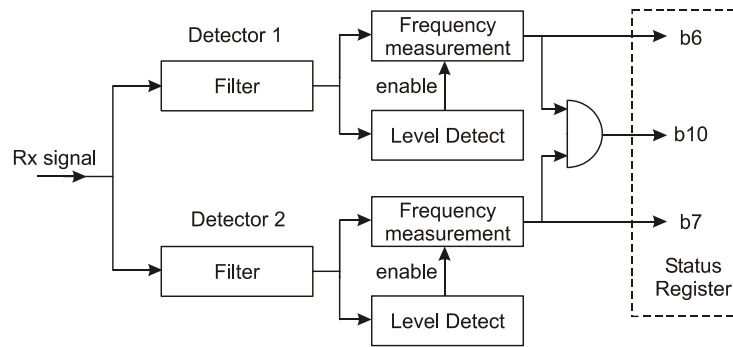


Figure 10a Programmable Tone Detectors

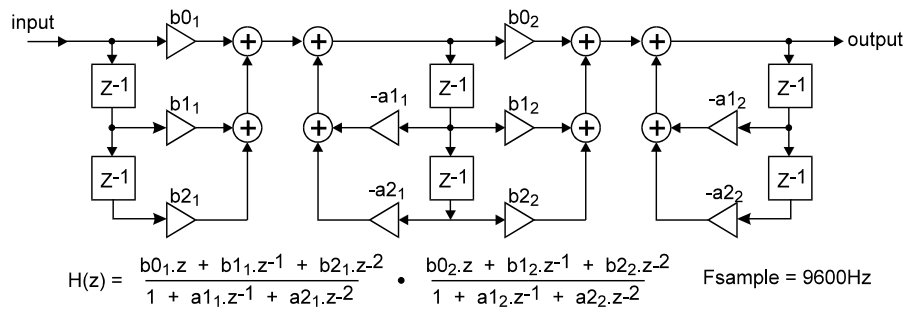


Figure 10b Filter Implementation

Programming is done by writing a sequence of twenty-seven 16-bit words to the Programming Register. The first word should be 32769 (8001 hex), the following twenty-six 16-bit words set the frequencies and levels and are in the range 0 to 32767 (0000-7FFF hex).

Word	Value written	Word	Value written
1	32769	15	Filter #2 coefficient b2 ₁
2	Filter #1 coefficient b2 ₁	16	Filter #2 coefficient b1 ₁
3	Filter #1 coefficient b1 ₁	17	Filter #2 coefficient b0 ₁
4	Filter #1 coefficient b0 ₁	18	Filter #2 coefficient a2 ₁
5	Filter #1 coefficient a2 ₁	19	Filter #2 coefficient a1 ₁
6	Filter #1 coefficient a1 ₁	20	Filter #2 coefficient b2 ₂
7	Filter #1 coefficient b2 ₂	21	Filter #2 coefficient b1 ₂
8	Filter #1 coefficient b1 ₂	22	Filter #2 coefficient b0 ₂
9	Filter #1 coefficient b0 ₂	23	Filter #2 coefficient a2 ₂
10	Filter #1 coefficient a2 ₂	24	Filter #2 coefficient a1 ₂
11	Filter #1 coefficient a1 ₂	25	Freq measurement #2 ncycles
12	Freq measurement #1 ncycles	26	Freq measurement #2 mintime
13	Freq measurement #1 mintime	27	Freq measurement #2 maxtime
14	Freq measurement #1 maxtime		

The coefficients are entered as 15-bit signed (two's complement) integer values (the most significant bit of the 16-bit word entered should be zero) calculated as $8192 * \text{coefficient value}$ from the user's filter design program (i.e. this allows for filter design values of -1.9999 to +1.9999).

The design of the IIR filters should make allowance for the fixed receive signal filtering in the CMX865 which has a low pass characteristic above 1.5kHz of 0.4dB at 2kHz, 1.2dB at 2.5kHz, 2.6dB at 3kHz and 4.1dB at 3.4kHz.

'ncycles' is the number of signal cycles for the frequency measurement.

'mintime' is the smallest acceptable time for ncycles of the input signal expressed as the number of 9.6kHz timer clocks. i.e. $\text{'mintime'} = 9600 * \text{ncycles} / \text{high frequency limit}$

'maxtime' is the highest acceptable time for ncycles of the input signal expressed as the number of 9.6kHz timer clocks. i.e. $\text{'maxtime'} = 9600 * \text{ncycles} / \text{low frequency limit}$

The level detectors include hysteresis. The threshold levels - measured at the 2 or 4-wire line with unity gain filters, using the line interface circuits described in section 4.2, 1.0dB line coupling transformer loss and with the Rx Gain Control block set to 0dB - are nominally:

'Off' to 'On'	-44.5dBm
'On' to 'Off'	-47.0dBm

Note that if any changes are made to the programmed values while the CMX865 is running in Programmed Tone Detect mode they will not take effect until the CMX865 is next switched into Programmed Tone Detect mode.

On powerup or after a reset, the programmable tone pair detector is set to act as a simple 2130Hz + 2750Hz detector.

6. Application Notes

DAA designs, application notes, FAQs and other design resources can be found on the CML website.

7. Performance Specification

7.1 Electrical Performance

7.1.1 Absolute Maximum Ratings

Exceeding these maximum ratings can result in damage to the device.

	Min.	Max.	Units
Supply ($V_{DD} - V_{SS}$)	-0.3	4.5	V
Voltage on any pin to V_{SS}	-0.3	$V_{DD} + 0.3$	V
Current into or out of V_{DD} and V_{SS} pins	-50	+50	mA
Current into RDRVN pin (RDRVN pin low)		+50	mA
Current into or out of any other pin	-20	+20	mA

D2 Package	Min.	Max.	Units
Total Allowable Power Dissipation at $T_{amb} = 25^{\circ}\text{C}$		1000	mW
... Derating		13	mW/ $^{\circ}\text{C}$
Storage Temperature	-55	+125	$^{\circ}\text{C}$
Operating Temperature	-40	+85	$^{\circ}\text{C}$

7.1.2 Operating Limits

Correct operation of the device outside these limits is not implied.

	Notes	Min.	Max.	Units
Supply ($V_{DD} - V_{SS}$)		3.0	3.6	V
Operating Temperature		-40	+85	$^{\circ}\text{C}$

7.1.3 Operating Characteristics

For the following conditions unless otherwise specified:
 $V_{DD} = 3.0V$ to $3.6V$ at $T_{amb} = -40$ to $+85^{\circ}C$,
 Xtal Frequency = 11.0592 or $12.288MHz \pm 0.01\%$ (100ppm)
 0dBm corresponds to $775mV_{rms}$.

DC Parameters	Notes	Min.	Typ.	Max.	Units
I_{DD} (Powersave mode)	1, 2	-	2.0	-	μA
(Reset but not powersave, $V_{DD} = 3.3V$)	1, 3	-	2.0	4.0	mA
(Running, $V_{DD} = 3.3V$)	1	-	3.5	7.0	mA
Logic '1' Input Level	4	70%	-	-	V_{DD}
Logic '0' Input Level	4	-	-	30%	V_{DD}
Logic Input Leakage Current ($V_{in} = 0$ to V_{DD}), (excluding XTAL/CLOCK input)		-1.0	-	+1.0	μA
Output Logic '1' Level ($I_{OH} = 2$ mA)		80%	-	-	V_{DD}
Output Logic '0' Level ($I_{OL} = -3$ mA)		-	-	0.4	V
IRQN O/P 'Off' State Current ($V_{out} = V_{DD}$)		-	-	1.0	μA
RD and RT pin Schmitt trigger input high-going threshold (V_{thi}) (see Figure 11)		$0.56V_{DD}$	-	$0.56V_{DD}$ + $0.6V$	V
RD and RT pin Schmitt trigger input low-going threshold (V_{tlo}) (see Figure 11)		$0.44V_{DD}$ - $0.6V$	-	$0.44V_{DD}$	V
RDRVN 'ON' resistance to V_{SS} ($V_{DD} = 3.3V$)		-	50	70	Ω
RDRVN 'OFF' resistance to V_{DD} ($V_{DD} = 3.3V$)		-	1300	3000	Ω

- Notes:
1. At $25^{\circ}C$, not including any current drawn from the CMX865 pins by external circuitry other than X1, C1 and C2.
 2. All logic inputs at V_{SS} except for RT and CSN inputs which are at V_{DD} .
 3. General Mode Register b8-7 set to 11.
 4. Excluding RD and RT pins.

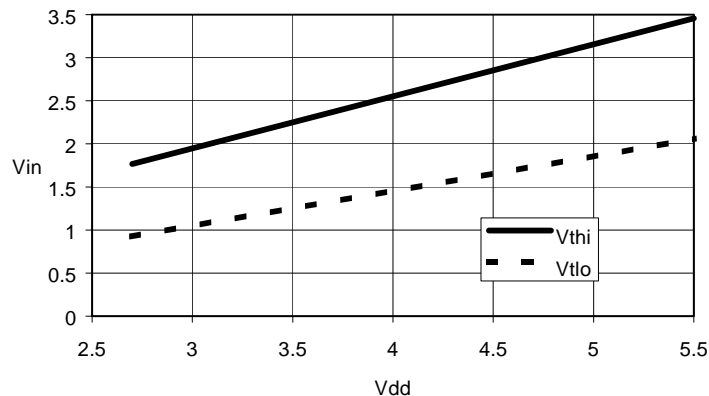


Figure 11 Typical Schmitt Trigger Input Voltage Thresholds vs. V_{DD}

XTAL/CLOCK Input (timings for an external clock input)	Notes	Min.	Typ.	Max.	Units
'High' Pulse Width		30	-	-	ns
'Low' Pulse Width		30	-	-	ns

Transmit Bell 103 FSK Mode	Notes	Min.	Typ.	Max.	Units
Baud rate	5	-	300	-	Baud
Mark (logical 1) frequency, high band		2222	2225	2228	Hz
Space (logical 0) frequency, high band		2022	2025	2028	Hz
Mark (logical 1) frequency, low band		1268	1270	1272	Hz
Space (logical 0) frequency, low band		1068	1070	1072	Hz
Transmit V.23 FSK Mode	Notes	Min.	Typ.	Max.	Units
Baud rate	5	-	1200/75	-	Baud
Mark (logical 1) frequency, 1200 baud		1298	1300	1302	Hz
Space (logical 0) frequency, 1200 baud		2097	2100	2103	Hz
Mark (logical 1) frequency, 75 baud		389	390	391	Hz
Space (logical 0) frequency, 75 baud		449	450	451	Hz
Transmit Bell 202 FSK Mode	Notes	Min.	Typ.	Max.	Units
Baud rate	5	-	1200/150	-	Baud
Mark (logical 1) frequency, 1200 baud		1198	1200	1202	Hz
Space (logical 0) frequency, 1200 baud		2197	2200	2203	Hz
Mark (logical 1) frequency, 150 baud		386	387	388	Hz
Space (logical 0) frequency, 150 baud		486	487	488	Hz
DTMF/Single Tone Transmit	Notes	Min.	Typ.	Max.	Units
Tone frequency accuracy		-0.2	-	+0.2	%
Distortion	6	-	1.0	2.0	%

- Notes:
5. Tx signal % baud or bit rate accuracy is the same as XTAL/CLOCK % frequency accuracy.
 6. Measured between TXA and TXAN pins with Tx Level Control gain set to 0dB, 1k Ω load between TXA and TXAN, at $V_{DD} = 3.3V$ (levels are proportional to V_{DD} - see section 4.2). Level measurements for all modem modes are performed with random transmitted data. 0dBm = 775mVrms.

Transmit Output Level	Notes	Min.	Typ.	Max.	Units
Modem and Single Tone modes	6	-3.2	-2.2	-1.2	dBm
DTMF mode, Low Group tones	6	-1.2	-0.2	+ 0.8	dBm
DTMF twist (level of high group tones wrt low group) setting accuracy	6	-1.0	-	+1.0	dB
Tx output buffer gain control accuracy	6	-0.25	-	+0.25	dB

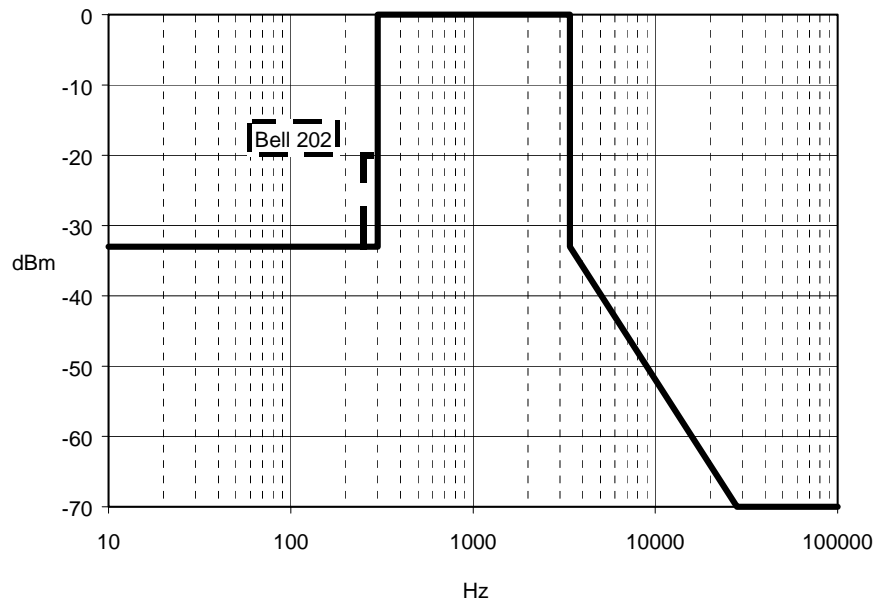


Figure 12 Maximum Out of Band Tx Line Energy Limits (see note 7)

- Notes: 7. Measured on the 2 or 4-wire line using the line interface circuits described in section 4.2 with the Tx line signal level set to -9.2dBm for FSK or single tones, -5.2dBm and -7.2dBm for DTMF tones. Excludes any distortion due to external components such as the line coupling transformer.

Receive Bell 103 FSK Mode	Notes	Min.	Typ.	Max.	Units
Acceptable baud rate		297	300	303	Baud
Mark (logical 1) frequency, high band		2213	2225	2237	Hz
Space (logical 0) frequency, high band		2013	2025	2037	Hz
Mark (logical 1) frequency, low band		1258	1270	1282	Hz
Space (logical 0) frequency, low band		1058	1070	1082	Hz

Receive V.23 FSK Mode	Notes	Min.	Typ.	Max.	Units
1200 baud					
Acceptable baud rate		1188	1200	1212	Baud
Mark (logical 1) frequency		1280	1300	1320	Hz
Space (logical 0) frequency		2080	2100	2120	Hz
75 baud					
Acceptable baud rate		74	75	76	Baud
Mark (logical 1) frequency		382	390	398	Hz
Space (logical 0) frequency		442	450	458	Hz

Receive Bell 202 FSK Mode	Notes	Min.	Typ.	Max.	Units
1200 baud					
Acceptable baud rate		1188	1200	1212	Baud
Mark (logical 1) frequency		1180	1200	1220	Hz
Space (logical 0) frequency		2180	2200	2220	Hz
150 baud					
Acceptable baud rate		148	150	152	Baud
Mark (logical 1) frequency		377	387	397	Hz
Space (logical 0) frequency		477	487	497	Hz

Rx Modem Signal	Notes	Min.	Typ.	Max.	Units
Signal level	8	-45	-	-9	dBm
Signal to Noise Ratio (noise flat 300-3400Hz)		20	-	-	dB

Notes: 8. Rx 2 or 4-wire line signal level assuming 1dB loss in line coupling transformer with Rx Gain Control block set to 0dB and external components as section 4.2.

Rx Modem Energy Detector	Notes	Min.	Typ.	Max.	Units
Detect threshold ('Off' to 'On')	8, 9	-	-	-43.0	dBm
Undetect threshold ('On' to 'Off')	8, 9	-48.0	-	-	dBm
Hysteresis	8, 9	2.0	-	-	dB
Detect ('Off' to 'On') response time					
300 and 1200baud	8, 9	8.0	-	30.0	ms
150 and 75baud	8, 9	16.0	-	60.0	ms
Undetect ('On' to 'Off') response time					
300 and 1200baud	8, 9	10.0	-	40.0	ms
150 and 75baud	8, 9	20.0	-	80.0	ms
Rx Answer Tone Detectors	Notes	Min.	Typ.	Max.	Units
Detect threshold ('Off' to 'On')	8, 10	-	-	-43.0	dBm
Undetect threshold ('On' to 'Off')	8, 10	-48.0	-	-	dBm
Hysteresis	8, 10	2.0	-	-	dB
Detect ('Off' to 'On') response time	8, 10	30.0	33.0	45.0	ms
Undetect ('On' to 'Off') response time	8, 10	7.0	18.0	25.0	ms
2100Hz detector					
'Will detect' frequency		2050	-	2160	Hz
'Will not detect' frequency		-	-	2000	Hz
2225Hz detector					
'Will detect' frequency		2160	-	2285	Hz
'Will not detect' frequency		2335	-	-	Hz
Rx Call Progress Energy Detector	Notes	Min.	Typ.	Max.	Units
Bandwidth (-3dB points) See Figure 6a		275	-	665	Hz
Detect threshold ('Off' to 'On')	8, 11	-	-	-37.0	dBm
Undetect threshold ('On' to 'Off')	8, 11	-42.0	-	-	dBm
Detect ('Off' to 'On') response time	8, 11	30.0	36.0	45.0	ms
Undetect ('On' to 'Off') response time	8, 11	6.0	8.0	50.0	ms

- Notes:
9. Thresholds and times measured with continuous binary '1'. Fixed compromise line equaliser enabled. Signal switched between off and -33dBm.
 10. 'Typical' value refers to 2100Hz or 2225Hz signal switched between off and -33dBm. Times measured wrt. received line signal.
 11. 'Typical' value refers to 400Hz signal switched between off and -33dBm.

DTMF Decoder	Notes	Min.	Typ.	Max.	Unit
Valid input signal levels (each tone of composite signal)	8	-31.0	-	2.0	dBm
Not decode level (either tone of composite signal)	8	-	-	-38.0	dBm
Twist = High Tone/Low Tone		-10.0	-	10.0	dB
Frequency Detect Bandwidth		±2.2	-	-	%
Frequency Not Detect Bandwidth		-	-	±3.5	%
Max level of low frequency noise (i.e. dial tone)					
Interfering signal frequency <= 550Hz	12	-	-	0.0	dB
Interfering signal frequency <= 450Hz	12	-	-	10.0	dB
Interfering signal frequency <= 200Hz	12	-	-	20.0	dB
Max. noise level wrt. signal	12, 13	-	-	-10.0	dB
DTMF detect response time		-	-	40.0	ms
DTMF de-response time		-	-	30.0	ms
Status Register b5 high time		14.0	-	-	ms
'Will Detect' DTMF signal duration		40.0	-	-	ms
'Will Not Detect' DTMF signal duration		-	25.0	-	ms
Pause length detected		30.0	-	-	ms
Pause length ignored		-	-	15.0	ms
Falsing performance	14	-	13	-	falses/ 30mins

Notes: 12. Referenced to DTMF tone of lower amplitude.
13. Flat Gaussian Noise in 300-3400Hz band.
14. Mitel CM7291 test tape, 1kHz reference tone set to 775mVrms.

Receive Input Amplifier	Notes	Min.	Typ.	Max.	Units
Input impedance (at 100Hz)		10.0			Moh m
Open loop gain (at 100Hz)			10000		V/V
Rx Gain Control Block accuracy		-0.25		+0.25	dB

C-BUS Timings (See Figure 13)	Notes	Min.	Typ.	Max.	Units
t _{CSE}	CSN-Enable to Clock-High time	100	-	-	ns
t _{CSH}	Last Clock-High to CSN-High time	100	-	-	ns
t _{LOZ}	Clock-Low to Reply Output enable time	0.0	-	-	ns
t _{HIZ}	CSN-High to Reply Output 3-state time	-	-	1.0	µs
t _{CSOFF}	CSN-High Time between transactions	1.0	-	-	µs
t _{NXT}	Inter-Byte Time	200	-	-	ns
t _{CK}	Clock-Cycle time	200	-	-	ns
t _{CH}	Serial Clock-High time	100	-	-	ns
t _{CL}	Serial Clock-Low time	100	-	-	ns
t _{CDS}	Command Data Set-Up time	75.0	-	-	ns
t _{CDH}	Command Data Hold time	25.0	-	-	ns
t _{RDS}	Reply Data Set-Up time	50.0	-	-	ns
t _{RDH}	Reply Data Hold time	0.0	-	-	ns

Maximum 30pF load on each C-BUS interface line.

Note: These timings are for the latest version of the C-BUS as embodied in the CMX865.

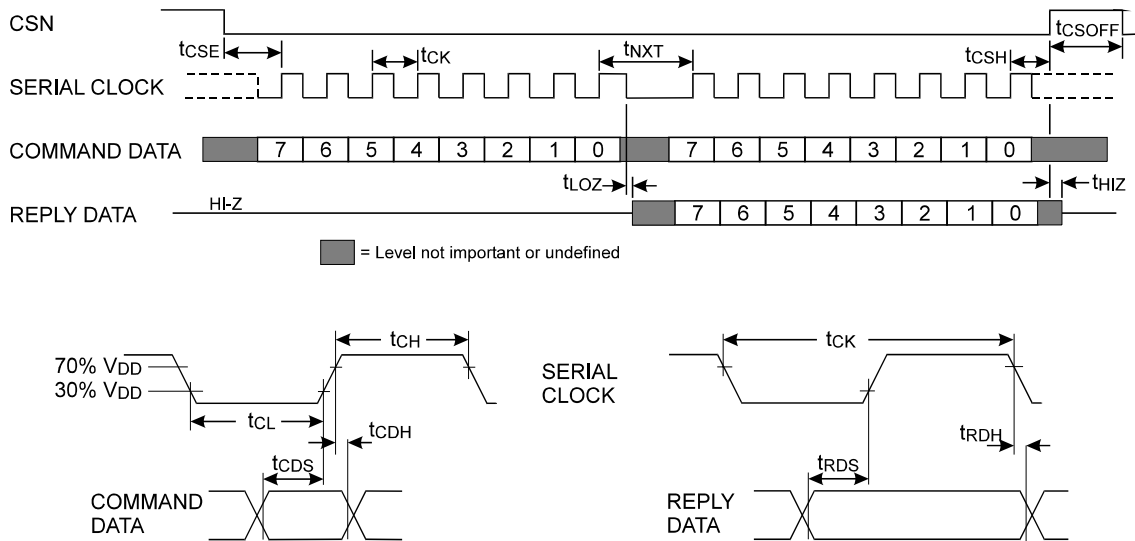


Figure 13 C-BUS Timing

7.2 Packaging

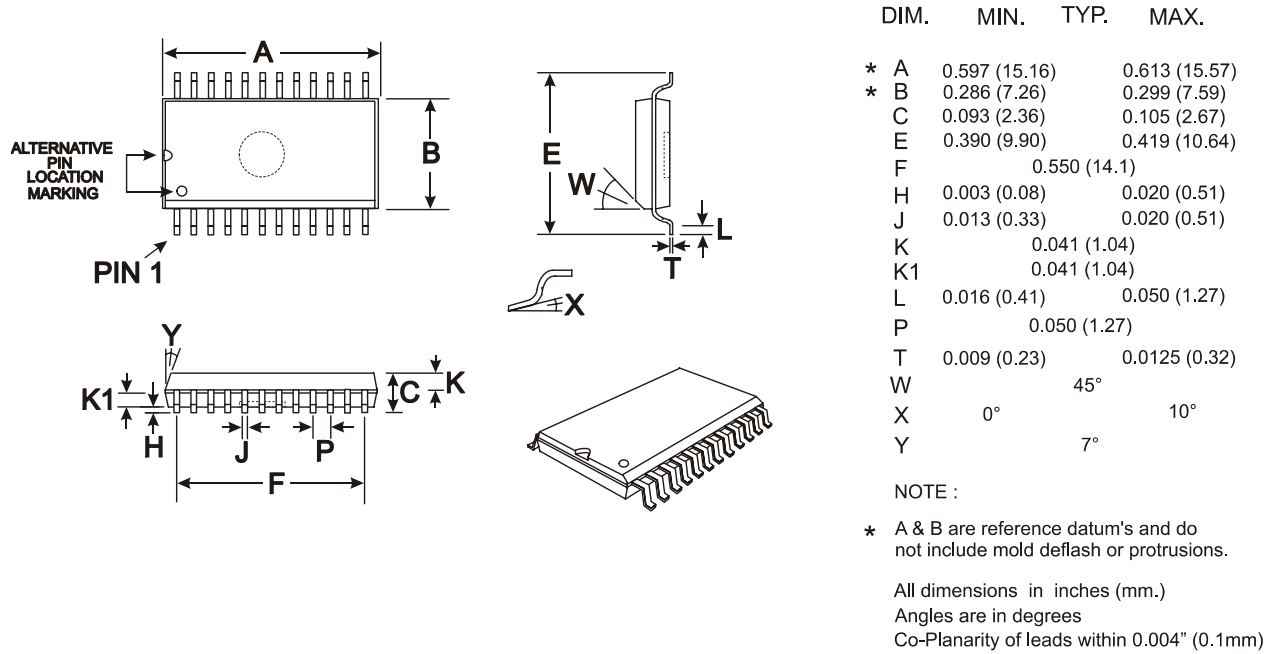


Figure 14 24-pin SOIC (D2) Mechanical Outline: *Order as part no. CMX865D2*




Handling precautions: This product includes input protection, however, precautions should be taken to prevent device damage from electro-static discharge. CML does not assume any responsibility for the use of any circuitry described. No IPR or circuit patent licences are implied. CML reserves the right at any time without notice to change the said circuitry and this product specification. CML has a policy of testing every product shipped using calibrated test equipment to ensure compliance with this product specification. Specific testing of all circuit parameters is not necessarily performed.

www.cmlmicro.com

For FAQs see: www.cmlmicro.com/products/faqs/

For a full data sheet listing see: www.cmlmicro.com/products/datasheets/download.htm

For detailed application notes: www.cmlmicro.com/products/applications/

			
Oval Park, Langford, Maldon, Essex, CM9 6WG - England. Tel: +44 (0)1621 875500 Fax: +44 (0)1621 875600 Sales: sales@cmlmicro.com Technical Support: techsupport@cmlmicro.com	4800 Bethania Station Road, Winston-Salem, NC 27105 - USA. Tel: +1 336 744 5050, 800 638 5577 Fax: +1 336 744 5054 Sales: us.sales@cmlmicro.com Technical Support: us.techsupport@cmlmicro.com	No 2 Kallang Pudding Road, #09 to 05/06 Mactech Industrial Building, Singapore 349307 Tel: +65 6745 0426 Fax: +65 6745 2917 Sales: sg.sales@cmlmicro.com Technical Support: sg.techsupport@cmlmicro.com	No. 218, Tian Mu Road West, Tower 1, Unit 1008, Shanghai Kerry Everbright City, Zhabei, Shanghai 200070, China. Tel: +86 21 6317 4107 +86 21 6317 8916 Fax: +86 21 6317 0243 Sales: cn.sales@cmlmicro.com.cn Technical Support: sg.techsupport@cmlmicro.com