

D/867/2 November 2001

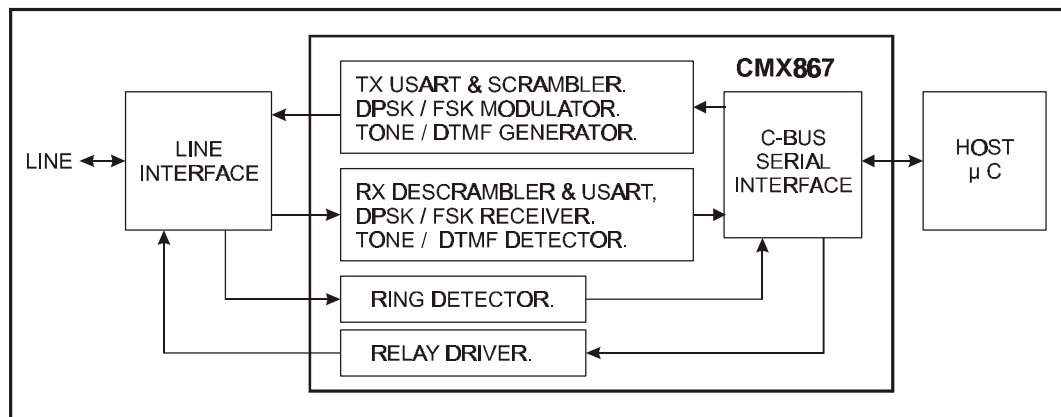
Provisional Information

### Features

- V.22, Bell 212A 1200/1200 or 600/600 bps DPSK
- V.23 1200/75, 1200/1200, 75, 1200 bps FSK
- Bell 202 1200/150, 1200/1200, 150, 1200 bps FSK
- V.21 or Bell 103 300/300 bps FSK
- DTMF/Tones Transmit and Receive
- 'Powersave' Standby Mode
- Software and Hardware Compatible with CMX868

### Applications

- Telephone Telemetry Systems
- Remote Utility Meter Reading
- Security Systems
- Industrial Control Systems
- Electronic Cash Terminals
- Pay-Phones
- Cable TV Set-Top Boxes



### 1.1 Brief Description

The CMX867 is a multi-standard modem for use in telephone based information and telemetry systems.

Control of the device is via a simple high speed serial bus, compatible with most types of  $\mu\text{C}$  serial interface. The data transmitted and received by the modem is also transferred over the same serial bus. On-chip programmable Tx and Rx USARTs meeting the requirements of V.14 are provided for use with asynchronous data and allow unformatted synchronous data to be received or transmitted as 8-bit words.

It can transmit and detect standard DTMF and modem calling and answer signals or user-specific programmed single or dual tone signals. A general purpose Call Progress signal detector is also included.

Flexible line driver and receive hybrid circuits are integrated on chip, requiring only passive external components to build a 2 or 4-wire line interface.

The device also features a Hook Switch Relay Drive output and a Ring Detector circuit which continues to function when the device is in the Powersave mode, providing an interrupt which can be used to wake up the host  $\mu\text{Controller}$  when line voltage reversal or ringing is detected.

The CMX867 operates from a single 2.7 to 5.5V supply over a temperature range of  $-40^{\circ}\text{C}$  to  $+85^{\circ}\text{C}$  and is available in 24-pin TSSOP, SOIC and DIP packages.

## CONTENTS

<u>Section</u>		<u>Page</u>
1.1	Brief Description.....	1
1.2	Block Diagram .....	3
1.3	Signal List.....	4
1.4	External Components.....	5
1.4.1	Ring Detector Interface.....	6
1.4.2	Line Interface.....	7
1.5	General Description.....	9
1.5.1	Tx USART .....	10
1.5.2	FSK and DPSK Modulators .....	11
1.5.3	Tx Filter and Equaliser.....	12
1.5.4	DTMF/Tone Generator .....	12
1.5.5	Tx Level Control and Output Buffer.....	12
1.5.6	Rx DTMF/Tones Detectors.....	13
1.5.7	Rx Modem Filterering and Demodulation.....	14
1.5.8	Rx Modem Pattern Detectors and Descrambler .....	15
1.5.9	Rx Data Register and USART .....	15
1.5.10	C-BUS Interface.....	17
1.5.10.1	General Reset Command.....	17
1.5.10.2	General Control Register.....	19
1.5.10.3	Transmit Mode Register .....	21
1.5.10.4	Receive Mode Register .....	24
1.5.10.5	Tx Data Register.....	26
1.5.10.6	Rx Data Register .....	26
1.5.10.7	Status Register.....	27
1.5.10.8	Programming Register.....	30
1.6	Application Notes .....	34
1.6.1	V.22 Calling Modem Application .....	34
1.6.2	V.22 Answering Modem Application .....	35
1.7	Performance Specification.....	36
1.7.1	Electrical Performance.....	36
1.7.1.1	Absolute Maximum Ratings.....	36
1.7.1.2	Operating Limits.....	36
1.7.1.3	Operating Characteristics .....	37
1.7.2	Packaging.....	44

## 1.2 Block Diagram

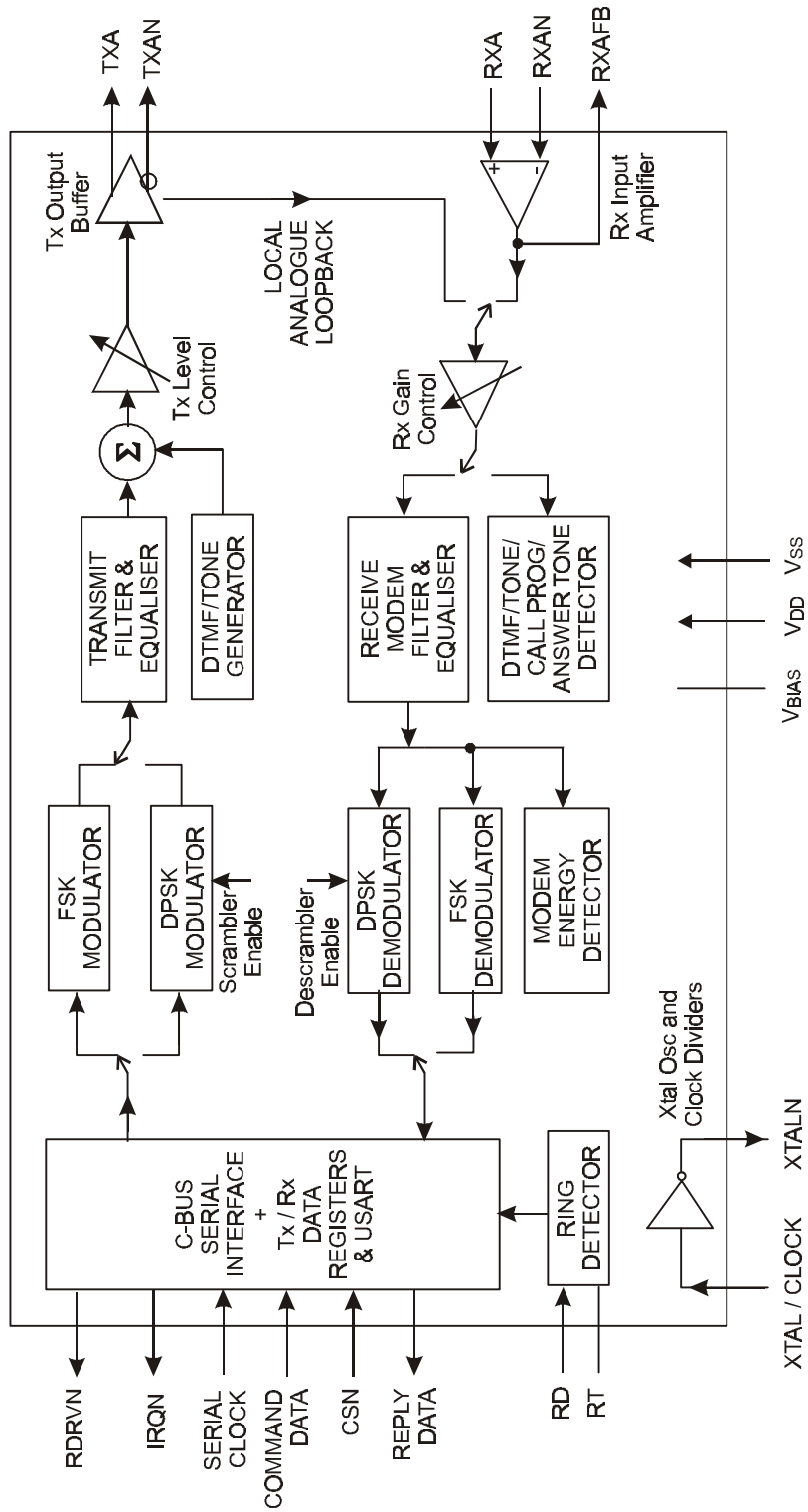


Figure 1 Block Diagram

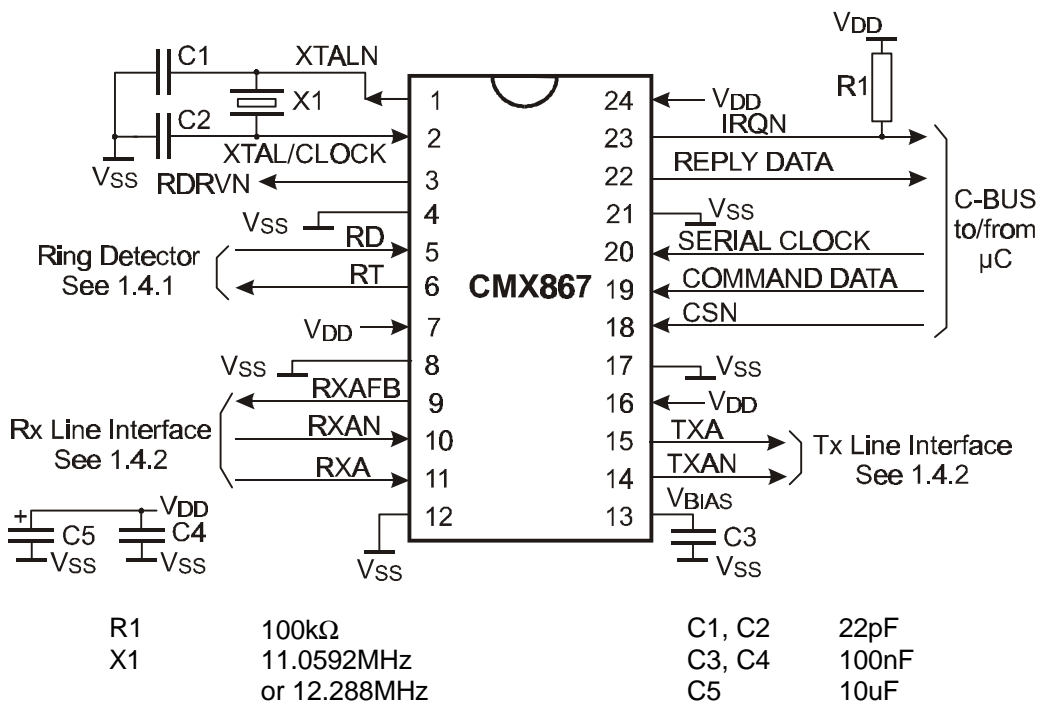
### 1.3 Signal List

CMX867 D2/E2/P4	Signal		Description	
	Pin No.	Name		Type
	1	XTALN	O/P	The output of the on-chip Xtal oscillator inverter.
	2	XTAL/CLOCK	I/P	The input to the oscillator inverter from the Xtal circuit or external clock source.
	3	RDRVN	O/P	Relay drive output, low resistance pull down to Vss when active and medium resistance pull up to VDD when inactive.
	4, 8, 12, 17, 21	Vss	Power	The negative supply rail (ground).
	5	RD	I/P	Schmitt trigger input to the Ring signal detector. Connect to Vss if Ring Detector not used.
	6	RT	BI	Open drain output and Schmitt trigger input forming part of the Ring signal detector. Connect to VDD if Ring Detector not used.
	7, 16, 24	VDD	Power	The positive supply rail. Levels and thresholds within the device are proportional to this voltage.
	9	RXAFB	O/P	The output of the Rx Input Amplifier.
	10	RXAN	I/P	The inverting input to the Rx Input Amplifier
	11	RXA	I/P	The non-inverting input to the Rx Input Amplifier
	13	VBIAS	O/P	Internally generated bias voltage of approximately VDD /2, except when the device is in 'Powersave' mode when VBIAS will discharge to Vss. Should be decoupled to Vss by a capacitor mounted close to the device pins.
	14	TXAN	O/P	The inverted output of the Tx Output Buffer.
	15	TXA	O/P	The non-inverted output of the Tx Output Buffer.
	18	CSN	I/P	The C-BUS chip select input from the $\mu$ C.
	19	COMMAND DATA	I/P	The C-BUS serial data input from the $\mu$ C.
	20	SERIAL CLOCK	I/P	The C-BUS serial clock input from the $\mu$ C.
	22	REPLY DATA	T/S	A 3-state C-BUS serial data output to the $\mu$ C. This output is high impedance when not sending data to the $\mu$ C.
	23	IRQN	O/P	A 'wire-ORable' output for connection to a $\mu$ C Interrupt Request input. This output is pulled down to Vss when active and is high impedance when inactive. An external pullup resistor is required ie R1 of Figure 2.

**Notes:**

- I/P = Input
- O/P = Output
- BI = Bidirectional
- T/S = 3-state Output
- NC = No Connection

**1.4 External Components**



Resistors ±5%, capacitors ±20% unless otherwise stated.

**Figure 2 Recommended External Components for Typical Application**

This device is capable of detecting and decoding small amplitude signals. To achieve this VDD and VBIAS should be decoupled and the receive path protected from extraneous in-band signals. It is recommended that the printed circuit board is laid out with a VSS ground plane in the CMX867 area to provide a low impedance connection between the VSS pins and the VDD and VBIAS decoupling capacitors. The VSS connections to the Xtal oscillator capacitors C1 and C2 should also be low impedance and preferably be part of the VSS ground plane to ensure reliable start up of the oscillator.

For best results, an Xtal oscillator design should drive the clock inverter input with signal levels of at least 40% of VDD peak-to-peak. Tuning-fork Xtals generally cannot meet this requirement. To obtain Xtal oscillator design assistance, please consult your Xtal manufacturer.

### 1.4.1 Ring Detector Interface

Figure 3 shows how the CMX867 may be used to detect the large amplitude Ringing signal voltage present on the 2-wire line at the start of an incoming telephone call.

The ring signal is usually applied at the subscriber's exchange as an ac voltage inserted in series with one of the telephone wires and will pass through either C20 and R20 or C21 and R21 to appear at the top end of R22 (point X in Figure 3) in a rectified and attenuated form.

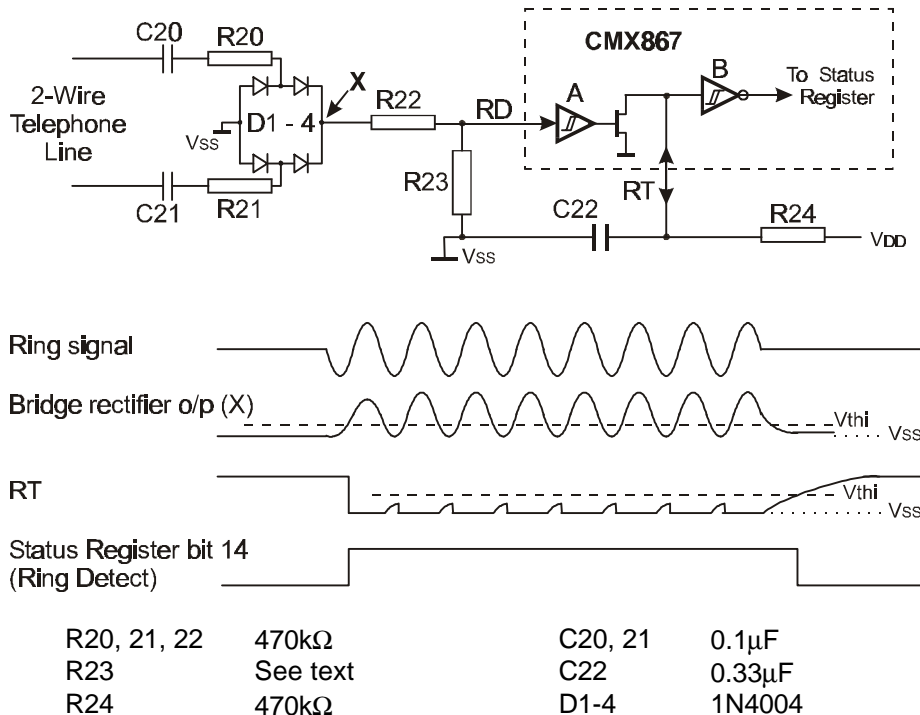
The signal at point X is further attenuated by the potential divider formed by R22 and R23 before being applied to the CMX867 RD input. If the amplitude of the signal appearing at RD is greater than the input threshold (V<sub>thi</sub>) of Schmitt trigger 'A' then the N transistor connected to RT will be turned on, pulling the voltage at RT to V<sub>SS</sub> by discharging the external capacitor C22. The output of the Schmitt trigger 'B' will then go high, setting bit 14 (Ring Detect) of the Status Register.

The minimum amplitude ringing signal that is certain to be detected is:

$$( 0.7 + V_{thi} \times [R20 + R22 + R23] / R23 ) \times 0.707 \text{ Vrms}$$

where V<sub>thi</sub> is the high-going threshold voltage of the Schmitt trigger A (see section 1.7.1).

With R20-22 all 470kΩ as Figure 3, then setting R23 to 68kΩ will guarantee detection of ringing signals of 40V<sub>rms</sub> and above for V<sub>DD</sub> over the range 3 to 5V.



Resistors ±5%, capacitors ±20%

**Figure 3 Ring Signal Detector Interface Circuit**

If the time constant of R24 and C22 is large enough then the voltage on RT will remain below the threshold of the 'B' Schmitt trigger for the duration of a ring cycle.

The time for the voltage on RT to charge from  $V_{SS}$  towards  $V_{DD}$  can be derived from the formula

$$V_{RT} = V_{DD} \times [1 - \exp(-t/(R24 \times C22))] ]$$

As the Schmitt trigger high-going input threshold voltage ( $V_{thi}$ ) has a minimum value of  $0.56 \times V_{DD}$ , then the Schmitt trigger B output will remain high for a time of at least  $0.821 \times R24 \times C22$  following a pulse at RD.

The values of R24 and C22 given in Figure 3 ( $470k\Omega$  and  $0.33\mu F$ ) give a minimum RT charge time of 100 msec, which is adequate for ring frequencies of 10Hz or above.

Note that the circuit will also respond to a telephone line voltage reversal. If necessary the  $\mu C$  can distinguish between a Ring signal and a line voltage reversal by measuring the time that bit 14 of the Status Register (Ring Detect) is high.

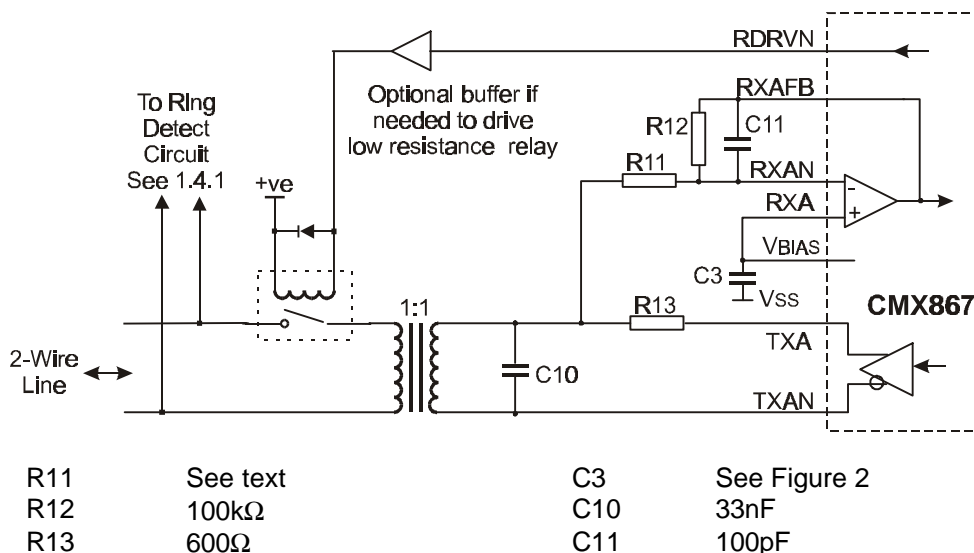
If the Ring detect function is not used then pin RD should be connected to  $V_{SS}$  and RT to  $V_{DD}$ .

### 1.4.2 Line Interface

A line interface circuit is needed to provide dc isolation and to terminate the line.

#### 2-Wire Line Interface

Figure 4a shows an interface for use with a  $600\Omega$  2-wire line. The complex line termination is provided by R13 and C10, high frequency noise is attenuated by C10 and C11, while R11 and R12 set the receive signal level into the modem. For clarity the 2-wire line protection circuits have not been shown.



Resistors  $\pm 5\%$ , capacitors  $\pm 20\%$

**Figure 4a 2-Wire Line Interface Circuit**

The transmit line signal level is determined by the voltage swing between the TXA and TXAN pins, less 6dB due to the line termination resistor R13, and less the loss in the line coupling transformer.

Allowing for 1dB loss in the transformer, then with the Tx Mode Register set for a Tx Level Control gain of 0dB the nominal transmit line levels will be:

	VDD = 3.0V	VDD = 5.0V
DPSK and FSK Tx modes (no guard tone)	-10dBm	-5.5dBm
Single tone transmit mode	-10dBm	-5.5dBm
DTMF transmit mode	-6 and -8 dBm	-1.5 and -3.5 dBm

For a line impedance of 600Ω, 0dBm = 775mVrms. See also section 1.7.1.3

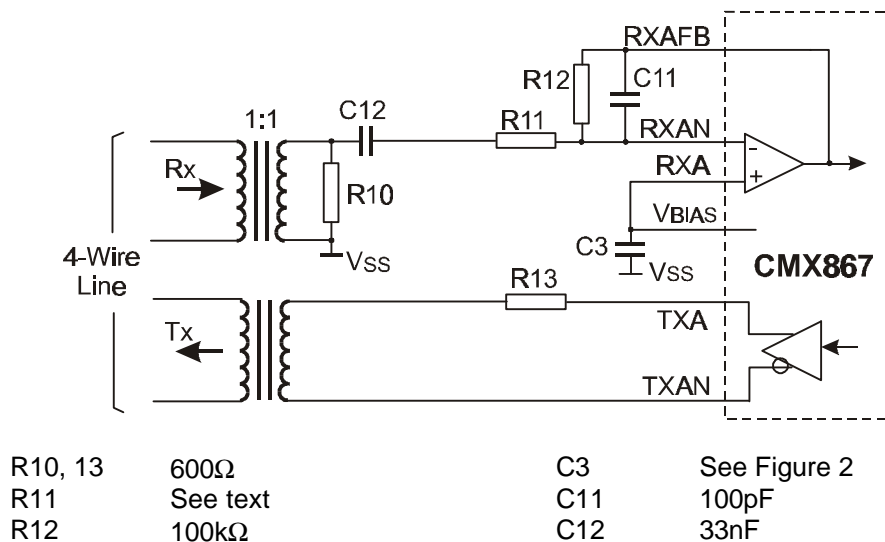
In the receive direction, the signal detection thresholds within the CMX867 are proportional to VDD and are affected by the Rx Gain Control gain setting in the Rx Mode Register. The signal level into the CMX867 is affected by the line coupling transformer loss and the values of R11 and R12 of Figure 4a.

Assuming 1dB transformer loss, the Rx Gain Control programmed to 0dB and R12 = 100kΩ, then for correct operation (see section 1.7.1.3) the value of R11 should be equal to 500 / VDD kΩ i.e. 160kΩ at 3.0V, falling to 100kΩ at 5.0V

#### 4-Wire Line Interface

Figure 4b shows an interface for use with a 600Ω 4-wire line. The line terminations are provided by R10 and R13, high frequency noise is attenuated by C11 while R11 and R12 set the receive signal level into the modem.

Transmit and receive line level settings and the value of R11 are as for the 2-wire circuit.



Resistors ±5%, capacitors ±20%

**Figure 4b 4-Wire Line Interface Circuit**



## 1.5 General Description

The CMX867 transmit and receive operating modes are independently programmable.

The transmit mode can be set to any one of the following:

V.22 and Bell 212A modem. 1200 or 600 bps DPSK (Differential Phase Shift Keying).

V.21 modem. 300bps FSK (Frequency Shift Keying).

Bell 103 modem. 300bps FSK.

V.23 modem. 1200 or 75 bps FSK.

Bell 202 modem. 1200 or 150 bps FSK.

DTMF transmit.

Single tone transmit (from a range of modem calling, answer and other tone frequencies)

User programmed tone or tone pair transmit (programmable frequencies and levels)

Disabled.

The receive mode can be set to any one of the following:

V.22 and Bell 212A modem. 1200 or 600 bps DPSK.

V.21 modem. 300bps FSK.

Bell 103 modem. 300 bps FSK.

V.23 modem. 1200 or 75 bps FSK.

Bell 202 modem. 1200 or 150 bps FSK.

DTMF detect.

2100Hz and 2225Hz answer tone detect.

Call progress signal detect.

User programmed tone or tone pair detect.

Disabled.

The CMX867 may also be set into a Powersave mode which disables all circuitry except for the C-BUS interface and the Ring Detector.

**1.5.1 Tx USART**

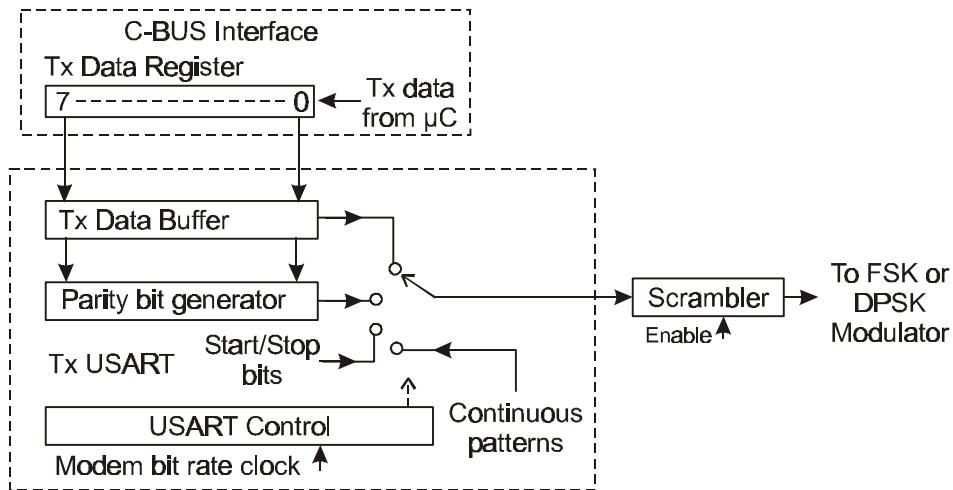
A flexible Tx USART is provided for all modem modes, meeting the requirements of V.14 for DPSK modems.

It can be programmed to transmit continuous patterns, Start-Stop characters or Synchronous Data.

In both Synchronous Data and Start-Stop modes the data to be transmitted is written by the  $\mu$ C into the 8-bit C-BUS Tx Data Register from which it is transferred to the Tx Data Buffer.

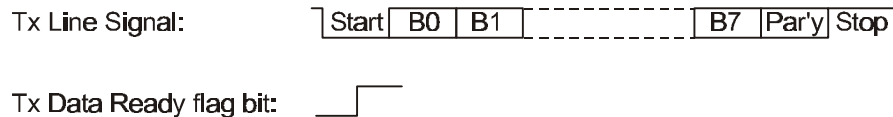
If Synchronous Data mode has been selected the 8 data bits in the Tx Data Buffer are transmitted serially, b0 being sent first.

In Start-Stop mode a single Start bit is transmitted, followed by 5, 6, 7 or 8 data bits from the Tx Data Buffer - b0 first - followed by an optional Parity bit then - normally - one or two Stop bits. The Start, Parity and Stop bits are generated by the USART as determined by the Tx Mode Register settings and are not taken from the Tx Data Register.



**Figure 5a Tx USART**

Every time the contents of the C-BUS Tx Data Register are transferred to the Tx Data Buffer the Tx Data Ready flag bit of the Status Register is set to 1 to indicate that a new value should be loaded into the C-BUS Tx Data Register. This flag bit is cleared to 0 when a new value is loaded into the Tx Data Register.



**Figure 5b Tx USART Function (Start-Stop mode, 8 Data Bits + Parity)**

If a new value is not loaded into the Tx Data Register in time for the next Tx Data Register to Tx Data Buffer transfer then the Status Register Tx Data Underflow bit will be set to 1. In this event the contents of the Tx Data Buffer will be re-transmitted if Synchronous Data mode has been selected, or if the Tx modem is in Start-Stop mode then a continuous Stop signal (1) will be transmitted until a new value is loaded into the Tx Data Register.

In all modes the transmitted bit and baud rates are the nominal rates for the selected modem type, with an accuracy determined by the XTAL frequency accuracy, however for DPSK modes V.14 requires that Start-Stop characters can be transmitted at up to 1% overspeed (basic signalling rate range) or 2.3% overspeed (extended signalling rate range) by deleting a Stop bit from no more than one out of every 8 (basic range) or 4 (extended range) consecutive transmitted characters.

To accommodate the V.14 requirement the Tx Data Register has been given two C-BUS addresses, \$E3 and \$E4. Data should normally be written to \$E3.

In DPSK Start-Stop modes if data is written to \$E4 then the programmed number of Stop bits will be reduced by one for that character. In this way the  $\mu$ C can delete transmitted Stop bits as needed.

In FSK Start-Stop modes, data written to \$E4 will be transmitted with a 12.5% reduction in the length of the Stop bit at the end of that character.

In all Synchronous Data modes data written to \$E4 will be treated as though it had been written to \$E3.

The underspeed transmission requirement of V.14 is automatically met by the CMX867 as in Start-Stop mode it automatically inserts extra Stop bit(s) if it has to wait for new data to be loaded into the C-BUS Tx Data Register.

The optional V.22 compatible data scrambler can be programmed to invert the next input bit in the event of 64 consecutive ones appearing at its input. It uses the generating polynomial:

$$1 + x^{-14} + x^{-17}$$

### 1.5.2 FSK and DPSK Modulators

Serial data from the USART is fed via the optional scrambler to the FSK modulator if V.21, V.23, Bell 103 or Bell 202 mode has been selected or to the DPSK modulator for V.22 and Bell 212A modes.

The FSK modulator generates one of two frequencies according to the transmit mode and the value of current transmit data bit.

The DPSK modulator generates a carrier of 1200Hz (Low Band, Calling modem) or 2400Hz (High Band, Answering modem) which is modulated at 600 symbols/sec as described below:

600bps V.22 signals are transmitted as a +90° carrier phase change for a '0' bit, +270° for '1'.

For V.22 and Bell 212A 1200bps DPSK the transmit data stream is divided into groups of two consecutive bits (dibits) which are encoded as a carrier phase change:

Dibit (left-hand bit is the first of the pair)	Phase change
00	+90°
01	0°
11	+270°
10	+180°

### **1.5.3 Tx Filter and Equaliser**

The FSK or DPSK modulator output signal is fed through the Transmit Filter and Equaliser block which limits the out-of-band signal energy to acceptable limits. In 600 and 1200 bps FSK and DPSK modes this block includes a fixed compromise line equaliser which is automatically set for the particular modulation type and frequency band being employed. This fixed compromise line equaliser may be enabled or disabled by bit 10 of the General Control Register. The amount of Tx equalisation provided compensates for one quarter of the relative amplitude and delay distortion of ETS Test Line 1 over the frequency band used.

### **1.5.4 DTMF/Tone Generator**

In DTMF/Tones mode this block generates DTMF signals or single or dual frequency tones. In DPSK modem modes it is used to generate the optional 550 or 1800Hz guard tone.

### **1.5.5 Tx Level Control and Output Buffer**

The outputs (if present) of the Transmit Filter and DTMF/Tone Generator are summed then passed through the programmable Tx Level Control and Tx Output Buffer to the pins TXA and TXAN. The Tx Output Buffer has symmetrical outputs to provide sufficient line voltage swing at low values of VDD and to reduce harmonic distortion of the signal.

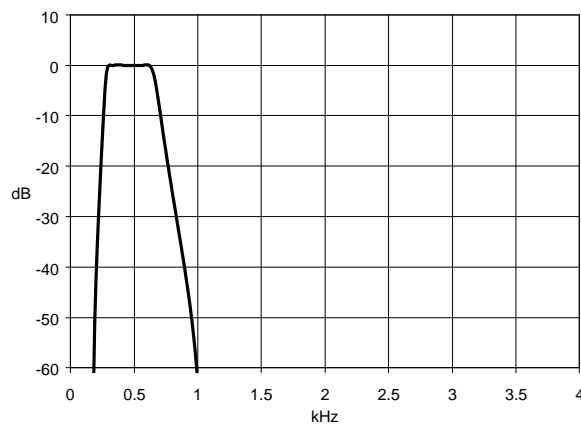
### 1.5.6 Rx DTMF/Tones Detectors

In Rx Tones Detect mode the received signal, after passing through the Rx Gain Control block, is fed to the DTMF / Tones / Call Progress / Answer Tone detector. The user may select any of four separate detectors:

The DTMF detector detects standard DTMF signals. A valid DTMF signal will set bit 5 of the Status Register to 1 for as long as the signal is detected.

The programmable tone pair detector includes two separate tone detectors (see Figure 11). The first detector will set bit 6 of the Status Register for as long as a valid signal is detected, the second detector sets bit 7, and bit 10 of the Status Register will be set when both tones are detected.

The Call Progress detector measures the amplitude of the signal at the output of a 275 - 665 Hz bandpass filter and sets bit 10 of the Status Register to 1 when the signal level exceeds the measurement threshold.



**Figure 6a Response of Call Progress Filter**

The Answer Tone detector measures both amplitude and frequency of the received signal and sets bit 6 or bit 7 of the Status Register when a valid 2225Hz or 2100Hz signal is received.

### 1.5.7 Rx Modem Filtering and Demodulation

When the receive part of the CMX867 is operating as a modem, the received signal is fed to a bandpass filter to attenuate unwanted signals and to provide fixed compromise line equalisation for 600 and 1200bps FSK and DPSK modes. The characteristics of the bandpass filter and equaliser are determined by the chosen receive modem type and frequency band. The line equaliser may be enabled or disabled by bit 10 of the General Control Register and compensates for one quarter of the relative amplitude and delay distortion of ETS Test Line 1.

The responses of these filters, including the line equaliser and the effect of external components used in Figures 4a and 4b, are shown in Figures 6b-e:

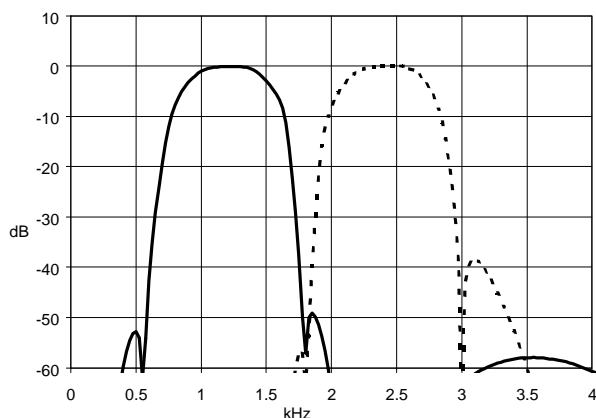


Figure 6b DPSK Rx Filters

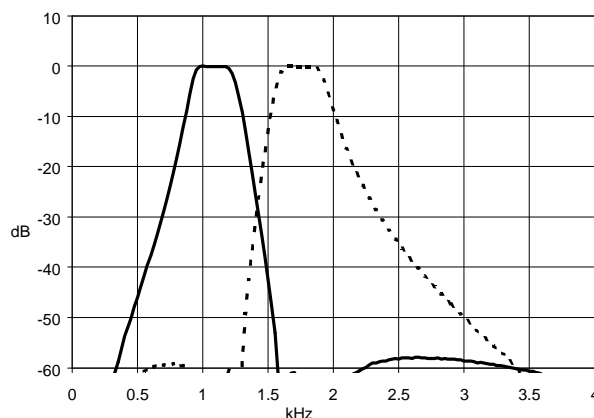


Figure 6c V.21 Rx Filters

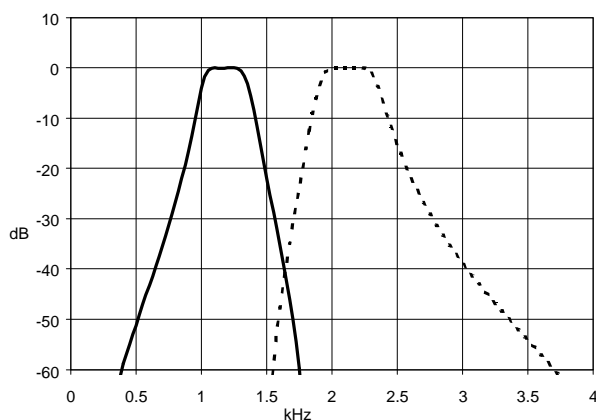


Figure 6d Bell 103 Rx Filters

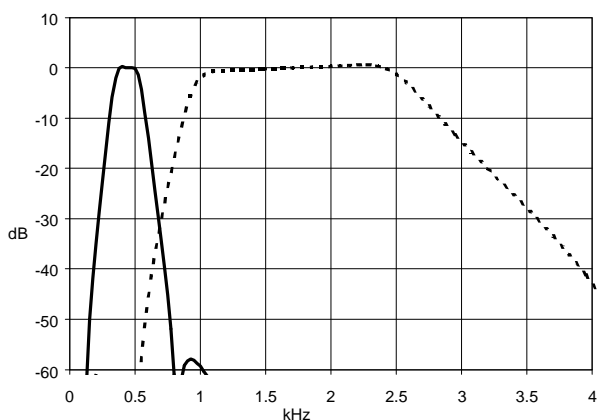


Figure 6e V.23/Bell 202 Rx Filters

The signal level at the output of the Receive Modem Filter and Equaliser is measured in the Modem Energy Detector block, compared to a threshold value, and the result controls bit 10 of the Status Register.

The output of the Receive Modem Filter and Equaliser is also fed to the FSK or DPSK demodulator depending on the selected modem type.

The FSK demodulator recognises individual frequencies as representing received '1' or '0' data bits:

The DPSK demodulator decodes DPSK modulation of a 1200Hz or 2400Hz carrier and is used for V.22 and Bell 212A modes. It includes an adaptive receive signal equaliser (auto-equaliser) that will automatically compensate for a wide range of line conditions in DPSK modes. The auto-equaliser can provide a useful improvement in performance in 600 or 1200bps DPSK modes, so although it must be disabled at the start of a handshake sequence, it can be enabled as soon as scrambled 1200bps 1s have been detected.

Both FSK and DPSK demodulators produce a serial data bit stream which is fed to the Rx pattern detector, descrambler and USART block, see Figure 7a. The demodulator input is also monitored for continuous dibits '00,11' in 1200bps DPSK mode and continuous alternating 1s and 0s in all other modes.

The DPSK demodulator also estimates the received bit error rate by comparing the actual received signal against an ideal waveform. This estimate is placed in bits 2-0 of the Status Register, see Figure 10.

### 1.5.8 Rx Modem Pattern Detectors and Descrambler

See Figure 7a.

The 1010.. pattern detector operates only in FSK modes and will set bit 9 of the Status Register when 32 bits of alternating 1's and 0's have been received.

The 'Continuous Unscrambled 1's' detector operates in all modem modes and sets bits 8 and 7 of the Status Register to '01' when 32 consecutive 1's have been received.

The descrambler operates only in DPSK modes and is enabled by setting bit 7 of the Rx Mode Register.

The 'Continuous Scrambled 1's' detector operates only in DPSK modes when the descrambler is enabled and sets bits 8 and 7 of the Status Register to '11' when 32 consecutive 1's appear at the output of the descrambler. To avoid possible ambiguity, the 'Scrambled 1's' detector is disabled when continuous unscrambled 1's are detected.

The 'Continuous 0's' detector sets bits 8 and 7 of the Status Register to '10' when NX consecutive 0's have been received, NX being 32 except when DPSK Start-Stop mode has been selected, in which case  $NX = 2N + 4$  where N is the number of bits per character including the Start, Stop and any Parity bits.

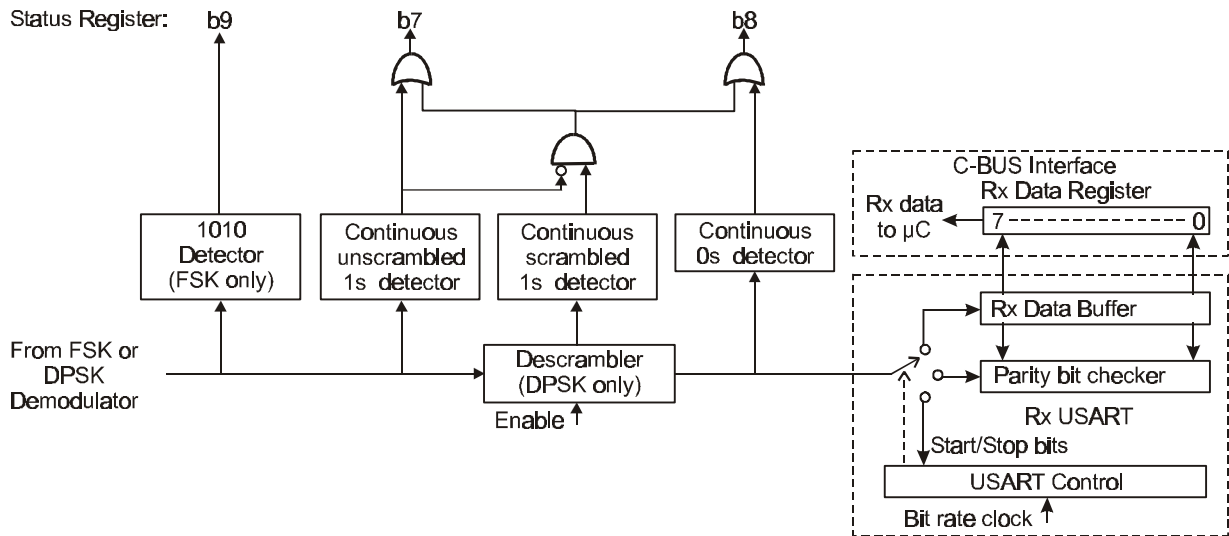
All of these pattern detectors will hold the 'detect' output for 12 bit times after the end of the detected pattern unless the received bit rate or operating mode is changed, in which case the detectors are reset within 2 msec.

### 1.5.9 Rx Data Register and USART

A flexible Rx USART is provided for all modem modes, meeting the requirements of V.14 for DPSK modems. It can be programmed to treat the received data bit stream as Synchronous data or as Start-Stop characters.

In Synchronous mode the received data bits are all fed into the Rx Data Buffer which is copied into the C-BUS Rx Data Register after every 8 bits.

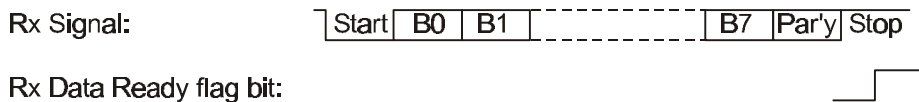
In Start-Stop mode the USART Control logic looks for the start of each character, then feeds only the required number of data bits (not parity) into the Rx Data Buffer. The parity bit (if used) and the presence of a Stop bit are then checked and the data bits in the Rx Data Buffer copied to the C-BUS Rx Data Register.



**Figure 7a Rx Modem Data Paths**

Whenever a new character is copied into the C-BUS Rx Data Register, the Rx Data Ready flag bit of the Status Register is set to '1' to prompt the µC to read the new data and, in Start-Stop mode, the Even Rx Parity flag bit of the Status Register is updated.

In Start-Stop mode, if the Stop bit is missing (received as a '0' instead of a '1') the received character will still be placed into the Rx Data Register and the Rx Data Ready flag bit set, but, unless allowed by the V.14 overspeed option described below, the Status Register Rx Framing Error bit will also be set to '1' and the USART will re-synchronise onto the next '1' – '0' (Stop – Start) transition. The Rx Framing Error bit will remain set until the next character has been received.



**Figure 7b Rx USART Function (Start-Stop mode, 8 Data Bits + Parity)**

If the µC has not read the previous data from the Rx Data Register by the time that new data is copied to it from the Rx Data Buffer then the Rx Data Overflow flag bit of the Status Register will be set to 1.

The Rx Data Ready flag and Rx Data Overflow bits are cleared to 0 when the Rx Data Register is read by the µC.

For DPSK Start-Stop modes, V.14 requires that the receive USART be able to cope with missing Stop bits; up to 1 missing Stop bit in every 8 consecutive received characters being allowed for the +1% overspeed (basic signalling rate) V.14 mode and 1 in 4 for the +2.3% overspeed (extended signalling rate) mode.

To accommodate the requirements of V.14, the CMX867 Rx Mode Register can be set for 0, +1% or +2.3% overspeed operation in DPSK Start-Stop modes. Missing Stop bits beyond those allowed by the selected overspeed option will set the Rx Framing Error flag bit of the Status Register.



In order that received Break signals can be handled correctly in V.14 Rx overspeed mode, a received character which has all bits '0', including the Stop and any Parity bits, will always cause the Rx Framing Error bit to be set and the USART to re-synchronise onto the next '1' – '0' transition. Additionally the received Continuous 0s detector will respond when more than  $2M + 3$  consecutive '0's are received, where 'M' is the selected total number of bits per character including Stop and any Parity bits.

### 1.5.10 C-BUS Interface

This block provides for the transfer of data and control or status information between the CMX867's internal registers and the  $\mu\text{C}$  over the C-BUS serial bus. Each transaction consists of a single Register Address byte sent from the  $\mu\text{C}$  which may be followed by a one or more data byte(s) sent from the  $\mu\text{C}$  to be written into one of the CMX867's Write Only Registers, or a one or more byte(s) of data read out from one of the CMX867's Read Only Registers, as illustrated in Figure 8.

Data sent from the  $\mu\text{C}$  on the Command Data line is clocked into the CMX867 on the rising edge of the Serial Clock input. Reply Data sent from the CMX867 to the  $\mu\text{C}$  is valid when the Serial Clock is high. The CSN line must be held low during a data transfer and kept high between transfers. The C-BUS interface is compatible with most common  $\mu\text{C}$  serial interfaces and may also be easily implemented with general purpose  $\mu\text{C}$  I/O pins controlled by a simple software routine. Figure 14 gives detailed C-BUS timing requirements.

The following C-BUS addresses and registers are used by the CMX867:

General Reset Command (address only, no data).	Address \$01
General Control Register, 16-bit write only.	Address \$E0
Transmit Mode Register, 16-bit write-only.	Address \$E1
Receive Mode Register, 16-bit write-only.	Address \$E2
Transmit Data Register, 8-bit write only.	Addresses \$E3 and \$E4
Receive Data Register, 8-bit read-only.	Address \$E5
Status Register, 16-bit read-only.	Address \$E6
Programming Register, 16-bit write-only.	Address \$E8

Note: The C-BUS addresses \$E9, \$EA and \$EB are allocated for production testing and should not be accessed in normal operation.

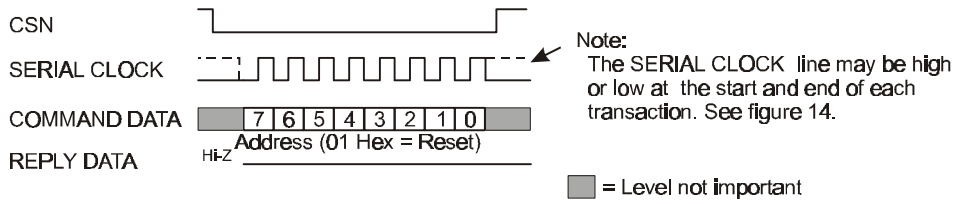
#### 1.5.10.1 General Reset Command

**General Reset Command      (no data)      C-BUS address \$01**

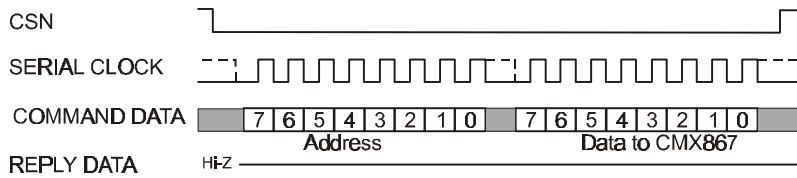
This command resets the device and clears all bits of the General Control , Transmit Mode and Receive Mode Registers and bits 15 and 13-0 of the Status Register.

Whenever power is applied to the CMX867 a General Reset command should be sent to the device, after which the General Control Register should be set as required.

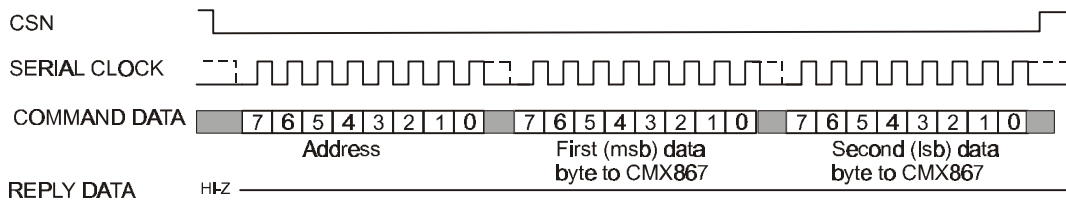
**a) Single byte from  $\mu$ C**



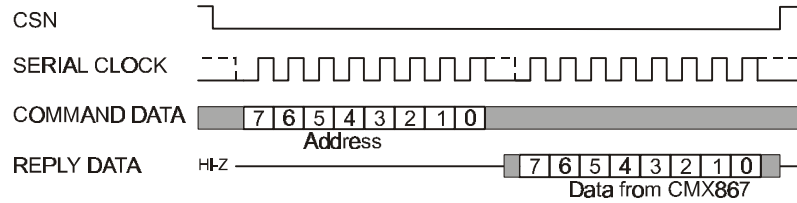
**b) One Address and one Data byte from  $\mu$ C**



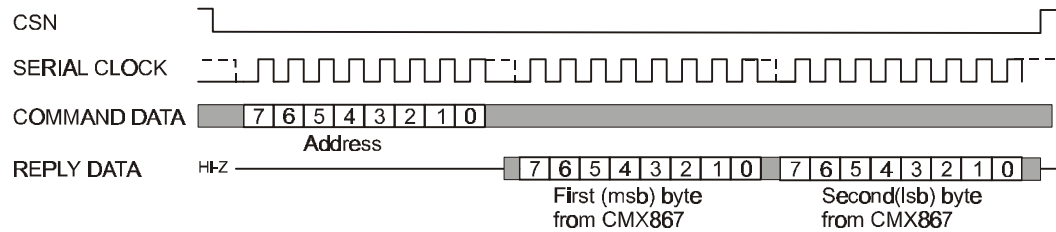
**c) One Address and 2 Data bytes from  $\mu$ C**



**d) One Address byte from  $\mu$ C and one Reply byte from CMX867**



**e) One Address byte from  $\mu$ C and 2 Reply bytes from CMX867**



**Figure 8 C-BUS Transactions**

### 1.5.10.2 General Control Register

#### General Control Register: 16-bit write-only. C-BUS address \$E0

This register controls general features of the CMX867 such as the Powersave and Loopback modes, the IRQ mask bits and the Relay Drive output. It also allows the fixed compromise equalisers in the Tx and Rx signal paths to be disabled if desired, and sets the internal clock dividers to use either a 11.0592 or a 12.288 MHz XTAL frequency.

All bits of this register are cleared to 0 by a General Reset command.

Bit:	15	14	13	12	11	10	9	8	7	6	5	4	3	2	1	0
	0	0	0	Xtal freq	LB	Equ	Rly drv	Pwr	Rst	Irqn en	IRQ Mask Bits					

#### General Control Register b15-13: Reserved, set to 000

#### General Control Register b12: Xtal frequency

This bit should be set according to the Xtal frequency.

b12 = 1	11.0592MHz
b12 = 0	12.2880MHz

#### General Control Register b11: Analogue Loopback test mode

This bit controls the analogue loopback test mode. Note that in loopback test mode both Transmit and Receive Mode Registers should be set to the same modem type and band or bit rate.

b11 = 1	Local analogue loopback mode enabled
b11 = 0	No loopback (normal modem operation)

#### General Control Register b10: Tx and Rx Fixed Compromise Equalisers

This bit allows the Tx and Rx fixed compromise equalisers in the modem transmit and receive filter blocks to be disabled.

b10 = 1	Disable equalisers
b10 = 0	Enable equalisers (600 or 1200bps modem modes)

#### General Control Register b9: Relay Drive

This bit directly controls the RDRVN output pin.

b9 = 1	RDRVN output pin pulled to Vss
b9 = 0	RDRVN output pin pulled to VDD

**General Control Register b8: Powerup**

This bit controls the internal power supply to most of the internal circuits, including the Xtal oscillator and V<sub>BIAS</sub> supply. Note that the General Reset command clears this bit, putting the device into Powersave mode.

b8 = 1	Device powered up normally
b8 = 0	Powersave mode (all circuits except Ring Detect, RDRVN and C-BUS interface disabled)

When the power is first applied to the device, the following powerup procedure should be followed to ensure correct operation.

- i. (Power is applied to the device)
- ii. Issue a General Reset command
- iii. Write to the General Control Register (address \$E0) setting both the Powerup bit (b8) and the Reset bit (b7) to 1 – leave in this state for a minimum of about 20ms – it is required that the crystal initially runs for this time in order to clock the internal logic into a defined state. The device is now powered up, with the crystal and V<sub>BIAS</sub> supply operating, but is otherwise not running any transmit or receive functions.
- iv. The device is now ready to be programmed as and when required. Examples:
  - A General Reset command could be issued to clear all the registers and therefore powersave the device.
  - The Reset bit in the General Control Register could be set to 0 as part of a routine to program all the relevant registers for setting up a particular operating mode.

When the device is switched from Powersave mode to normal operation by setting the Powerup bit to 1, the Reset bit should also be set to 1 and should be held at 1 for about 20ms while the internal circuits, Xtal oscillator and V<sub>BIAS</sub> stabilise before starting to use the transmitter or receiver.

**General Control Register b7: Reset**

Setting this bit to 1 resets the CMX867's internal circuitry, clearing all bits of the Transmit and Receive Mode Registers and b15 and b13-0 of the Status Register.

b7 = 1	Internal circuitry in a reset condition.
b7 = 0	Normal operation

**General Control Register b6: IRQNEN (IRQN O/P Enable)**

Setting this bit to 1 enables the IRQN output pin.

b6 = 1	IRQN pin driven low (to V <sub>SS</sub> ) if the IRQ bit of the Status Register = 1
b6 = 0	IRQN pin disabled (high impedance)

**General Control Register b5-0: IRQ Mask bits**

These bits affect the operation of the IRQ bit of the Status Register as described in section 1.5.10.7

### 1.5.10.3 Transmit Mode Register

#### Transmit Mode Register: 16-bit write-only. C-BUS address \$E1

This register controls the CMX867 transmit signal type and level. All bits of this register are cleared to 0 by a General Reset command, in Powersave mode, or when b7 (Reset) of the General Control Register is 1.

Bit:	15	14	13	12	11	10	9	8	7	6	5	4	3	2	1	0
	Tx mode = modem				Tx level			Guard tone	Scrambler	Start-stop / synch data		# data bits / synch data source				
	Tx mode = DTMF/Tones				Tx level			Unused, set to 0000			DTMF or Tone select					
	Tx mode = Disabled				Set to 0000 0000 0000											

#### Tx Mode Register b15-12: Tx mode

These 4 bits select the transmit operating mode.

b15	b14	b13	b12		
1	1	1	1	Transmitter disabled	(Reserved for future use)
1	1	1	0	Transmitter disabled	(Reserved for future use)
1	1	0	1	V.22/Bell 212A 1200 bps DPSK	High band (Answering modem)
1	1	0	0	"	Low band (Calling modem)
1	0	1	1	V.22 600 bps DPSK	High band (Answering modem)
1	0	1	0	"	Low band (Calling modem)
1	0	0	1	V.21 300 bps FSK	High band (Answering modem)
1	0	0	0	"	Low band (Calling modem)
0	1	1	1	Bell 103 300 bps FSK	High band (Answering modem)
0	1	1	0	"	Low band (Calling modem)
0	1	0	1	V.23 FSK	1200 bps
0	1	0	0	"	75 bps
0	0	1	1	Bell 202 FSK	1200 bps
0	0	1	0	"	150 bps
0	0	0	1	DTMF / Tones	
0	0	0	0	Transmitter disabled	

#### Tx Mode Register b11-9: Tx level

These 3 bits set the gain of the Tx Level Control block.

b11	b10	b9	
1	1	1	0dB
1	1	0	-1.5dB
1	0	1	-3.0dB
1	0	0	-4.5dB
0	1	1	-6.0dB
0	1	0	-7.5dB
0	0	1	-9.0dB
0	0	0	-10.5dB

**Tx Mode Register b8-7: Tx Guard tone (DPSK modes)**

These 2 bits select the guard tone to be transmitted together with highband DPSK. Set both bits to 0 in FSK modes.

b8	b7	
1	1	Tx 550Hz guard tone
1	0	Tx 1800Hz guard tone
0	x	No Tx guard tone

**Tx Mode Register b6-5: Tx Scrambler (DPSK modes)**

These 2 bits control the operation of the Tx scrambler used in DPSK modes. Set both bits to 0 in FSK modes.

b6	b5	
1	1	Scrambler enabled, 64 ones detect circuit enabled (normal use)
1	0	Scrambler enabled, 64 ones detect circuit disabled
0	x	Scrambler disabled

**Tx Mode Register b4-3: Tx Data Format (DPSK and FSK modes)**

These two bits select Synchronous or Start-stop mode and the addition of a parity bit to transmitted characters in Start-stop mode.

b4	b3	
1	1	Synchronous mode
1	0	Start-stop mode, no parity
0	1	Start-stop mode, even parity bit added to data bits
0	0	Start-stop mode, odd parity bit added to data bits

**Tx Mode Register b2-0: Tx Data and Stop bits (DPSK and FSK: Start-Stop modes)**

In Start-stop mode these three bits select the number of Tx data and stop bits.

b2	b1	b0	
1	1	1	8 data bits, 2 stop bits
1	1	0	8 data bits, 1 stop bit
1	0	1	7 data bits, 2 stop bits
1	0	0	7 data bits, 1 stop bit
0	1	1	6 data bits, 2 stop bits
0	1	0	6 data bits, 1 stop bit
0	0	1	5 data bits, 2 stop bits
0	0	0	5 data bits, 1 stop bit

**Tx Mode Register b2-0: Tx Data source (DPSK and FSK: Synchronous mode)**

In Synchronous mode (b4-3 = 11) these three bits select the source of the data fed to the Tx FSK or DPSK scrambler and modulator.

b2	b1	b0	
1	x	x	Data bytes from Tx Data Buffer
0	1	1	Continuous 1s
0	1	0	Continuous 0s
0	0	x	Continuous dibits '00,11' in 1200bps DPSK mode, continuous alternating 1s and 0s in all other modes.

**Tx Mode Register b8-0: DTMF/Tones mode**

If DTMF/Tones transmit mode has been selected (Tx Mode Register b15-12 = 0001) then b8-5 should be set to 0000 and b4-0 will select a DTMF signal or a fixed tone or one of four programmed tones or tone pairs for transmission.

b4 = 0: Tx fixed tone or programmed tone pair

b3	b2	b1	b0	Tone frequency (Hz)	
0	0	0	0	No tone	
0	0	0	1	697	
0	0	1	0	770	
0	0	1	1	852	
0	1	0	0	941	
0	1	0	1	1209	
0	1	1	0	1336	
0	1	1	1	1477	
1	0	0	0	1633	
1	0	0	1	1300	(Calling tone)
1	0	1	0	2100	(Answer tone)
1	0	1	1	2225	(Answer tone)
1	1	0	0	Tone pair TA	Programmed Tx tone or tone pair, see 1.5.10.8
1	1	0	1	Tone pair TB	“
1	1	1	0	Tone pair TC	“
1	1	1	1	Tone pair TD	“

b4 = 1: Tx DTMF

b3	b2	b1	b0	Low frequency (Hz)	High frequency (Hz)	Keypad symbol
0	0	0	0	941	1633	D
0	0	0	1	697	1209	1
0	0	1	0	697	1336	2
0	0	1	1	697	1477	3
0	1	0	0	770	1209	4
0	1	0	1	770	1336	5
0	1	1	0	770	1477	6
0	1	1	1	852	1209	7
1	0	0	0	852	1336	8
1	0	0	1	852	1477	9
1	0	1	0	941	1336	0
1	0	1	1	941	1209	*
1	1	0	0	941	1477	#
1	1	0	1	697	1633	A
1	1	1	0	770	1633	B
1	1	1	1	852	1633	C

### 1.5.10.4 Receive Mode Register

#### Receive Mode Register: 16-bit write-only. C-BUS address \$E2

This register controls the CMX867 receive signal type and level.

All bits of this register are cleared to 0 by a General Reset command, in Powersave mode or when b7 (Reset) of the General Control Register is 1.

Bit:	15	14	13	12	11	10	9	8	7	6	5	4	3	2	1	0
	Rx mode = modem				Rx level			Eq	Descrambl	Start-stop/Synch			No. of bits and parity			
	Rx mode = Tones detect				Rx level			DTMF/Tones/Call Progress select								
	Rx mode = Disabled				Set to 0000 0000 0000											

#### Rx Mode Register b15-12: Rx mode

These 4 bits select the receive operating mode.

b15	b14	b13	b12		
1	1	1	1	Receiver disabled	(Reserved for future use)
1	1	1	0	Receiver disabled	(Reserved for future use)
1	1	0	1	V.22/Bell 212A 1200 bps DPSK	High band (Calling modem)
1	1	0	0	"	Low band (Answering modem)
1	0	1	1	V.22 600 bps DPSK	High band (Calling modem)
1	0	1	0	"	Low band (Answering modem)
1	0	0	1	V.21 300 bps FSK	High band (Calling modem)
1	0	0	0	"	Low band (Answering modem)
0	1	1	1	Bell 103 300 bps FSK	High band (Calling modem)
0	1	1	0	"	Low band (Answering modem)
0	1	0	1	V.23 FSK	1200 bps
0	1	0	0	"	75 bps
0	0	1	1	Bell 202 FSK	1200 bps
0	0	1	0	"	150 bps
0	0	0	1	DTMF, Programmed tone pair, Answer Tone, Call Progress detect	
0	0	0	0	Receiver disabled	

#### Rx Mode Register b11-9: Rx level

These three bits set the gain of the Rx Gain Control block.

b11	b10	b9	
1	1	1	0dB
1	1	0	-1.5dB
1	0	1	-3.0dB
1	0	0	-4.5dB
0	1	1	-6.0dB
0	1	0	-7.5dB
0	0	1	-9.0dB
0	0	0	-10.5dB



**Rx Mode Register b8: Rx Auto-equalise (DPSK modes)**

This bit controls the operation of the receive DPSK auto-equaliser. Set to 0 in FSK modes.

b8 = 1	Enable auto-equaliser
b8 = 0	DPSK mode: Auto-equaliser disabled

**Rx Mode Register b7-6: Rx Scrambler (DPSK modes)**

These 2 bits control the operation of the Rx descrambler used in DPSK modes. Set both bits to 0 in FSK modes

b7	b6	
1	1	Descrambler enabled, 64 ones detect circuit enabled (normal use)
1	0	Descrambler enabled, 64 ones detect circuit disabled
0	x	Descrambler disabled

**Rx Mode Register b5-3: Rx USART Setting (DPSK and FSK modes)**

These three bits select the Rx USART operating mode. The 1% and 2.3% overspeed options apply to DPSK modes only.

b5	b4	b3	
1	1	1	Rx Synchronous mode
1	1	0	Rx Start-stop mode, no overspeed
1	0	1	Rx Start-stop mode, +1% overspeed (1 in 8 missing Stop bits allowed)
1	0	0	Rx Start-stop mode, +2.3% overspeed (1 in 4 missing Stop bits allowed)
0	x	x	Rx USART function disabled

**Rx Mode Register b2-0: Rx Data bits and parity (DPSK and FSK: Start-Stop modes)**

In Start-stop mode these three bits select the number of data bits (plus any parity bit) in each received character. These bits are ignored in Synchronous mode.

b2	b1	b0	
1	1	1	8 data bits + parity
1	1	0	8 data bits
1	0	1	7 data bits + parity
1	0	0	7 data bits
0	1	1	6 data bits + parity
0	1	0	6 data bits
0	0	1	5 data bits + parity
0	0	0	5 data bits

**Rx Mode Register b2-0: Tones Detect mode**

In Tones Detect Mode (Rx Mode Register b15-12 = 0001) b8-3 should be set to 000000

Bits 2-0 select the detector type.

b2	b1	b0	
1	0	0	Programmable Tone Pair Detect
0	1	1	Call Progress Detect
0	1	0	2100, 2225Hz Answer Tone Detect
0	0	1	DTMF Detect
0	0	0	Disabled

### 1.5.10.5 Tx Data Register

**Tx Data Register: 8-bit write-only. C-BUS addresses \$E3 and \$E4**

Bit:	7	6	5	4	3	2	1	0
Data bits to be transmitted								

In Synchronous Tx data mode this register contains the next 8 data bits to be transmitted. Bit 0 is transmitted first.

In Tx Start-Stop mode the specified number of data bits will be transmitted from this register (b0 first). A Start bit, a Parity bit (if required) and Stop bit(s) will be added automatically.

This register should only be written to when the Tx Data Ready bit of the Status Register is 1.

C-BUS address \$E3 should normally be used, \$E4 is for implementing the V.14 overspeed transmission requirement in Start-Stop mode, see section 1.5.1.

### 1.5.10.6 Rx Data Register

**Rx Data Register: 8-bit read-only. C-BUS address \$E5**

Bit:	7	6	5	4	3	2	1	0
Received data bits								

In unformatted Rx data mode this register contains 8 received data bits, b0 of the register holding the earliest received bit, b7 the latest.

In Rx Start-Stop data mode this register contains the specified number of data bits from a received character, b0 holding the first received bit.

### 1.5.10.7 Status Register

**Status Register: 16-bit read-only. C-BUS address \$E6**

Bits 15 and 13-0 of this register are cleared to 0 by a General Reset command, in Powersave mode, or when b7 (Reset) of the General Control Register is 1.

Bit:	15	14	13	12	11	10	9	8	7	6	5	4	3	2	1	0
	IRQ	RD	PF	See below for uses of these bits												

The meanings of the Status Register bits 12-0 depend on whether the receive circuitry is in Modem or Tones Detect mode.

#### Status Register bits:

	Rx Modem modes	Rx Tones Detect modes	** IRQ Mask bit
b15	IRQ		
b14	Set to 1 on Ring Detect		b5
b13	Programming Flag bit. See 1.5.10.8		b4
b12	Set to 1 on Tx data ready. Cleared by write to Tx Data Register		b3
b11	Set to 1 on Tx data underflow. Cleared by write to Tx Data Register		b3
b10	1 when energy is detected in Rx modem signal band	1 when energy is detected in Call Progress band or when both programmable tones are detected	b2
b9	1 when double DPSK dibit 00,11 pattern is detected in 1200bps DPSK mode, or when '1010..' pattern is detected in all other modes	0	b1
b8	See following table	0	b1
b7	See following table	1 when 2100Hz answer tone or the second programmable tone is detected	b1
b6	Set to 1 on Rx data ready. Cleared by read from Rx Data Register	1 when 2225Hz answer tone or the first programmable tone is detected	b0
b5	Set to 1 on Rx data overflow. Cleared by read from Rx Data Register	1 when DTMFcode is detected	b0
b4	Set to 1 on Rx framing error	0	-
b3	Set to 1 on even Rx parity	Rx DTMF code b3, see table	-
b2	DPSK Rx signal quality b2	Rx DTMF code b2	-
b1	DPSK Rx signal quality b1	Rx DTMF code b1	-
b0	DPSK Rx signal quality b0 or FSK frequency demodulator output	Rx DTMF code b0	-

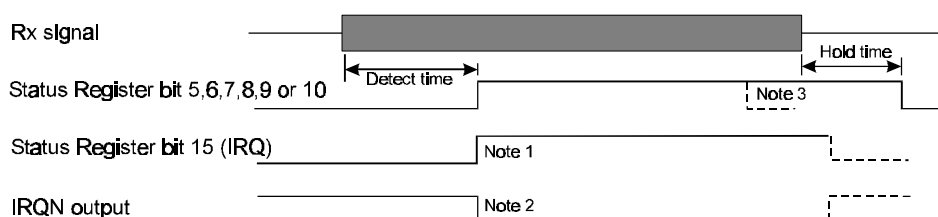
Notes: \*\* This column shows the corresponding IRQ Mask bits in the General Control Register. A 0 to 1 transition on any of the Status Register bits 14-5 will cause the IRQ bit b15 to be set to 1 if the corresponding IRQ Mask bit is 1. The IRQ bit is cleared by a read of the Status Register or a General Reset command or by setting b7 or b8 of the General Control Register to 1.

The operation of the data demodulator and pattern detector circuits within the CMX867 does not depend on the state of the Rx energy detect function.

Decoding of Status Register b8,7 in Rx Modem Modes, see also Figure 7a

b8	b7	Descrambler disabled	Descrambler enabled (DPSK modes only)
1	1	-	Continuous scrambled 1s (see note)
1	0	Continuous unscrambled 0s	Continuous scrambled 0s
0	1	Continuous unscrambled 1s	Continuous unscrambled 1s
0	0	-	-

When the descrambler is enabled then detection of continuous unscrambled 1s will inhibit the continuous scrambled 1s detector.



- Notes:
1. IRQ will go high only if appropriate IRQ Mask bit in General Control Register is set. The IRQ bit is cleared by a read of the Status Register.
  2. IRQN o/p will go low when IRQ bit high if IRQNEN bit of General Control Register is set
  3. In Rx Modem modes Status Register bits 5 and 6 are set by a Rx Data Ready or Rx Data Underflow event and cleared by a read of the Rx Data Register

**Figure 9a Operation of Status Register bits 5-10**

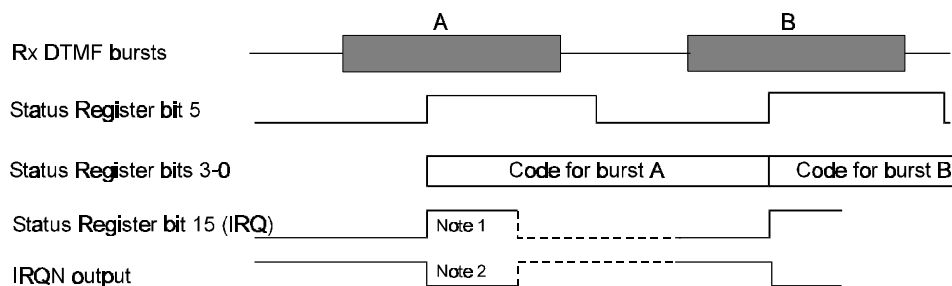
The IRQN output pin will be pulled low (to Vss) when the IRQ bit of the Status Register and the IRQNEN bit (b6) of the General Control Register are both 1.

Changes to Status Register bits caused by a change of Tx or Rx operating mode can take up to 150µs to take effect.

In Powersave mode or when the Reset bit (b7) of the General Control Register is 1 the Ring Detect bit (b14) continues to operate but all other bits will be 0.

The 'continuous 0' and 'continuous 1' detectors monitor the Rx signal after the DPSK descrambler, (see Figure 7a) and hence will detect continuous 1s or 0s if the descrambler is disabled, or continuous scrambled 1s or 0s if the descrambler is enabled.

In DPSK Rx modem modes b2-0 of the Status Register contain a value indicative of the received signal BER, see Figure 10. In Rx FSK modem modes bits 2 and 1 will be zero and b0 will show the output of the frequency demodulator, updated at 8 times the nominal data rate.

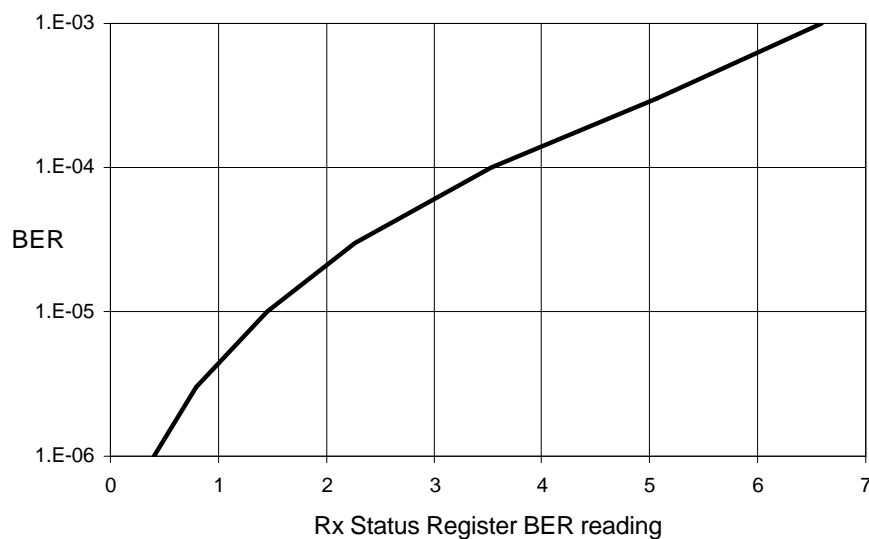


- Notes: 1. IRQ will go high only if the IRQ Mask bit b0 in the General Control Register is set. The IRQ bit is cleared by a read of the Status Register.  
 2. IRQN o/p will go low when IRQ bit high if IRQNEN bit of General Control Register is set

**Figure 9b Operation of Status Register in DTMF Rx Mode**

b3	b2	b1	b0	Low frequency (Hz)	High frequency (Hz)	Keypad symbol
0	0	0	0	941	1633	D
0	0	0	1	697	1209	1
0	0	1	0	697	1336	2
0	0	1	1	697	1477	3
0	1	0	0	770	1209	4
0	1	0	1	770	1336	5
0	1	1	0	770	1477	6
0	1	1	1	852	1209	7
1	0	0	0	852	1336	8
1	0	0	1	852	1477	9
1	0	1	0	941	1336	0
1	0	1	1	941	1209	*
1	1	0	0	941	1477	#
1	1	0	1	697	1633	A
1	1	1	0	770	1633	B
1	1	1	1	852	1633	C

**Received DTMF Code: b3-0 of Status Register**



**Figure 10 Typical Rx BER vs. Average Status Register BER Reading (b2-0)**

### 1.5.10.8 Programming Register

**Programming Register : 16-bit write-only. C-BUS address \$E8**

This register is used to program the transmit and receive programmed tone pairs by writing appropriate values to RAM locations within the CMX867. Note that these RAM locations are cleared by Powersave or Reset.

The Programming Register should only be written to when the Programming Flag bit (b13) of the Status Register is 1. The act of writing to the Programming Register clears the Programming Flag bit. When the programming action has been completed (normally within 150 $\mu$ s) the CMX867 will set the bit back to 1.

When programming Transmit or Receive Tone Pairs, do not change the Transmit or Receive Mode Registers until programming is complete and the Programming Flag bit has returned to 1.

#### Transmit Tone Pair Programming

4 transmit tone pairs (TA to TD) can be programmed.

The frequency (max 3.4kHz) and level must be entered for each tone to be used.

Single tones are programmed by setting both level and frequency values to zero for one of the pair.

Programming is done by writing a sequence of up to seventeen 16-bit words to the Programming Register.

The first word should be 32768 (8000 hex), the following 16-bit words set the frequencies and levels and are in the range 0 to 16383 (0-3FFF hex)

Word	Tone Pair	Value written
1		32768
2	TA	Tone 1 frequency
3	TA	Tone 1 level
4	TA	Tone 2 frequency
5	TA	Tone 2 level
6	TB	Tone 1 frequency
7	TB	Tone 1 level
---	---	-----
---	---	-----
16	TD	Tone 2 frequency
17	TD	Tone 2 level

The Frequency values to be entered are calculated from the formula:

$$\text{Value to be entered} = \text{desired frequency (Hz)} * 3.414$$

i.e. for 1kHz the value to be entered is 3414 (or 0D56 in Hex).

The Level values to be entered are calculated from the formula:

$$\text{Value to be entered} = \text{desired } V_{rms} * 93780 / V_{DD}$$

i.e. for 0.5Vrms at VDD = 3.0V, the value to be entered is 15630 (3D0E in Hex)

Note that allowance should be made for the transmit signal filtering in the CMX867 which attenuates the output signal for frequencies above 2kHz by 0.25dB at 2.5kHz, by 1dB at 3kHz and by 2.2dB at 3.4kHz.

On powerup or after a reset, the tone pairs TA-TC are set to notone, and TD set to generate 2130Hz + 2750Hz at approximately -20dBm each.

### Receive Tone Pair Programming

The programmable tone pair detector is implemented as shown in Figure 11a. The filters are 4<sup>th</sup> order IIR sections. The frequency detectors measure the time taken for a programmable number of complete input signal cycles and compare this time against programmable upper and lower limits.

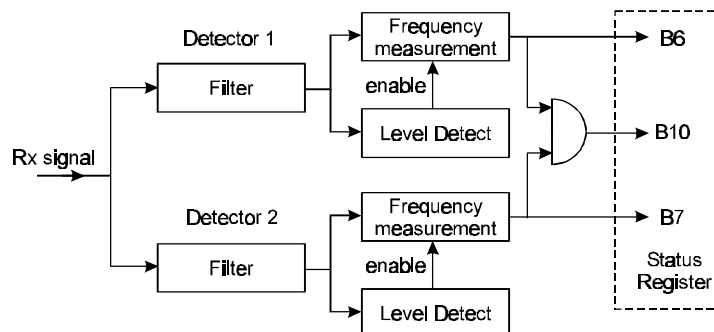
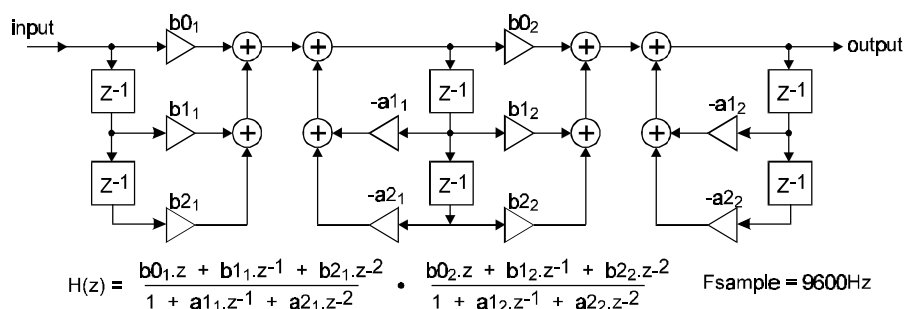


Figure 11a Programmable Tone Detectors



**Figure 11b Filter Implementation**

Programming is done by writing a sequence of twenty-seven 16-bit words to the Programming Register. The first word should be 32769 (8001 hex), the following twenty-six 16-bit words set the frequencies and levels and are in the range 0 to 32767 (0000-7FFF hex).

Word	Value written	Word	Value written
1	32769	15	Filter #2 coefficient b <sub>21</sub>
2	Filter #1 coefficient b <sub>21</sub>	16	Filter #2 coefficient b <sub>11</sub>
3	Filter #1 coefficient b <sub>11</sub>	17	Filter #2 coefficient b <sub>01</sub>
4	Filter #1 coefficient b <sub>01</sub>	18	Filter #2 coefficient a <sub>21</sub>
5	Filter #1 coefficient a <sub>21</sub>	19	Filter #2 coefficient a <sub>11</sub>
6	Filter #1 coefficient a <sub>11</sub>	20	Filter #2 coefficient b <sub>22</sub>
7	Filter #1 coefficient b <sub>22</sub>	21	Filter #2 coefficient b <sub>12</sub>
8	Filter #1 coefficient b <sub>12</sub>	22	Filter #2 coefficient b <sub>02</sub>
9	Filter #1 coefficient b <sub>02</sub>	23	Filter #2 coefficient a <sub>22</sub>
10	Filter #1 coefficient a <sub>22</sub>	24	Filter #2 coefficient a <sub>12</sub>
11	Filter #1 coefficient a <sub>12</sub>	25	Freq measurement #2 ncycles
12	Freq measurement #1 ncycles	26	Freq measurement #2 mintime
13	Freq measurement #1 mintime	27	Freq measurement #2 maxtime
14	Freq measurement #1 maxtime		

The coefficients are entered as 15-bit signed (two's complement) integer values (the most significant bit of the 16-bit word entered should be zero) calculated as 8192 \* coefficient value from the user's filter design program (i.e. this allows for filter design values of -1.9999 to +1.9999).

The design of the IIR filters should make allowance for the fixed receive signal filtering in the CMX867 which has a low pass characteristic above 1.5kHz of 0.4dB at 2kHz, 1.2dB at 2.5kHz, 2.6dB at 3kHz and 4.1dB at 3.4kHz.

'ncycles' is the number of signal cycles for the frequency measurement.

'mintime' is the smallest acceptable time for ncycles of the input signal expressed as the number of 9.6kHz timer clocks. i.e. 'mintime' = 9600 \* ncycles / high frequency limit

'maxtime' is the highest acceptable time for ncycles of the input signal expressed as the number of 9.6kHz timer clocks. i.e. 'maxtime' = 9600 \* ncycles / low frequency limit

The level detectors include hysteresis. The threshold levels - measured at the 2 or 4-wire line with unity gain filters, using the line interface circuits described in section 1.4.2, 1.0 dB line coupling transformer loss and with the Rx Gain Control block set to 0dB - are nominally:

- 'Off' to 'On' -44.5dBm
- 'On' to 'Off' -47.0dBm



Note that if any changes are made to the programmed values while the CMX867 is running in Programmed Tone Detect mode they will not take effect until the CMX867 is next switched into Programmed Tone Detect mode.

On powerup or after a reset, the programmable tone pair detector is set to act as a simple 2130Hz + 2750Hz detector.

## 1.6 Application Notes

### 1.6.1 V.22 Calling Modem Application

This section describes how the CMX867 can be used in a V.22 Calling modem application, employing V.25 automatic answering and the V.22 recommended handshake sequence. This attempts to establish a 1200bps connection.

1. Ensure that the CMX867 is powered up. Set the Tx Mode Register to DTMF/Tones mode (set to 'No Tone' at this time), and the Rx Mode Register to Call Progress Detect mode.
2. Connect the line (go off hook) then dial the required number using the DTMF generator, monitoring for call progress signals (dial tone, busy, etc). Change to Answer Tone Detect mode.
3. On detection of the 2100Hz answer tone wait for it to end then wait for the 2225Hz answer tone detector to respond. (The '2225Hz' answer tone detector will recognise unscrambled binary 1s at 1200bps High Band as well as 2225Hz). When unscrambled binary 1s or 2225Hz have been received for 155ms set a 456ms timer.
4. When the 456ms timer expires check that the 2225Hz or unscrambled 1s is still being received, then set the Tx Mode Register for V.22 1200bps Low Band transmission of scrambled 1s (continuous 1s with the scrambler enabled). Also set the Rx Mode register to V.22 1200bps High Band receive, descrambler enabled and Rx USART disabled.
5. When scrambled 1s (at 1200bps) have been received for 270ms enable the Rx USART, set a 765ms timer and load the Tx Data Register with the first data to be transmitted.
6. When the timer expires set the Tx Mode Register for Start-Stop or Synchronous transmission of data from the Tx Data Buffer. This will start transmission of the data loaded in step 5.
7. A 1200bps data connection has now been established.

### 1.6.2 V.22 Answering Modem Application

This section describes how the CMX867 can be used in a V.22 Answering modem application, employing V.25 automatic answering and the V.22 recommended handshake sequence. This attempts to establish a 1200 bps connection.

1. It is assumed that the CMX867 will be in Powersave mode, with the Ring Detector circuits monitoring the line.
2. When a ring signal is detected connect the line (go off hook), set a 2150ms timer and power up the CMX867, setting the Tx Mode Register to DTMF/Tones mode (set for 'no tone' at this time) and the Rx Mode Register to V.22 1200bps Low Band receive, descrambler enabled, Rx USART disabled.
3. When the 2150ms timer expires set the Tx Mode Register to transmit the 2100Hz answer tone and set a 3300ms timer.
4. When the 3300ms timer expires set the Tx Mode Register to no tone and set a 75ms timer.
5. When the 75ms timer expires set the Tx Mode Register for V.22 High Band 1200bps transmission of unscrambled 1s. Monitor the received signal for scrambled 1s.
6. When scrambled 1s have been detected for 270ms, set the Tx Mode Register to V.22 High Band 1200bps scrambled 1s transmission and set a 765ms timer and enable the Rx USART.
7. Load the Tx Data Buffer with the first data to be transmitted.
8. When the 765ms timer expires set the Tx Mode Register for Start-Stop or Synchronous transmission of data from the Tx Data Buffer. This will start transmission of the data loaded in step 7.
9. A 1200bps data connection has now been established.

## 1.7 Performance Specification

### 1.7.1 Electrical Performance

#### 1.7.1.1 Absolute Maximum Ratings

Exceeding these maximum ratings can result in damage to the device.

	<b>Min.</b>	<b>Max.</b>	<b>Units</b>
Supply ( $V_{DD} - V_{SS}$ )	-0.3	7.0	V
Voltage on any pin to $V_{SS}$	-0.3	$V_{DD} + 0.3$	V
Current into or out of $V_{DD}$ and $V_{SS}$ pins	-50	+50	mA
Current into RDRVN pin (RDRVN pin low)		+50	mA
Current into or out of any other pin	-20	+20	mA

<b>D2 Package</b>	<b>Min.</b>	<b>Max.</b>	<b>Units</b>
Total Allowable Power Dissipation at $T_{amb} = 25^{\circ}\text{C}$		1000	mW
... Derating		13	mW/ $^{\circ}\text{C}$
Storage Temperature	-55	+125	$^{\circ}\text{C}$
Operating Temperature	-40	+85	$^{\circ}\text{C}$

<b>E2 Package</b>	<b>Min.</b>	<b>Max.</b>	<b>Units</b>
Total Allowable Power Dissipation at $T_{amb} = 25^{\circ}\text{C}$		400	mW
... Derating		5.3	mW/ $^{\circ}\text{C}$
Storage Temperature	-55	+125	$^{\circ}\text{C}$
Operating Temperature	-40	+85	$^{\circ}\text{C}$

<b>P4 Package</b>	<b>Min.</b>	<b>Max.</b>	<b>Units</b>
Total Allowable Power Dissipation at $T_{amb} = 25^{\circ}\text{C}$		1000	mW
... Derating		13	mW/ $^{\circ}\text{C}$
Storage Temperature	-55	+125	$^{\circ}\text{C}$
Operating Temperature	-40	+85	$^{\circ}\text{C}$

#### 1.7.1.2 Operating Limits

Correct operation of the device outside these limits is not implied.

	<b>Notes</b>	<b>Min.</b>	<b>Max.</b>	<b>Units</b>
Supply ( $V_{DD} - V_{SS}$ )		2.7	5.5	V
Operating Temperature		-40	+85	$^{\circ}\text{C}$

### 1.7.1.3 Operating Characteristics

For the following conditions unless otherwise specified:  
 $V_{DD} = 2.7V$  to  $5.5V$  at  $T_{amb} = -40$  to  $+85^{\circ}C$ ,  
 Xtal Frequency =  $11.0592$  or  $12.288MHz \pm 0.01\%$  (100ppm)  
 0dBm corresponds to  $775mV_{rms}$ .

DC Parameters	Notes	Min.	Typ.	Max.	Units
$I_{DD}$ (Powersave mode)	1, 2	-	2.0	5.0	$\mu A$
(Reset but not powersave, $V_{DD} = 3.0V$ )	1, 3	-	1.7	3.5	mA
(Reset but not powersave, $V_{DD} = 5.0V$ )	1, 3	-	2.5	5.0	mA
(Running, $V_{DD} = 3.0V$ )	1	-	3.0	6.0	mA
(Running, $V_{DD} = 5.0V$ )	1	-	5.5	11.0	mA
Logic '1' Input Level	4	70%	-	-	$V_{DD}$
Logic '0' Input Level	4	-	-	30%	$V_{DD}$
Logic Input Leakage Current ( $V_{in} = 0$ to $V_{DD}$ ), (excluding XTAL/CLOCK input)		-1.0	-	+1.0	$\mu A$
Output Logic '1' Level ( $I_{OH} = 2$ mA)		80%	-	-	$V_{DD}$
Output Logic '0' Level ( $I_{OL} = -3$ mA)		-	-	0.4	V
IRQN O/P 'Off' State Current ( $V_{out} = V_{DD}$ )		-	-	1.0	$\mu A$
RD and RT pin Schmitt trigger input high-going threshold ( $V_{thi}$ ) (see Figure 12)		$0.56V_{DD}$	-	$0.56V_{DD}$ + $0.6V$	V
RD and RT pin Schmitt trigger input low-going threshold ( $V_{tlo}$ ) (see Figure 12)		$0.44V_{DD}$ - $0.6V$	-	$0.44V_{DD}$	V
RDRVN 'ON' resistance to $V_{SS}$ ( $V_{DD} = 3.0V$ )		-	50	70	$\Omega$
RDRVN 'OFF' resistance to $V_{DD}$ ( $V_{DD} = 3.0V$ )		-	1300	3000	$\Omega$

XTAL/CLOCK Input (timings for an external clock input)	Notes	Min.	Typ.	Max.	Units
'High' Pulse Width		30	-	-	ns
'Low' Pulse Width		30	-	-	ns

- Notes:
- At  $25^{\circ}C$ , not including any current drawn from the CMX867 pins by external circuitry other than X1, C1 and C2.
  - All logic inputs at  $V_{SS}$  except for RT and CSN inputs which are at  $V_{DD}$ .
  - General Mode Register b8 and b7 both set to 1.
  - Excluding RD and RT pins.

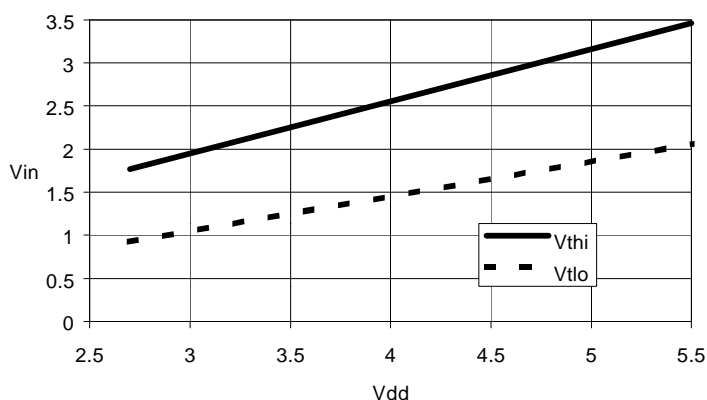


Figure 12 Typical Schmitt Trigger Input Voltage Thresholds vs.  $V_{DD}$

<b>Transmit DPSK Modes (V.22 and Bell 212A)</b>	<b>Notes</b>	<b>Min.</b>	<b>Typ.</b>	<b>Max.</b>	<b>Units</b>
Carrier frequency, high band	5	-	2400	-	Hz
Carrier frequency, low band	5	-	1200	-	Hz
Baud rate	6	-	600	-	Baud
Bit rate	6	-	1200/600	-	bps
550Hz guard tone frequency		548	550	552	Hz
550Hz guard tone level wrt data signal		-4.0	-3.0	-2.0	dB
1800Hz guard tone frequency		1797	1800	1803	Hz
1800Hz guard tone level wrt data signal		-7.0	-6.0	-5.0	dB

<b>Transmit V.21 FSK Mode</b>	<b>Notes</b>	<b>Min.</b>	<b>Typ.</b>	<b>Max.</b>	<b>Units</b>
Baud rate	6	-	300	-	Baud
Mark (logical 1) frequency, high band		1647	1650	1653	Hz
Space (logical 0) frequency, high band		1847	1850	1853	Hz
Mark (logical 1) frequency, low band		978	980	982	Hz
Space (logical 0) frequency, low band		1178	1180	1182	Hz

<b>Transmit Bell 103 FSK Mode</b>	<b>Notes</b>	<b>Min.</b>	<b>Typ.</b>	<b>Max.</b>	<b>Units</b>
Baud rate	6	-	300	-	Baud
Mark (logical 1) frequency, high band		2222	2225	2228	Hz
Space (logical 0) frequency, high band		2022	2025	2028	Hz
Mark (logical 1) frequency, low band		1268	1270	1272	Hz
Space (logical 0) frequency, low band		1068	1070	1072	Hz

<b>Transmit V.23 FSK Mode</b>	<b>Notes</b>	<b>Min.</b>	<b>Typ.</b>	<b>Max.</b>	<b>Units</b>
Baud rate	6	-	1200/75	-	Baud
Mark (logical 1) frequency, 1200 baud		1298	1300	1302	Hz
Space (logical 0) frequency, 1200 baud		2097	2100	2103	Hz
Mark (logical 1) frequency, 75 baud		389	390	391	Hz
Space (logical 0) frequency, 75 baud		449	450	451	Hz

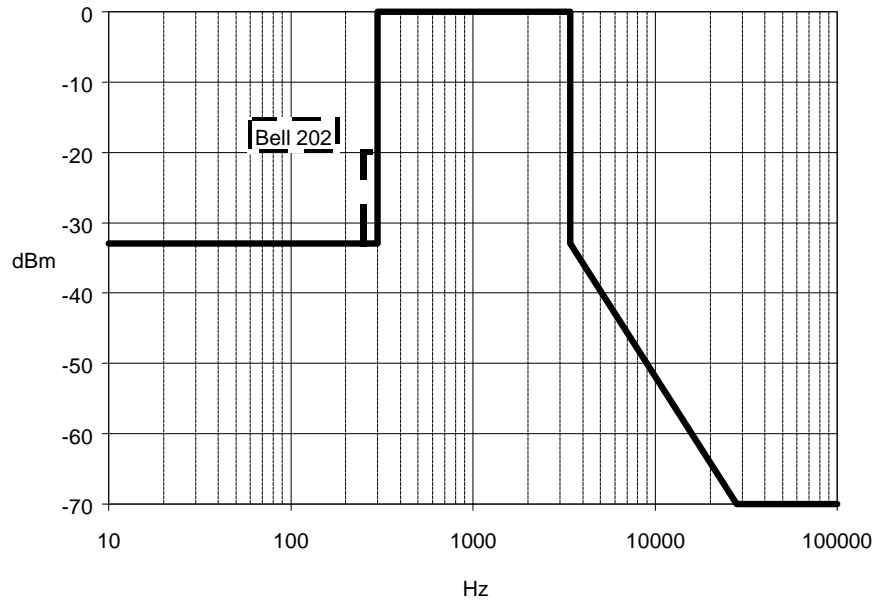
<b>Transmit Bell 202 FSK Mode</b>	<b>Notes</b>	<b>Min.</b>	<b>Typ.</b>	<b>Max.</b>	<b>Units</b>
Baud rate	6	-	1200/150	-	Baud
Mark (logical 1) frequency, 1200 baud		1198	1200	1202	Hz
Space (logical 0) frequency, 1200 baud		2197	2200	2203	Hz
Mark (logical 1) frequency, 150 baud		386	387	388	Hz
Space (logical 0) frequency, 150 baud		486	487	488	Hz

<b>DTMF/Single Tone Transmit</b>	<b>Notes</b>	<b>Min.</b>	<b>Typ.</b>	<b>Max.</b>	<b>Units</b>
Tone frequency accuracy		-0.2	-	+0.2	%
Distortion	7	-	1.0	2.0	%

- Notes:
5. % carrier frequency accuracy is the same as XTAL/CLOCK % frequency accuracy.
  6. Tx signal % baud or bit rate accuracy is the same as XTAL/CLOCK % frequency accuracy.
  7. Measured between TXA and TXAN pins with Tx Level Control gain set to 0dB, 1k $\Omega$  load between TXA and TXAN, at  $V_{DD} = 3.0V$  (levels are proportional to  $V_{DD}$  - see section 1.4.2). Level measurements for all modem modes are performed with random transmitted data and without any guard tone. 0dBm = 775mVrms.

Transmit Output Level	Notes	Min.	Typ.	Max.	Units
Modem and Single Tone modes	7	-4.0	-3.0	-2.0	dBm
DTMF mode, Low Group tones	7	-2.0	-1.0	0.0	dBm
DTMF: level of High Group tones wrt Low Group	7	+1.0	+2.0	+3.0	dB
Tx output buffer gain control accuracy	7	-0.25	-	+0.25	dB



**Figure 13 Maximum Out of Band Tx Line Energy Limits (see note 8)**

- Notes:
8. Measured on the 2 or 4-wire line using the line interface circuits described in section 1.4.2 with the Tx line signal level set to -10dBm for DPSK, FSK or single tones, -6dBm and -8dBm for DTMF tones. Excludes any distortion due to external components such as the line coupling transformer.

<b>Receive DPSK Modes (V.22 and Bell 212A)</b>	<b>Notes</b>	<b>Min.</b>	<b>Typ.</b>	<b>Max.</b>	<b>Units</b>
Carrier frequency (high band)		2392	2400	2408	Hz
Carrier frequency (low band)		1192	1200	1208	Hz
Baud rate	9	-	600	-	Baud
Bit rate	9	-	1200/600	-	bps
<b>Receive V.21 FSK Mode</b>	<b>Notes</b>	<b>Min.</b>	<b>Typ.</b>	<b>Max.</b>	<b>Units</b>
Acceptable baud rate		297	300	303	Baud
Mark (logical 1) frequency, high band		1638	1650	1662	Hz
Space (logical 0) frequency, high band		1838	1850	1862	Hz
Mark (logical 1) frequency, low band		968	980	992	Hz
Space (logical 0) frequency, low band		1168	1180	1192	Hz
<b>Receive Bell 103 FSK Mode</b>	<b>Notes</b>	<b>Min.</b>	<b>Typ.</b>	<b>Max.</b>	<b>Units</b>
Acceptable baud rate		297	300	303	Baud
Mark (logical 1) frequency, high band		2213	2225	2237	Hz
Space (logical 0) frequency, high band		2013	2025	2037	Hz
Mark (logical 1) frequency, low band		1258	1270	1282	Hz
Space (logical 0) frequency, low band		1058	1070	1082	Hz
<b>Receive V.23 FSK Mode</b>	<b>Notes</b>	<b>Min.</b>	<b>Typ.</b>	<b>Max.</b>	<b>Units</b>
<b>1200 baud</b>					
Acceptable baud rate		1188	1200	1212	Baud
Mark (logical 1) frequency		1280	1300	1320	Hz
Space (logical 0) frequency		2080	2100	2120	Hz
<b>75 baud</b>					
Acceptable baud rate		74	75	76	Baud
Mark (logical 1) frequency		382	390	398	Hz
Space (logical 0) frequency		442	450	458	Hz
<b>Receive Bell 202 FSK Mode</b>	<b>Notes</b>	<b>Min.</b>	<b>Typ.</b>	<b>Max.</b>	<b>Units</b>
<b>1200 baud</b>					
Acceptable baud rate		1188	1200	1212	Baud
Mark (logical 1) frequency		1180	1200	1220	Hz
Space (logical 0) frequency		2180	2200	2220	Hz
<b>150 baud</b>					
Acceptable baud rate		148	150	152	Baud
Mark (logical 1) frequency		377	387	397	Hz
Space (logical 0) frequency		477	487	497	Hz
<b>Rx Modem Signal (FSK and DPSK Modes)</b>	<b>Notes</b>	<b>Min.</b>	<b>Typ.</b>	<b>Max.</b>	<b>Units</b>
Signal level	10	-45	-	-9	dBm
Signal to Noise Ratio (noise flat 300-3400Hz)		20	-	-	dB

Notes: 9. These are the bit and baud rates of the line signal, the acceptable tolerance is  $\pm 0.01\%$ .  
10. Rx 2 or 4-wire line signal level assuming 1dB loss in line coupling transformer with Rx Gain Control block set to 0dB and external components as section 1.4.2.



<b>Rx Modem '0011' Dibit Pattern Detector (1200bps DPSK mode)</b>	<b>Notes</b>	<b>Min.</b>	<b>Typ.</b>	<b>Max.</b>	<b>Units</b>
Will detect pattern lasting for		90.0	-	-	ms
Will not detect pattern lasting for				72.0	
Hold time (minimum detector 'On' time)		5.0	-	-	ms
<b>Rx Modem Energy Detector</b>	<b>Notes</b>	<b>Min.</b>	<b>Typ.</b>	<b>Max.</b>	<b>Units</b>
Detect threshold ('Off' to 'On')	10,11	-	-	-43.0	dBm
Undetect threshold ('On' to 'Off')	10,11	-48.0	-	-	dBm
Hysteresis	10,11	2.0	-	-	dB
<b>Detect ('Off' to 'On') response time</b>					
DPSK modes	10,11	10.0	-	35.0	ms
300 and 1200 baud FSK modes	10,11	8.0	-	30.0	ms
150 and 75 baud FSK modes	10,11	16.0	-	60.0	ms
<b>Undetect ('On' to 'Off') response time</b>					
DPSK modes	10,11	10.0	-	55.0	ms
300 and 1200 baud FSK modes	10,11	10.0	-	40.0	ms
150 and 75 baud FSK modes	10,11	20.0	-	80.0	ms
<b>Rx Answer Tone Detectors</b>	<b>Notes</b>	<b>Min.</b>	<b>Typ.</b>	<b>Max.</b>	<b>Units</b>
Detect threshold ('Off' to 'On')	10,12	-	-	-43.0	dBm
Undetect threshold ('On' to 'Off')	10,12	-48.0	-	-	dBm
Hysteresis	10,12	2.0	-	-	dB
Detect ('Off' to 'On') response time	10,12	30.0	33.0	45.0	ms
Undetect ('On' to 'Off') response time	10,12	7.0	18.0	25.0	ms
<b>2100Hz detector</b>					
'Will detect' frequency		2050	-	2160	Hz
'Will not detect' frequency		-	-	2000	Hz
<b>2225Hz detector</b>					
'Will detect' frequency		2160	-	2285	Hz
'Will not detect' frequency		2335	-	-	Hz
<b>Rx Call Progress Energy Detector</b>	<b>Notes</b>	<b>Min.</b>	<b>Typ.</b>	<b>Max.</b>	<b>Units</b>
Bandwidth (-3dB points) See Figure 6a		275	-	665	Hz
Detect threshold ('Off' to 'On')	10,13	-	-	-37.0	dBm
Undetect threshold ('On' to 'Off')	10,13	-42.0	-	-	dBm
Hysteresis	10,13	2.0	-	-	dB
Detect ('Off' to 'On') response time	10,13	30.0	36.0	45.0	ms
Undetect ('On' to 'Off') response time	10,13	6.0	8.0	50.0	ms

- Notes:
11. Thresholds and times measured with random data for DPSK modes, continuous binary '1' for all FSK modes. Fixed compromise line equaliser enabled. Signal switched between off and -33dBm
  12. 'Typical' value refers to 2100Hz or 2225Hz signal switched between off and -33dBm. Times measured wrt. received line signal
  13. 'Typical' values refers to 400Hz signal switched between off and -33dBm

<b>DTMF Decoder</b>	<b>Notes</b>	<b>Min.</b>	<b>Typ.</b>	<b>Max.</b>	<b>Unit</b>
Valid input signal levels (each tone of composite signal)	10	-30.0	-	0.0	dBm
Not decode level (either tone of composite signal)	10	-	-	-36.0	dBm
Twist = High Tone/Low Tone		-10.0	-	6.0	dB
Frequency Detect Bandwidth		±1.8	-	-	%
Frequency Not Detect Bandwidth		-	-	±3.5	%
Max level of low frequency noise (i.e dial tone)					
Interfering signal frequency <= 550Hz	14	-	-	0.0	dB
Interfering signal frequency <= 450Hz	14	-	-	10.0	dB
Interfering signal frequency <= 200Hz	14	-	-	20.0	dB
Max. noise level wrt. signal	14,15	-	-	-10.0	dB
DTMF detect response time		-	-	40.0	ms
DTMF de-response time		-	-	30.0	ms
Status Register b5 high time		14.0	-	-	ms
'Will Detect' DTMF signal duration		40.0	-	-	ms
'Will Not Detect' DTMF signal duration		-	25.0	-	ms
Pause length detected		30.0	-	-	ms
Pause length ignored		-	-	15.0	ms
<hr/>					
<b>Receive Input Amplifier</b>	<b>Notes</b>	<b>Min.</b>	<b>Typ.</b>	<b>Max.</b>	<b>Units</b>
Input impedance (at 100Hz)		10.0			Mohm
Open loop gain (at 100Hz)			10000		V/V
Rx Gain Control Block accuracy		-0.25		+0.25	dB

Notes: 14. Referenced to DTMF tone of lower amplitude.  
15. Flat Gaussian Noise in 300-3400Hz band.

C-BUS Timings (See Figure 14)		Notes	Min.	Typ.	Max.	Units
$t_{CSE}$	CSN-Enable to Clock-High time		100	-	-	ns
$t_{CSH}$	Last Clock-High to CSN-High time		100	-	-	ns
$t_{LOZ}$	Clock-Low to Reply Output enable time		0.0	-	-	ns
$t_{HIZ}$	CSN-High to Reply Output 3-state time		-	-	1.0	$\mu$ s
$t_{CSOFF}$	CSN-High Time between transactions		1.0	-	-	$\mu$ s
$t_{NXT}$	Inter-Byte Time		200	-	-	ns
$t_{CK}$	Clock-Cycle time		200	-	-	ns
$t_{CH}$	Serial Clock-High time		100	-	-	ns
$t_{CL}$	Serial Clock-Low time		100	-	-	ns
$t_{CDS}$	Command Data Set-Up time		75.0	-	-	ns
$t_{CDH}$	Command Data Hold time		25.0	-	-	ns
$t_{RDS}$	Reply Data Set-Up time		50.0	-	-	ns
$t_{RDH}$	Reply Data Hold time		0.0	-	-	ns

Maximum 30pF load on each C-BUS interface line.

Note: These timings are for the latest version of the C-BUS as embodied in the CMX867, and allow faster transfers than the original C-BUS timings given in CML Publication D/800/Sys/3 July 1994.

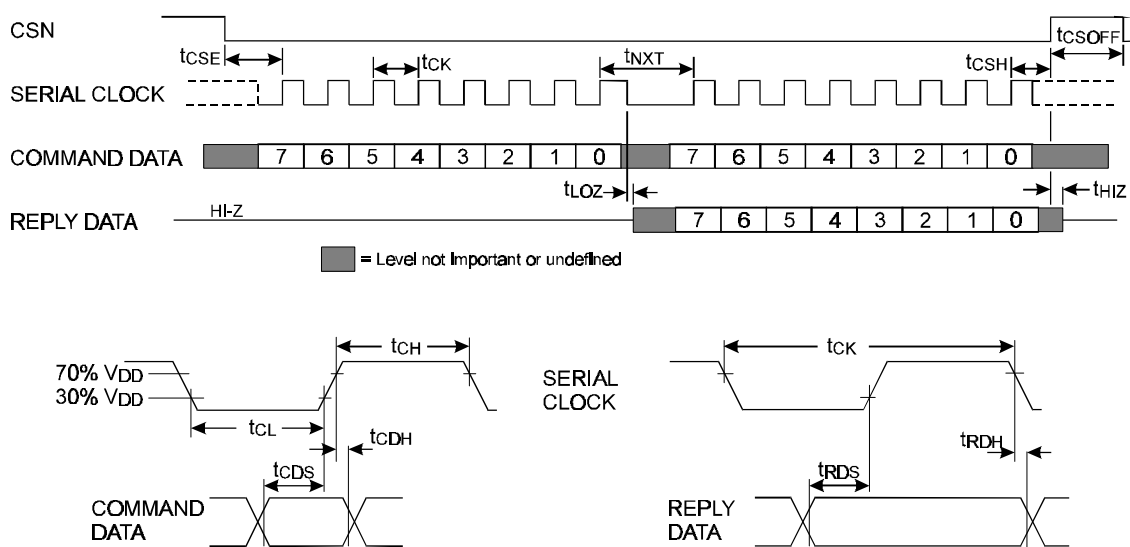


Figure 14 C-BUS Timing

1.7.2 Packaging

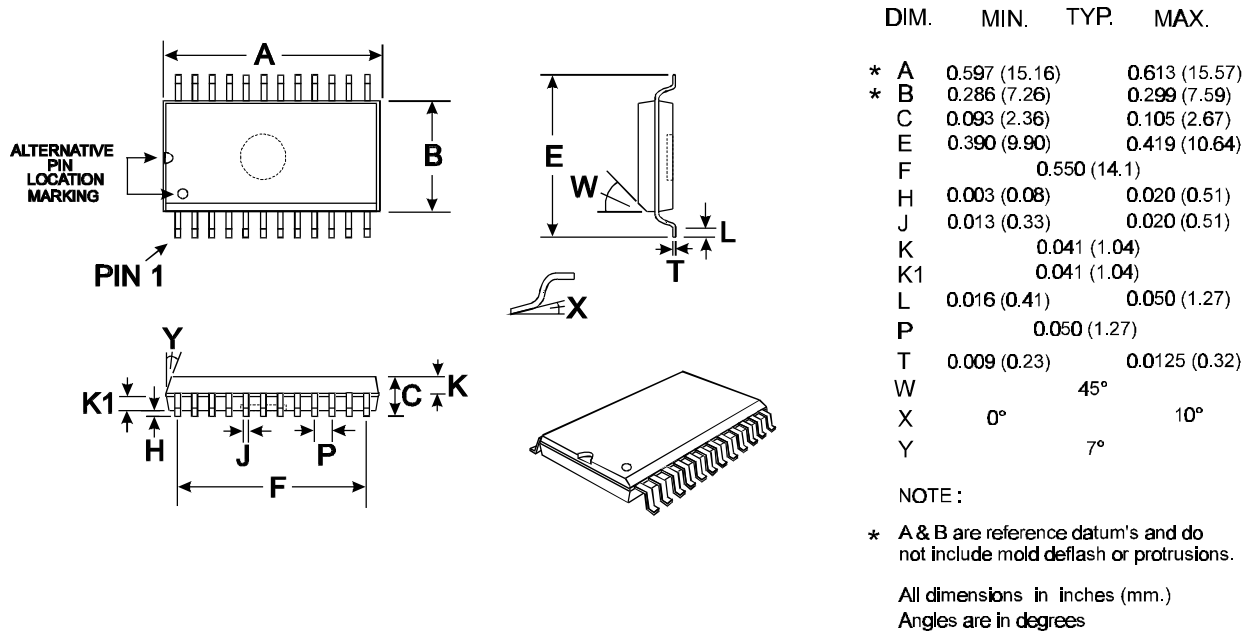


Figure 15a 24-pin SOIC (D2) Mechanical Outline: Order as part no. CMX867D2

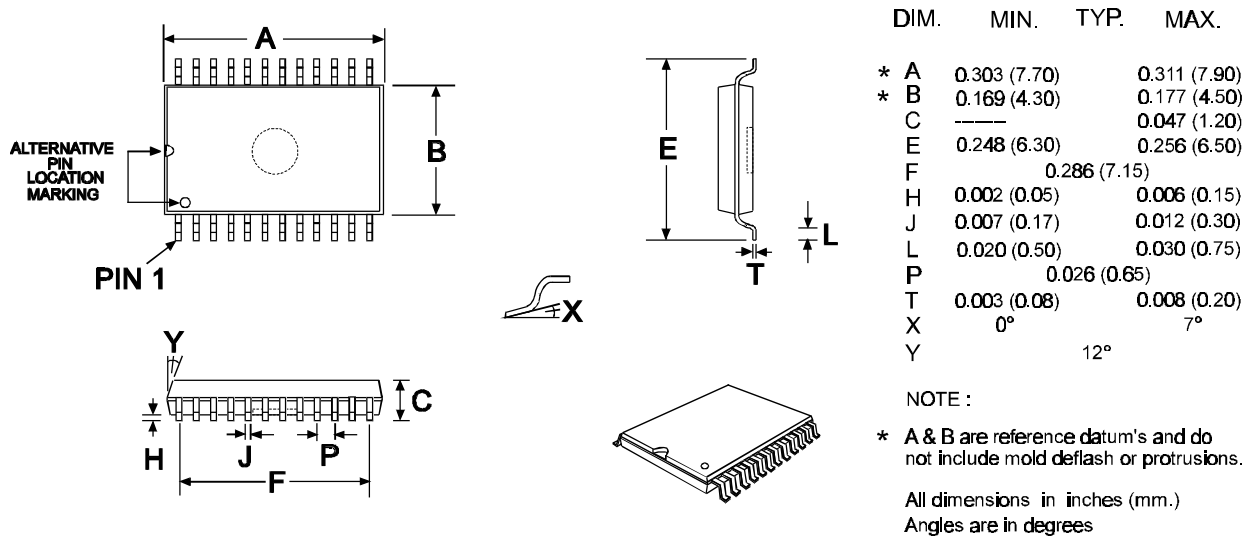
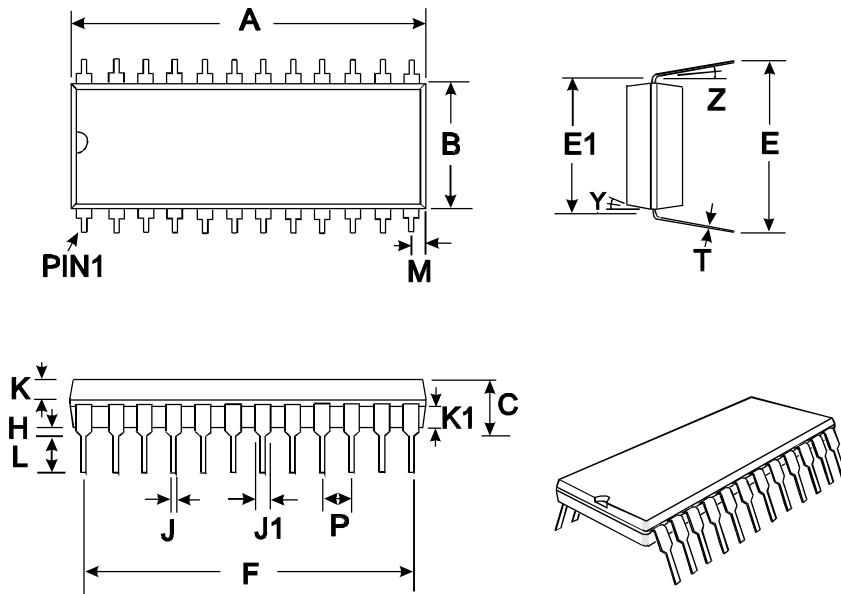


Figure 15b 24-pin TSSOP (E2) Mechanical Outline: Order as part no. CMX867E2



DIM.	MIN.	TYP.	MAX.
* A	1.200 (30.48)		1.270 (32.26)
* B	0.500 (12.70)		0.555 (14.10)
C	0.151 (3.84)		0.220 (5.59)
E	0.600 (15.24)		0.670 (17.02)
E1	0.590 (14.99)		0.625 (15.88)
F		1.10 (27.94)	
H	0.015 (0.38)		0.045 (1.14)
J	0.015 (0.38)		0.023 (0.58)
J1	0.040 (1.02)		0.065 (1.65)
K	0.066 (1.68)		0.074 (1.88)
K1	0.060 (1.52)		0.074 (1.88)
L	0.121 (3.07)		0.160 (4.06)
M		0.180 (4.58)	
P		0.100 (2.54)	
T	0.008 (0.20)		0.015 (0.38)
Y		7°	
Z		4°	

NOTE :

\* A & B are reference datum's and do not include mold deflash or protrusions.

All dimensions in inches (mm.)  
Angles are in degrees

Figure 15c 24-pin DIL (P4) Mechanical Outline: Order as part no. CMX867P4

Handling precautions: This product includes input protection, however, precautions should be taken to prevent device damage from electro-static discharge. CML does not assume any responsibility for the use of any circuitry described. No IPR or circuit patent licences are implied. CML reserves the right at any time without notice to change the said circuitry and this product specification. CML has a policy of testing every product shipped using calibrated test equipment to ensure compliance with this product specification. Specific testing of all circuit parameters is not necessarily performed.