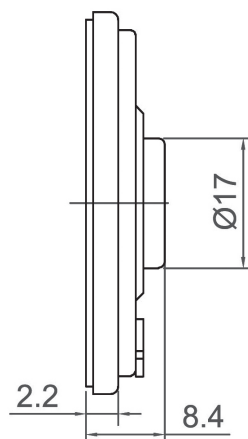
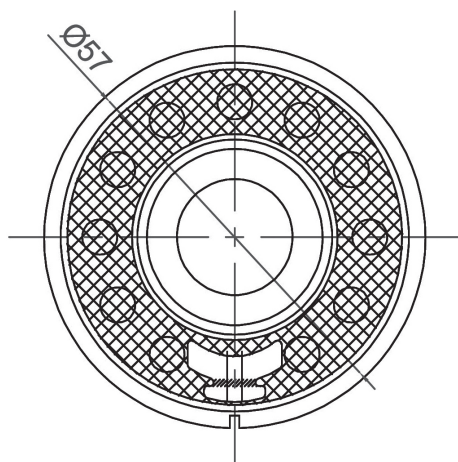


# Mylar Speaker



Series	Canopus Part no.	Diameter /Length (mm)	Width (mm)	Height (mm)	Sound Output (dB)	AC Impedance (Ω)	Rated Power (W)	Max. Power (W)	Resonance Frequency (f <sub>0</sub> ) (Hz)	Respose Frequency f <sub>0</sub> ~ (Hz)	Housing	Terminal	Weight (g)
CMY1302	CMY1302A090LW	φ13	-	2.4	88 ± 3	8 ± 10%	0.3	0.6	900	250 ~ 10K	LCP	Leadwire	0.7
CMY1303	CMY1303A090LS	φ13	-	3.5	90 ± 3	8 ± 15%	0.5	0.8	900	250 ~ 10K	LCP	Spring Contact	1.3
CMY1503	CMY1503A090TE	φ15	-	3.3	88 ± 3	8 ± 15%	0.5	0.8	900	700 ~ 12K	PBT	Plate	2
CMY1504A080AZ	CMY1504A080AZ	φ15	-	4.3	72 ± 3	8 ± 15%	0.25	0.5	800	20K	Metal	Solder Pad	1.6
CMY1504A080TE	CMY1504A080TE	φ15	-	3.9	88 ± 3	8 ± 15%	0.5	0.8	800	600 ~ 10K	PBT	Plate	1.6
CMY1504A080TW	CMY1504A080TW	φ15	-	3.7	90 ± 3	8 ± 15%	0.5	1	800	700 ~ 12K	PBT	Leadwire	1.2
CMY1703	CMY1703A080LZ	φ17	-	3.4	90 ± 3	8 ± 15%	0.1	1	800	250 ~ 10K	LCP	Solder Pad	1.5
	CMY1703A080LWO	17	13	3.35	87 ± 3	8 ± 15%	0.8	1	800	250 ~ 10K	LCP	Leadwire	1.3
CMY1704	CMY1704A075TW	φ17	-	3.7	89 ± 3	8 ± 15%	0.65	1	750	600 ~ 12K	PBT	Leadwire	1.5
	CMY1704A080TW	φ17	-	3.7	89 ± 3	8 ± 15%	0.5	0.8	800	700 ~ 12K	PBT	Leadwire	1.5
CMY1803	CMY1803A070LZ	φ18	-	2.7	88 ± 3	8 ± 15%	0.8	1	700	10K	LCP	Solder Pad	1.25
CMY1803-0	CMY1803A085LZO	18	13	3.5	89 ± 3	8 ± 15%	0.8	1	850	200 ~ 10K	LCP	Solder Pad	1.3
CMY1804-0	CMY1804A095TSO	18	10	3.8	88 ± 3	8 ± 15%	0.5	0.75	950	700 ~ 12K	PBT	Spring Contact	1.3
CMY2003	CMY2003A060AZ	φ20	-	3	85 ± 3	8 ± 15%	0.4	0.8	600	20K	Metal	Solder Pad	2.4
	CMY2003A080AZ	φ20	-	3	80 ± 3	8 ± 15%	0.3	0.5	800	20K	Metal	Solder Pad	2.4
CMY2005	CMY2005A070AZ	φ23	-	5.5	82 ± 3	8 ± 15%	0.5	1	700	20K	Metal	Solder Pad	8.4
CMY2705	CMY2705C070BZ	φ27	-	5	88 ± 3	32 ± 15%	0.25	0.5	700	5K	ABS	Solder Pad	4.5
CMY2805	CMY2805A070AZ	φ28	-	4.9	83 ± 3	8 ± 15%	1	1.5	700	10K	Metal	Solder Pad	5.8
CMY3005	CMY3005A065AZ	φ30	-	4.8	82 ± 3	8 ± 15%	0.5	1	650	6K	Metal	Solder Pad	5.2
CMY3605	CMY3605A050AZ	φ36	-	4.9	90 ± 3	8 ± 15%	0.5	0.8	500	10K	Metal	Solder Pad	8.6
CMY4005	CMY4005A060AZ	φ40	-	5	96 ± 3	8 ± 15%	1	1.5	600	15K	Metal	Solder Pad	9.1
	CMY4005B060AZ	φ40	-	5	85 ± 3	16 ± 15%	1	1.5	600	5.5K	Metal	Solder Pad	9.1
CMY4505	CMY4505A045AZ	φ45	-	5	83 ± 3	8 ± 15%	1	1.5	450	6K	Metal	Solder Pad	10.8
CMY5008	CMY5008A050AZ	φ50	-	7.6	84 ± 3	8 ± 15%	1	2	500	20K	Metal	Solder Pad	13.2
CMY5708	CMY5708A035AZ	φ57	-	8.4	86.6 ± 3	8 ± 15%	0.5	0.8	350	20K	Metal	Solder Pad	16.3
CMY2008	CMY2008A075LWO	20	14	3.7	87 ± 3	8 ± 15%	0.5	1	750	10K	LCP	Leadwire	1

CANOPUS

Your Efficient Supplier  
[www.canopus.com.hk](http://www.canopus.com.hk)

TEL.: (852) 2806 2812

Fax: (852) 2652 2216